

INTRODUCTION

Thank you for purchasing a Honda engine. We want to help you get the best results from your new engine and operate it safely. This manual contains information on how to do that; please read it carefully before operating the engine. If a problem should arise, or if you have any questions about your engine, consult an authorized Honda servicing dealer.


All information in this publication is based on the latest product information available at the time of printing. American Honda Motor Co., Inc. reserves the right to make changes at any time without notice and without incurring any obligation. No part of this publication may be reproduced without written permission.

This manual should be considered a permanent part of the engine and should remain with the engine if resold.


Review the instructions provided with the equipment powered by this engine for any additional information regarding engine startup, shutdown, operation, adjustments, or any special maintenance instructions.


SAFETY MESSAGES


Your safety and the safety of others are very important. We have provided important safety messages in this manual and on the engine. Please read these messages carefully.

A safety message alerts you to potential hazards that could hurt you or others. Each safety message is preceded by a safety alert symbol  and one of three words, DANGER, WARNING, or CAUTION.

These signal words mean:

 **DANGER** You WILL be KILLED or SERIOUSLY HURT if you don't follow instructions.

 **WARNING** You CAN be KILLED or SERIOUSLY HURT if you don't follow instructions.


 **CAUTION** You CAN be HURT if you don't follow instructions.

Each message tells you what the hazard is, what can happen, and what you can do to avoid or reduce injury.

DAMAGE PREVENTION MESSAGES

You will also see other important messages that are preceded by the word NOTICE.

This word means:

 **NOTICE** Your engine or other property can be damaged if you don't follow instructions.

The purpose of these messages is to help prevent damage to your engine, other property, or the environment.

© 2003–2009 American Honda Motor Co., Inc.—All Rights Reserved

31Z8B024
00X31-Z8B-0240



POM31Z8B024
IPC.170000.2009.08
PRINTED IN U.S.A.

ENGLISH

HONDA

OWNER'S MANUAL MANUEL DE L'UTILISATEUR MANUAL DEL PROPIETARIO

GCV160 • GCV190



WARNING:



The engine exhaust from this product contains chemicals known to the State of California to cause cancer, birth defects, or other reproductive harm.

CONTENTS

INTRODUCTION	1
SAFETY MESSAGES	1
SAFETY INFORMATION	2
BEFORE OPERATION CHECKS	3
OPERATION	3
SAFE OPERATING PRECAUTIONS	3
TYPE 1: FLYWHEEL BRAKE/REMOTE THROTTLE	4
TYPE 2: MANUAL CHOKE/MANUAL THROTTLE	5
TYPE 3: FLYWHEEL BRAKE/REMOTE CHOKE/FIXED THROTTLE	5
TYPE 4: AUTOMATIC CHOKE RETURN/FIXED THROTTLE	5
TYPE 5: MANUAL CHOKE/FIXED THROTTLE	6
TYPE 6: REMOTE THROTTLE/BLADE BRAKE CLUTCH	6
TYPE 7: ELECTRIC START WITH ENGINE-MOUNTED STARTER SWITCH/ MANUAL CHOKE CONTROL/FIXED THROTTLE	6
TYPE 8: AUTOMATIC CHOKE/FIXED THROTTLE	7
TYPE 9: AUTOMATIC CHOKE/REMOTE THROTTLE/ FLYWHEEL BRAKE	7
TYPE 10: AUTOMATIC CHOKE/REMOTE THROTTLE/ BLADE BRAKE CLUTCH (equipment control)	7
SERVICING YOUR ENGINE	8
MAINTENANCE SCHEDULE	8
REFUELING	8
Recommended Oil	9
AIR CLEANER	9
SPARK PLUG	10
FLYWHEEL BRAKE INSPECTION	10
SPARK ARRESTER (optional equipment)	11
STORING YOUR ENGINE	11
TRANSPORTING	12
TAKING CARE OF UNEXPECTED PROBLEMS	12
TECHNICAL INFORMATION	13
CONSUMER INFORMATION	16
International Warranty Information	last page

ENGLISH

FRANÇAIS

ESPAÑOL

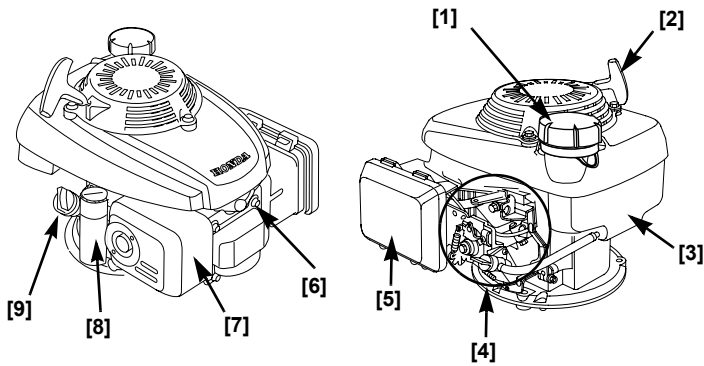
185854

SAFETY INFORMATION

- Understand the operation of all controls and learn how to stop the engine quickly in case of emergency. Make sure the operator receives adequate instruction before operating the equipment.
- Do not allow children to operate the engine. Keep children and pets away from the area of operation.
- Your engine's exhaust contains poisonous carbon monoxide. Do not run the engine without adequate ventilation, and never run the engine indoors.
- The engine and exhaust become very hot during operation. Keep the engine at least 1 meter (3 feet) away from buildings and other equipment during operation. Keep flammable materials away, and do not place anything on the engine while it is running.

IDENTIFICATION: COMPONENTS AND CONTROLS

COMPONENT LOCATION

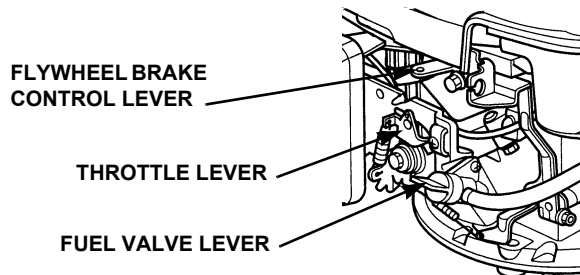


1	Fuel filler cap
2	Starter grip
3	Fuel tank
4	Control location*
5	Air cleaner
6	Spark plug
7	Muffler
8	Starter motor (if equipped)
9	Oil filler cap/dipstick

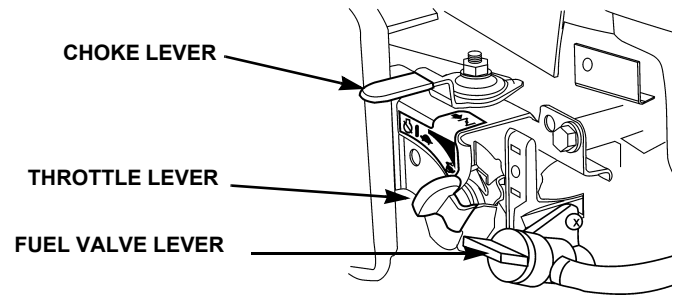
* The engine control area differs based on the engine type. Refer to the individual diagrams below to determine your engine control type when reading the *Operation* section and other sections in this manual.

CONTROL LOCATION

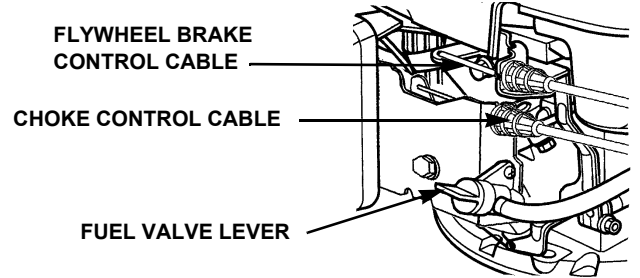
TYPE 1: FLYWHEEL BRAKE/REMOTE THROTTLE



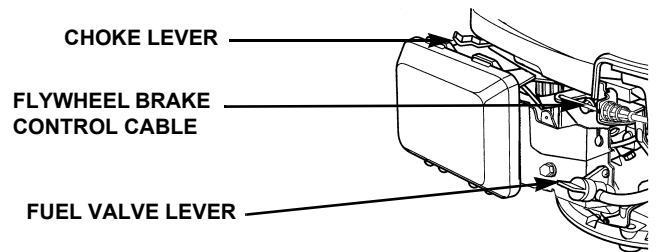
TYPE 2: MANUAL CHOKE/MANUAL THROTTLE



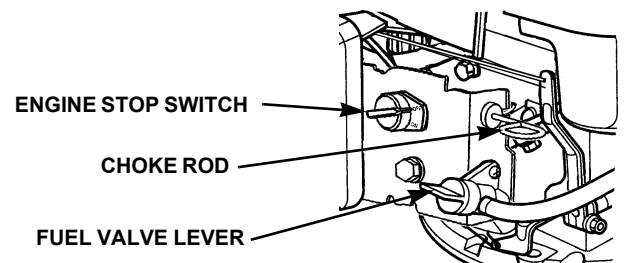
TYPE 3: FLYWHEEL BRAKE/REMOTE CHOKE/FIXED THROTTLE



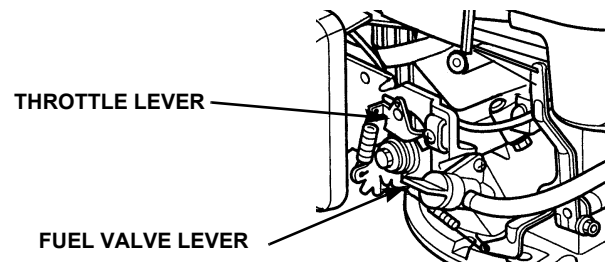
TYPE 4: AUTOMATIC RETURN CHOKE/FIXED THROTTLE



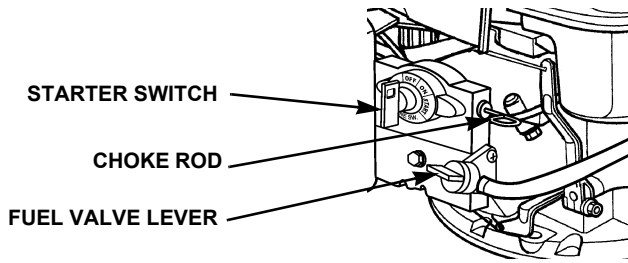
TYPE 5: MANUAL CHOKE/FIXED THROTTLE



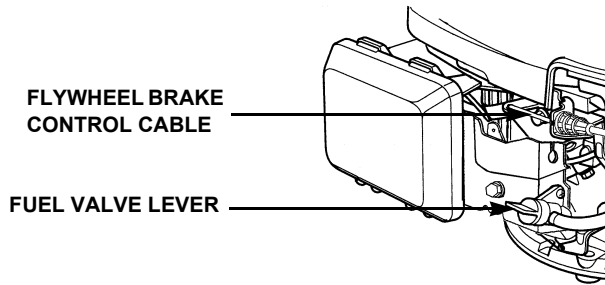
TYPE 6: REMOTE THROTTLE/BLADE BRAKE CLUTCH (equipment control)



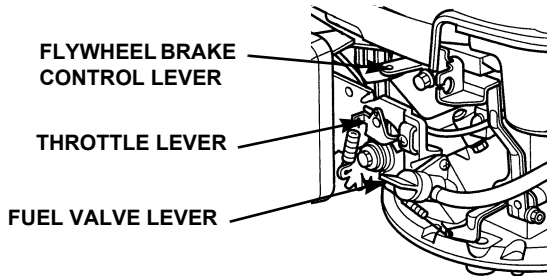
TYPE 7: ELECTRIC START WITH ENGINE-MOUNTED STARTER SWITCH/MANUAL CHOKE CONTROL/FIXED THROTTLE



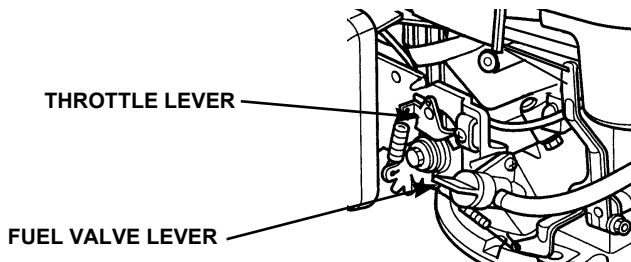
TYPE 8: AUTOMATIC CHOKE/FIXED THROTTLE



TYPE 9: AUTOMATIC CHOKE/REMOTE THROTTLE/FLYWHEEL BRAKE



TYPE 10: AUTOMATIC CHOKE/REMOTE THROTTLE/BLADE BRAKE CLUTCH (equipment control)



BEFORE OPERATION CHECKS

IS YOUR ENGINE READY TO GO?

For your safety, and to maximize the service life of your equipment, it is very important to take a few moments before you operate the engine to check its condition. Be sure to take care of any problem you find, or have your servicing dealer correct it, before you operate the engine.

⚠ WARNING

Improperly maintaining this engine, or failure to correct a problem before operation, can cause a malfunction in which you can be seriously hurt or killed. Always perform a preoperation inspection before each operation, and correct any problem.

Before beginning your preoperation checks, be sure the engine is level and the flywheel brake lever (*type 2*: throttle lever, *type 5*: engine stop switch) is in the STOP or OFF position.

Always check the following items before you start the engine:

1. Fuel level (page 8).
2. Oil level (page 9).
3. Air cleaner (page 9).
4. General inspection: Check for fluid leaks and loose or damaged parts.
5. Check the equipment powered by this engine.

Review the instructions provided with the equipment powered by this engine for any precautions and procedures that should be followed before engine startup.

OPERATION

SAFE OPERATING PRECAUTIONS

Before operating the engine for the first time, please review the *SAFETY INFORMATION* section on page 2 and the *BEFORE OPERATION CHECKS* above.

For your safety, do not operate the engine in an enclosed area such as a garage. Your engine's exhaust contains poisonous carbon monoxide gas that can collect rapidly in an enclosed area and cause illness or death.

⚠ WARNING

Exhaust contains poisonous carbon monoxide gas that can build up to dangerous levels in closed areas. Breathing carbon monoxide can cause unconsciousness or death. Never run the engine in a closed or even partially closed area where people may be present.

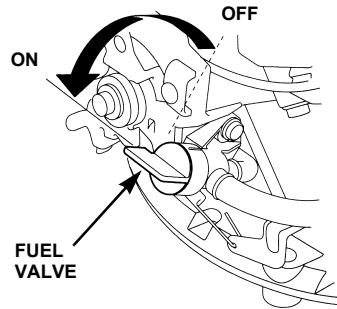
Review the instructions provided with the equipment powered by this engine for any safety precautions that should be observed with engine startup, shutdown, or operation.

Do not operate the engine on slopes greater than 20°.

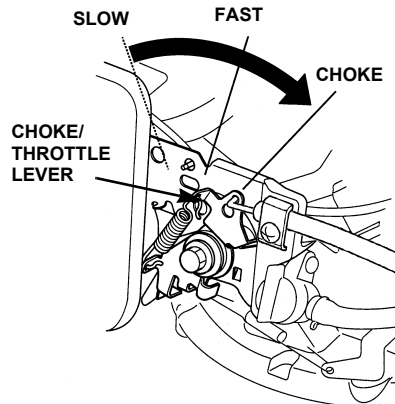
TYPE 1: FLYWHEEL BRAKE/REMOTE THROTTLE

Starting the Engine

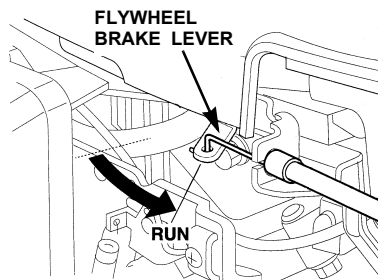
1. Turn the fuel valve to the ON position.



2. See equipment manual and position the throttle control so the choke/throttle lever moves to the CHOKE position (cold engine).



3. See equipment manual and position the flywheel brake control so the flywheel brake lever is in the RUN position.

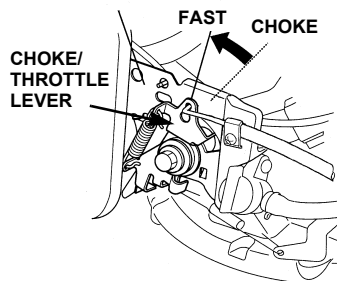
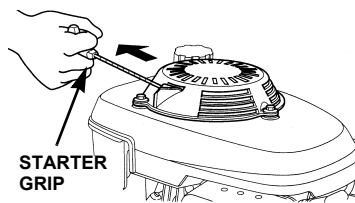


4. Pull the starter grip lightly until resistance is felt, then pull briskly.

NOTICE

Do not allow the starter grip to snap back against the engine. Return it gently to prevent damage to the starter.

5. If the choke was used to start the engine, move the choke/throttle lever to the FAST (or high) position as soon as the engine warms up enough to run smoothly without use of the choke.

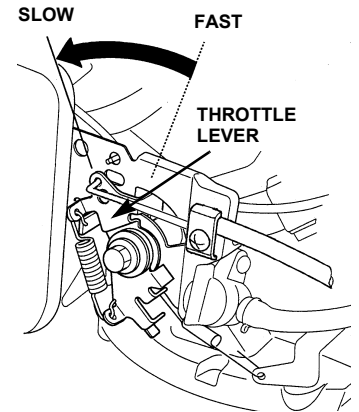


Throttle Setting

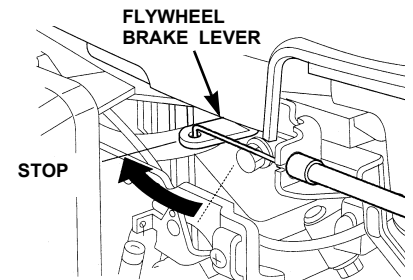
Position the throttle control for the desired engine speed. For best engine performance, it is recommended the engine be operated with the throttle in the FAST (or high) position.

Stopping the Engine

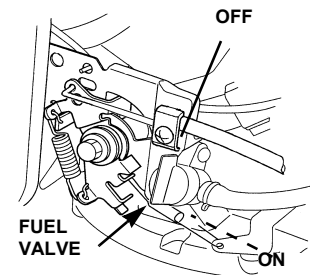
1. Move the choke/throttle control to the SLOW position.



2. Release the flywheel brake lever to stop the engine.



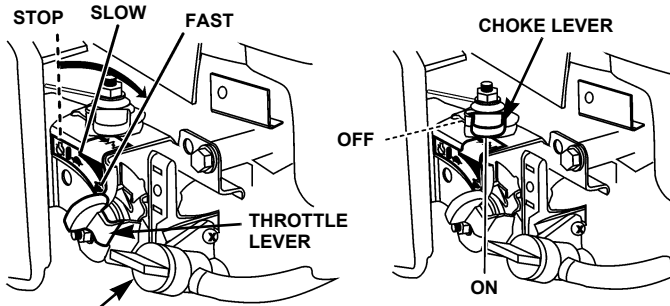
3. Turn the fuel valve to the OFF position.



TYPE 2: MANUAL CHOKE/MANUAL THROTTLE

Starting the Engine

1. Turn the fuel valve to the ON position.
2. Move the choke lever to the ON position (cold engine).
3. Move the throttle lever to the FAST position.



4. Pull the starter grip lightly until resistance is felt, then pull briskly (see TYPE 1 step 4 on page 4).
5. If the choke was used to start the engine, move the choke lever to the OFF position as soon as the engine warms up enough to run smoothly without use of the choke.
6. Position the throttle lever for the desired engine speed. For best engine performance, it is recommended the engine be operated with the throttle in the FAST (or high) position.

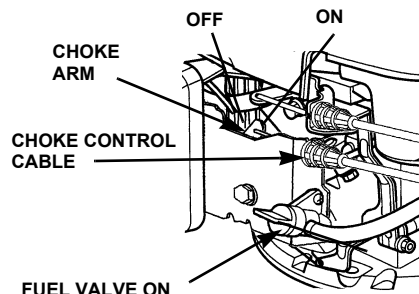
Stopping the Engine

1. Move the throttle lever to the SLOW position and allow the engine to idle for a few seconds.
2. Move the throttle lever to the STOP position.
3. Turn the fuel valve to the OFF position.

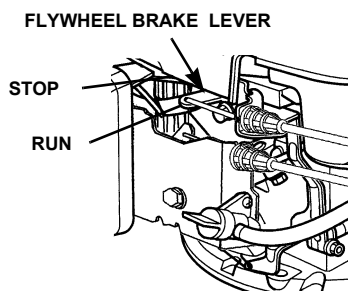
TYPE 3: FLYWHEEL BRAKE/REMOTE CHOKE/FIXED THROTTLE

Starting the Engine

1. Turn the fuel valve to the ON position.
2. Move the choke control cable (see equipment manual) so that the choke arm moves to the choke ON position (cold engine).



3. Move the flywheel brake lever to the RUN position.
4. Pull the starter grip lightly until resistance is felt, then pull briskly (see TYPE 1 step 4 on page 4).
5. If the choke was used to start the engine, move the choke control cable so that the choke arm moves to the OFF position as soon as the engine warms up enough to run smoothly without use of the choke.



The engine speed is preset on this type.

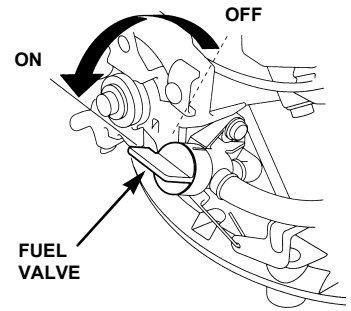
Stopping the Engine

1. Release the flywheel brake lever to stop the engine.
2. Turn the fuel valve to the OFF position.

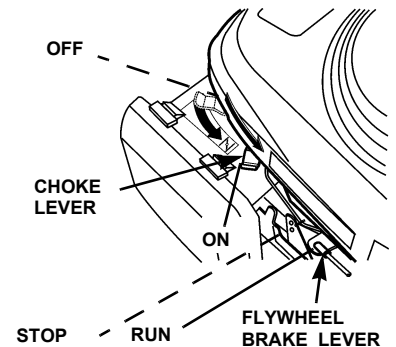
TYPE 4: AUTOMATIC CHOKE RETURN/FIXED THROTTLE

Starting the Engine

1. Turn the fuel valve to the ON position.



2. Move the choke lever to the choke position (N) (cold engine).
3. Move the flywheel brake lever to the RUN position. The choke lever automatically begins moving to the OFF position when the flywheel brake lever is moved to the RUN position.
4. Start the engine.



Recoil Starter Types

Pull the starter grip lightly until resistance is felt, then pull briskly (see TYPE 1 Step 4 on page 4). Begin pulling the recoil starter as soon as you move the flywheel brake lever to the RUN position and the choke starts moving to the OFF position.

If the engine does not start before the choke moves to the OFF position, repeat steps 2 and 3, then continue starting.

Electric Starter Types

Turn the starter switch (located on equipment) to the START position, and hold it there until the engine starts. When the engine starts, allow the engine switch to return to its normal position.

NOTICE

Do not use the starter for more than 5 seconds or starter motor damage may occur. If the engine fails to start, release the switch and wait 10 seconds before operating the starter again.

If the engine does not start before the choke moves to the OFF position, repeat steps 2 and 3, then continue starting.

The throttle is preset on this type.

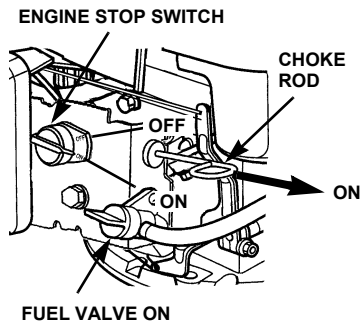
Stopping the Engine

1. Release the flywheel brake lever to activate the flywheel brake and stop the engine.
2. Turn the fuel valve to the OFF position.

TYPE 5: MANUAL CHOKE/FIXED THROTTLE

Starting the Engine

1. Turn the fuel valve to the ON position.
2. Pull the choke rod to the ON position (cold engine).
3. Turn the engine stop switch to the ON position.
4. Pull the starter grip lightly until resistance is felt, then pull briskly (see TYPE 1 Step 4 on page 4).
5. If the choke was used to start the engine, move the choke rod to the OFF position as soon as the engine warms up enough to run smoothly without use of the choke.



The engine speed is preset on this type.

Stopping the Engine

1. Move the engine switch to the OFF position.
2. Turn the fuel valve to the OFF position.

TYPE 6: REMOTE THROTTLE/BLADE BRAKE CLUTCH (equipment control)

Starting the Engine

1. Turn the fuel valve to the ON position.
2. Move the choke/throttle/stop lever to the CHOKE position (cold engine) or FAST (warm engine).

Make sure the blade control lever is disengaged (see equipment manual).

3. Start the engine.

Recoil Starter Types

Pull the starter grip lightly until resistance is felt, then pull briskly (see TYPE 1 Step 4 on page 4).

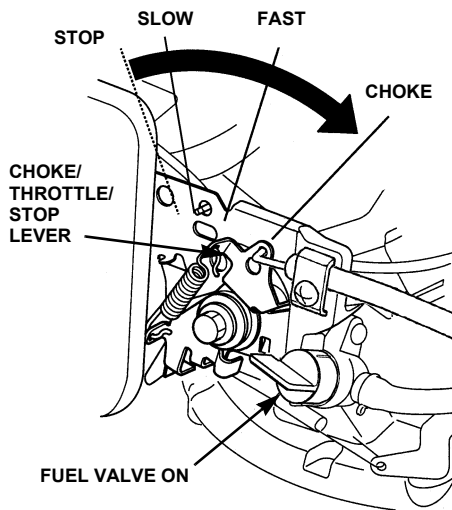
Electric Starter Types

Turn the starter switch (located on equipment) to the START position, and hold it there until the engine starts. When the engine starts, allow the engine switch to return to its normal position.

NOTICE

Do not use the starter for more than 5 seconds or starter motor damage may occur. If the engine fails to start, release the switch and wait 10 seconds before operating the starter again.

4. As soon as the engine starts, slowly move the choke/throttle/stop lever to the FAST position.
5. Allow the engine to warm to operating temperature, then engage the blade control lever (see equipment manual).



Throttle Setting

Position the choke/throttle/stop lever for the desired engine speed. For best engine performance, it is recommended the engine be operated with the choke/throttle/stop lever in the FAST (or high) position.

Stopping the Engine

1. Disengage the blade brake clutch control lever (see equipment manual).
2. Move the choke/throttle/stop lever to the SLOW position and allow the engine to idle for a few seconds.
3. Move the choke/throttle/stop lever to the STOP position.
4. Turn the fuel valve to the OFF position.

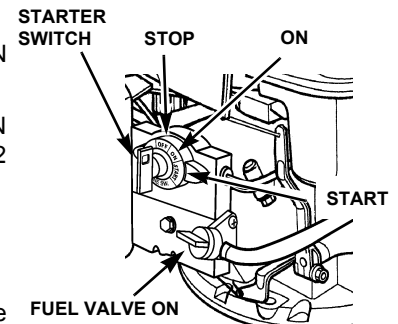
TYPE 7: ELECTRIC START WITH ENGINE-MOUNTED STARTER SWITCH/ MANUAL CHOKE CONTROL/FIXED THROTTLE

Starting the Engine

1. Turn the fuel valve to the ON position.
2. Pull the choke rod to the ON position (see TYPE 5 Step 2 on page 6) (cold engine).
3. Start the engine.

Electric Starter Types

Turn the starter switch to the START position and hold it there until the engine starts. When the engine starts, allow the starter switch to return to the ON position.



NOTICE

Do not use the starter for more than 5 seconds or starter motor damage may occur. If the engine fails to start, release the switch and wait 10 seconds before operating the starter again.

Recoil Starter Types

- a. Turn the starter switch to the RUN position.
 - b. Pull the starter grip lightly until resistance is felt, then pull briskly (see TYPE 1 Step 4 on page 4).
4. If the choke was used to start the engine, move the choke rod to the OFF position as soon as the engine warms up enough to run smoothly without use of the choke.

The engine speed is preset on this type.

Stopping the Engine

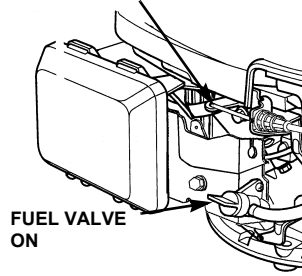
1. Move the starter switch to the STOP position.
2. Turn the fuel valve to the OFF position.

TYPE 8: AUTOMATIC CHOKE/FIXED THROTTLE

Starting the Engine

1. Turn the fuel valve to the ON position.
2. Move the flywheel brake lever to the RUN position.
3. Pull the starter grip lightly until resistance is felt, then pull briskly (see TYPE 1 Step 4 on page 4).

FLYWHEEL BRAKE CONTROL CABLE



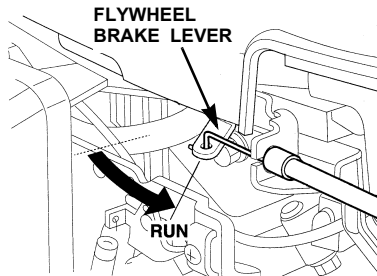
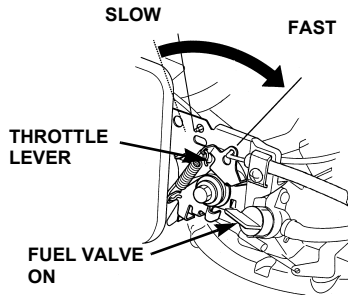
Stopping the Engine

1. Release the flywheel brake lever to activate the flywheel brake and stop the engine.
2. Turn the fuel valve to the OFF position.

TYPE 9: AUTOMATIC CHOKE/REMOTE THROTTLE/FLYWHEEL BRAKE

Starting the Engine

1. Turn the fuel valve to the ON position.
2. Position the throttle control so the throttle lever moves to the FAST position (see the equipment manual).
3. Position the flywheel brake control so the flywheel brake lever is in the RUN position (see the equipment manual).



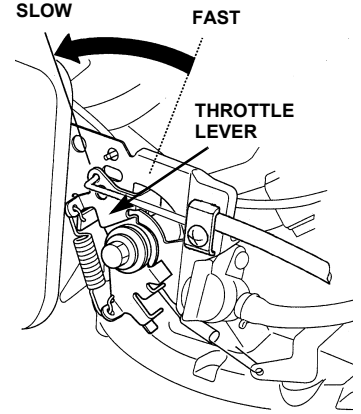
4. Pull the starter grip lightly until resistance is felt, then pull briskly (see TYPE 1 Step 4 on page 4).

Throttle Setting

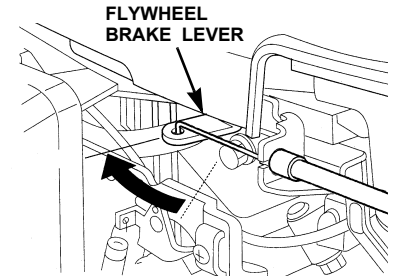
Position the throttle control for the desired engine speed. For best engine performance, it is recommended the engine be operated with the throttle in the FAST (or high) position.

Stopping The Engine

1. Move the throttle control to the SLOW position.



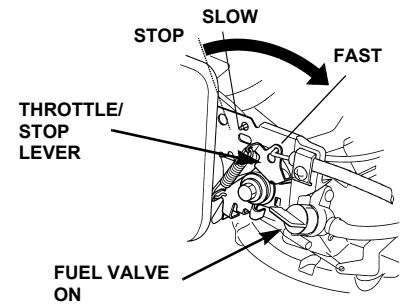
2. Release the flywheel brake lever to stop the engine.
3. Turn the fuel valve to the OFF position.



TYPE 10: AUTOMATIC CHOKE/REMOTE THROTTLE/BLADE BRAKE CLUTCH (equipment control)

Starting the Engine

1. Turn the fuel valve to the ON position.
2. Position the throttle control so the throttle lever moves to the FAST position (see the equipment manual).
3. Make sure the blade control lever is disengaged (see equipment manual).
4. Pull the starter grip lightly until resistance is felt, then pull briskly (see TYPE 1 Step 4 on page 4).



Throttle Setting

Position the throttle/stop control for the desired engine speed. For best engine performance, it is recommended the engine be operated with the throttle/stop lever in the FAST (or high) position.

Stopping the Engine

1. Disengage the blade brake clutch control lever (see equipment manual).
2. Move the throttle/stop control to the SLOW position and allow the engine to idle for a few seconds.
3. Move the throttle/stop lever to the STOP position.
4. Turn the fuel valve to the OFF position.

SERVICING YOUR ENGINE

THE IMPORTANCE OF MAINTENANCE

Good maintenance is essential for safe, economical and trouble-free operation. It will also help reduce pollution.

WARNING

Improper maintenance, or failure to correct a problem before operation, can cause a malfunction in which you can be seriously hurt or killed.

Always follow the inspection and maintenance recommendations and schedules in this owner's manual.

To help you properly care for your engine, the following pages include a maintenance schedule, routine inspection procedures, and simple maintenance procedures using basic hand tools. Other service tasks that are more difficult, or require special tools, are best handled by professionals and are normally performed by a Honda technician or other qualified mechanic.

The maintenance schedule applies to normal operating conditions. If you operate your engine under severe conditions, such as sustained high-load or high-temperature operation, or use in unusually wet or dusty conditions, consult your servicing dealer for recommendations applicable to your individual needs and use.

Remember that an authorized Honda servicing dealer knows your engine best and is fully equipped to maintain and repair it.

To ensure the best quality and reliability, use only new Honda Genuine parts or their equivalents for repair and replacement.

Maintenance, replacement, or repair of the emission control devices and systems may be performed by any engine repair establishment or individual, using parts that are "certified" to EPA standards.

MAINTENANCE SAFETY

Some of the most important safety precautions follow. However, we cannot warn you of every conceivable hazard that can arise in performing maintenance. Only you can decide whether or not you should perform a given task.

WARNING

Failure to properly follow maintenance instructions and precautions can cause you to be seriously hurt or killed.

Always follow the procedures and precautions in this owner's manual.

SAFETY PRECAUTIONS

- Make sure the engine is off before you begin any maintenance or repairs. This will eliminate several potential hazards:
 - **Carbon monoxide poisoning from engine exhaust.**
Be sure there is adequate ventilation whenever you operate the engine.
 - **Burns from hot parts.**
Let the engine and exhaust system cool before touching.
 - **Injury from moving parts.**
Do not run the engine unless instructed to do so.
- Read the instructions before you begin, and make sure you have the tools and skills required.
- To reduce the possibility of fire or explosion, be careful when working around gasoline. Use only a nonflammable solvent, not gasoline, to clean parts. Keep cigarettes, sparks and flames away from all fuel related parts.

MAINTENANCE SCHEDULE

Item (1)	Action	Before Each Use	First Month or 5 Hrs.	Every Season		Every 100 Hrs.	Every 150 Hrs.	Page	
				or 25 Hrs.	or 50 Hrs.				
Engine oil	Check	O						9	
	Change		O		O (3)			9	
Air cleaner	Check	O			O			9	
	Clean			O (2)					
	Replace						O (200 Hrs.)		
Spark plug	Check-Adjust				O			10	
	Replace						O (200 Hrs.)		
Blade brake clutch	Check					O		*	
Flywheel brake pad	Check				O			10	
Spark arrester (optional)	Clean					O		11	
Idle speed	Adjust						O (4)	Shop manual	
Fuel tank and filter	Check					O (4)		Shop manual	
Valve clearance	Check-Adjust					O (4)		Shop manual	
Fuel line	Check	Every 2 years (4)							Shop manual
Combustion chamber	Clean	After every 250 hours (4)							Shop manual

- (1) For commercial use, log hours of operation to determine proper maintenance intervals.
- (2) Service more frequently when used in dusty areas.
- (3) Change engine oil every 25 hours when used under heavy load or in high ambient temperatures.
- (4) These items should be serviced by an authorized Honda servicing dealer, unless you have the proper tools and are mechanically proficient. Refer to the Honda shop manual for service procedures.

* See your equipment manual or Honda engine shop manual. Failure to follow this maintenance schedule could result in non-warrantable failures.

REFUELING

This engine is certified to operate on unleaded gasoline with a pump octane rating of 86 or higher.

Refuel in a well-ventilated area with the engine stopped. If the engine has been running, allow it to cool first. Never refuel the engine inside a building where gasoline fumes may reach flames or sparks.

You may use regular unleaded gasoline containing no more than 10% ethanol (E10) or 5% methanol by volume. In addition, methanol must contain cosolvents and corrosion inhibitors. Use of fuels with content of ethanol or methanol greater than shown above may cause starting and/or performance problems. It may also damage metal, rubber, and plastic parts of the fuel system. Engine damage or performance problems that result from using a fuel with percentages of ethanol or methanol greater than shown above are not covered by warranty.

If your equipment will be used on an infrequent or intermittent basis, please refer to the fuel section of the STORAGE chapter (page 11) for additional information regarding fuel deterioration.

WARNING

Gasoline is highly flammable and explosive, and you can be burned or seriously injured when refueling.

- Stop engine and keep heat, sparks, and flame away.
- Refuel only outdoors.
- Wipe up spills immediately.

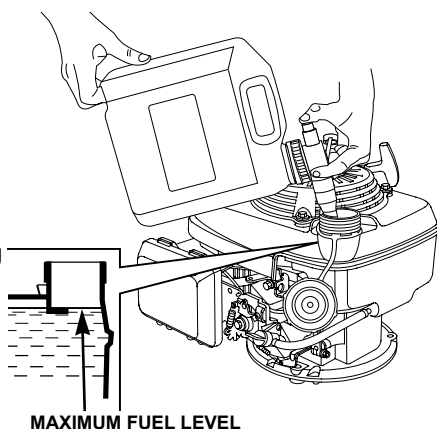
NOTICE

Fuel can damage paint and some types of plastic. Be careful not to spill fuel when filling your fuel tank. Damage caused by spilled fuel is not covered under your Distributor's Limited Warranty.

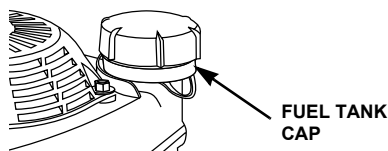
Never use stale or contaminated gasoline or oil/gasoline mixture. Avoid getting dirt or water in the fuel tank.

Adding Fuel

1. Remove the fuel tank cap.
2. Add fuel to the bottom of the fuel level limit in the neck of the fuel tank. Do not overfill. Wipe up spilled fuel before starting the engine.



3. Install the fuel tank cap and tighten it until it clicks.
4. Move at least 10 feet (3 meters) away from the fueling source and site before starting the engine.

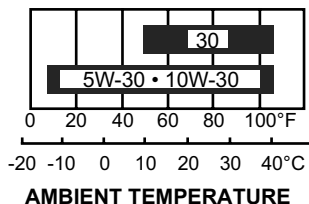


ENGINE OIL

Oil is a major factor affecting performance and service life. Use 4-stroke automotive detergent oil. Always change the oil in accordance with the maintenance schedule (page 8).

Recommended Oil

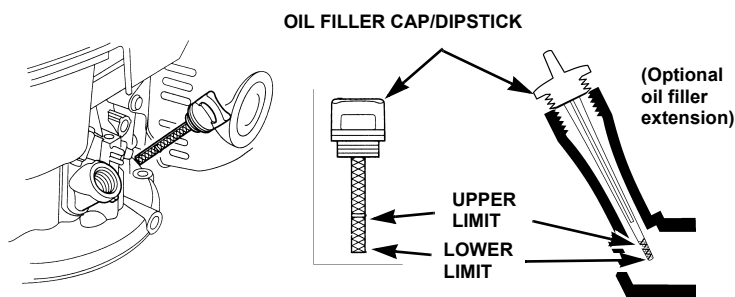
Use 4-stroke motor oil that meets or exceeds the requirements for API service category SJ or later. Always check the API service label on the oil container to be sure it includes the letters SJ or later.



SAE 10W-30 is recommended for general use. Other viscosities shown in the chart may be used when the average temperature in your area is within the indicated range.

Oil Level Check

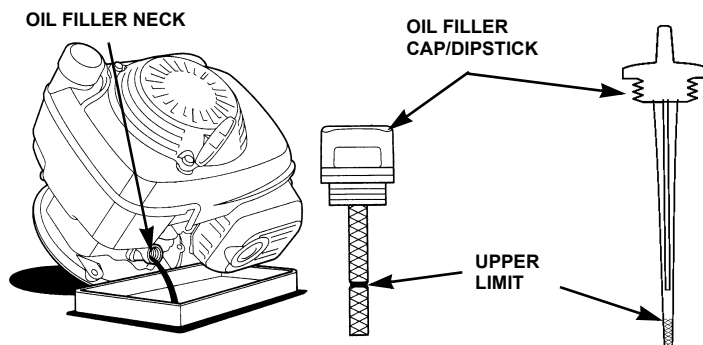
1. Check the oil with the engine stopped and level.
2. Remove the oil filler cap/dipstick and wipe it clean.



3. Insert the oil filler cap/dipstick into the oil filler neck as shown, but do not screw it in, then remove it to check the oil level.
4. If the oil level is near or below the lower limit mark on the dipstick, remove the oil filler cap/dipstick, and fill with the recommended oil to the upper limit mark. Do not overfill.
5. Reinstall the oil filler cap/dipstick.

Oil Change

Drain the engine oil when the engine is warm. Warm oil drains quickly and completely.



1. Turn the fuel valve to the OFF position to reduce the possibility of fuel leakage.
2. Place a suitable container next to the engine to catch the used oil.
3. Remove the oil filler cap/dipstick and drain the oil into the container by tipping the engine toward the oil filler neck.

Please dispose of used motor oil in a manner that is compatible with the environment. We suggest you take used oil in a sealed container to your local recycling center or service station for reclamation. Do not throw it in the trash, pour it on the ground, or pour it down a drain.

4. With the engine in a level position, fill to the upper limit mark on the dipstick with the recommended oil.

NOTICE

Running the engine with a low oil level can cause engine damage.

5. Reinstall the oil filler cap/dipstick securely.

AIR CLEANER

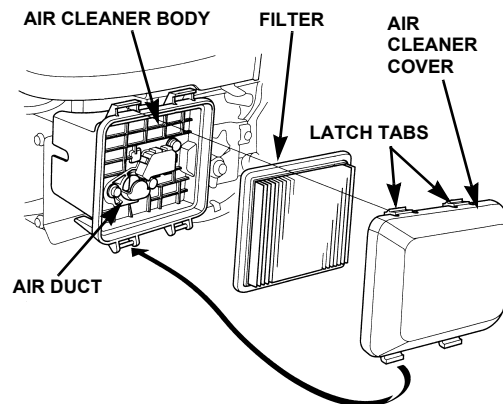
A dirty air cleaner will restrict air flow to the carburetor and cause poor engine performance. Inspect the filter each time the engine is operated. You will need to clean the filter more frequently if you operate the engine in very dusty areas.

NOTICE

Operating the engine without a filter, or with damaged filter, will allow dirt to enter the engine, causing rapid engine wear. This type of damage is not covered under your Distributor's Limited Warranty.

Inspection

1. Press the latch tabs on the top of the air cleaner cover, and remove the cover. Check the filter to be sure it is clean and in good condition.
2. Reinstall the filter and air cleaner cover.



Cleaning

1. Tap the filter several times on a hard surface to remove dirt, or blow compressed air not exceeding 30 psi (207 kPa) through the filter from the clean side that faces the engine. Never try to brush off dirt. Brushing will force dirt into the fibers.
2. Wipe dirt from the air cleaner body and cover using a moist rag. Be careful to prevent dirt from entering the air duct that leads to the carburetor.

SPARK PLUG

Recommended Spark Plug:

NGK - BPR6ES	Pressure washer applications
NGK - BPR5ES	All other applications

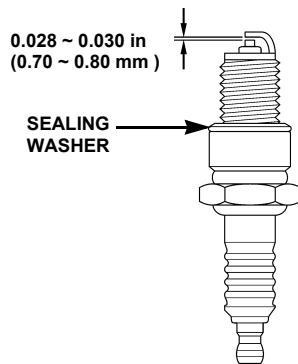
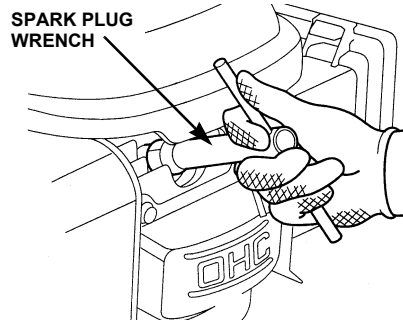
The recommended spark plug is the correct heat range for normal engine operating temperatures.

NOTICE

Incorrect spark plugs can cause engine damage.

For good performance, the spark plug must be properly gapped and free of deposits.

1. Disconnect the cap from the spark plug, and remove any dirt from the spark plug area.
2. Use the proper size spark plug wrench to remove the spark plug.
3. Inspect the spark plug. Replace it if damaged, badly fouled, if the sealing washer is in poor condition, or if the electrode is worn.
4. Measure the electrode gap with a suitable gauge. The correct gap is 0.028 ~ 0.030 in (0.70 ~ 0.80 mm). If adjustment is needed, correct the gap by carefully bending the side electrode.
5. Install the spark plug carefully, by hand, to avoid cross-threading.
6. After the spark plug is seated, tighten with the proper size spark plug wrench to compress the washer.



When installing a new spark plug, tighten 1/2 turn after the spark plug seats to compress the washer.

When reinstalling the original spark plug, tighten 1/8 ~ 1/4 turn after the spark plug seats to compress the washer.

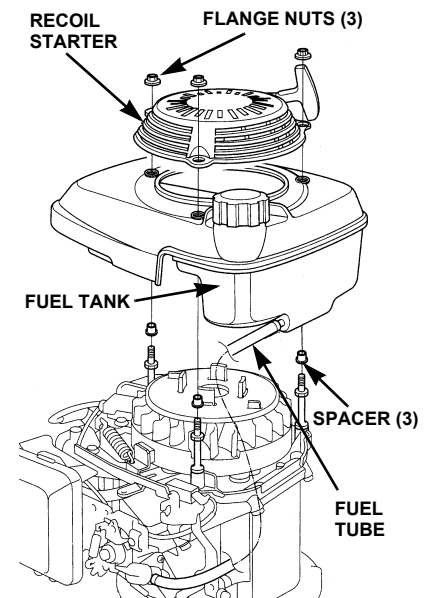
NOTICE

Properly tighten the spark plug. A loose spark plug can become very hot and can damage the engine. Overtightening the spark plug can damage the threads in the cylinder head.

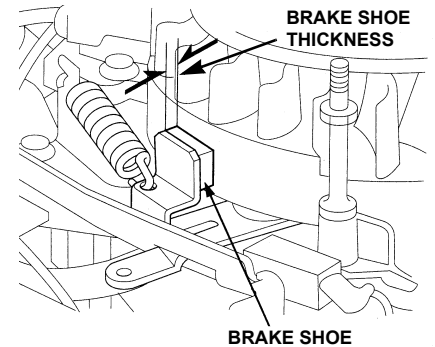
7. Attach the spark plug cap to the spark plug.

FLYWHEEL BRAKE INSPECTION

1. Remove the three flange nuts from the recoil starter, and remove the recoil starter from the engine.
2. Remove the fuel tank from the engine without disconnecting the fuel tube. If the fuel tank contains fuel, keep it level as you remove it and set it beside the engine in a level position.



3. Check the brake shoe thickness. If it is less than 3 mm, take the engine to your authorized Honda servicing dealer.
4. Install the fuel tank and recoil starter, and tighten the three nuts securely.



SPARK ARRESTER (optional equipment)

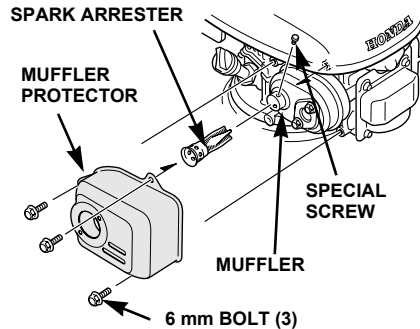
The spark arrester may be standard or an optional part, depending on the engine type. In some areas, it is illegal to operate an engine without a spark arrester. Check local laws and regulations. A spark arrester is available from authorized Honda servicing dealers.

The spark arrester must be serviced every 100 hours to keep it functioning as designed.

If the engine has been running, the muffler will be hot. Allow it to cool before servicing the spark arrester.

Spark Arrester Removal

1. Remove the three 6 mm bolts from the muffler protector, and remove the muffler protector.
2. Remove the special screw from the spark arrester, and remove the spark arrester from the muffler.



Spark Arrester Cleaning & Inspection

1. Use a brush to remove carbon deposits from the spark arrester screen. Be careful not to damage the screen. Replace the spark arrester if it has breaks or holes.
2. Install the spark arrester in the reverse order of removal.



STORING YOUR ENGINE

Storage Preparation

Proper storage preparation is essential for keeping your engine trouble-free and looking good. The following steps will help to keep rust and corrosion from impairing your engine's function and appearance, and will make the engine easier to start when you use it again.

Cleaning

If the engine has been running, allow it to cool for at least half an hour before cleaning. Clean all exterior surfaces, touch up any damaged paint, and coat other areas that may rust with a light film of oil.

NOTICE

Using a garden hose or pressure washing equipment can force water into the air cleaner or muffler opening. Water in the air cleaner will soak the air filter, and water that passes through the air filter or muffler can enter the cylinder, causing damage.

Fuel

NOTICE

Depending on the region where you operate your equipment, fuel formulations may deteriorate and oxidize rapidly. Fuel deterioration and oxidation can occur in as little as 30 days and may cause damage to the carburetor and/or fuel system. Please check with your servicing dealer for local storage recommendations.

Gasoline will oxidize and deteriorate in storage. Deteriorated gasoline will cause hard starting, and it leaves gum deposits that clog the fuel system. If the gasoline in your engine deteriorates during storage, you may need to have the carburetor, and other fuel system components, serviced or replaced.

The length of time that gasoline can be left in your fuel tank and carburetor without causing functional problems will vary with such factors as gasoline blend, your storage temperatures, and whether the fuel tank is partially or completely filled. The air in a partially filled fuel tank promotes fuel deterioration. Very warm storage temperatures accelerate fuel deterioration. Fuel problems may occur within a few months, or even less if the gasoline was not fresh when you filled the fuel tank.

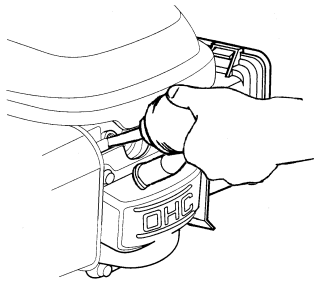
Fuel system damage or engine performance problems resulting from neglected storage preparation are not covered under your engine warranty.

To Prevent Fuel-Related Problems:

1. Add gasoline stabilizer following the manufacturer's instructions. When adding a gasoline stabilizer, fill the fuel tank with fresh gasoline. If only partially filled, air in the tank will promote fuel deterioration during storage. If you keep a container of gasoline for refueling, be sure that it contains only fresh gasoline.
2. After adding a gasoline stabilizer, run the engine outdoors for 10 minutes to be sure that treated gasoline has replaced the untreated gasoline in the carburetor.
3. Turn the fuel valve to the OFF position (see diagram, TYPE 1 Step 1 on page 4).
4. Continue to run the engine until it stops from the lack of fuel in the carburetor fuel bowl. Running time should be less than 3 minutes.

Engine Oil

1. Change the engine oil (see page 9).
2. Remove the spark plug (see page 10).
3. Pour 1 - 2 teaspoons (5 ~ 10 cc) of clean engine oil into the cylinder.
4. Pull the recoil starter several times to distribute the oil.
5. Reinstall the spark plug.



Storage Precautions

If your engine will be stored with gasoline in the fuel tank and carburetor, it is important to reduce the hazard of gasoline vapor ignition. Select a well-ventilated storage area away from any appliance that operates with a flame, such as a furnace, water heater, or clothes dryer. Also avoid any area with a spark-producing electric motor, or where power tools are operated.

If possible, avoid storage areas with high humidity, because that promotes rust and corrosion.

If there is gasoline in the fuel tank, leave the fuel valve in the OFF position (see diagram, TYPE 1 Step 1 on page 4).

Keep the engine level in storage. Tilting can cause fuel or oil leakage.

With the engine and exhaust system cool, cover the engine to keep out dust. A hot engine and exhaust system can ignite or melt some materials. Do not use sheet plastic as a dust cover. A nonporous cover will trap moisture around the engine, promoting rust and corrosion.

Removal From Storage

Check your engine as described in the *BEFORE OPERATION CHECKS* section of this manual (see page 3).

If the fuel was drained during storage preparation, fill the tank with fresh gasoline. If you keep a container of gasoline for refueling, be sure it contains only fresh gasoline. Gasoline oxidizes and deteriorates over time, causing hard starting.

If the cylinder was coated with oil during storage preparation, the engine will smoke briefly at startup. This is normal.

TRANSPORTING

Keep the engine level when transporting to reduce the possibility of fuel leakage. Turn the fuel valve to the OFF position (see diagram, TYPE 1 Step 1 on page 4).

Review the instructions provided with the equipment powered by this engine for any procedures that should be followed for transporting.

TAKING CARE OF UNEXPECTED PROBLEMS

Engine will not start

Possible Cause	Correction
Fuel valve is OFF.	Move the fuel valve lever to ON.
Choke is OFF.	Unless the engine is warm, move the choke/throttle lever, choke rod, or choke lever to the CHOKE ON position.
Ignition switch or engine stop switch is OFF.	Move the flywheel brake lever to RUN position. (Types 2 & 6: Throttle lever to FAST position. Type 5: Engine stop switch to ON)
<i>Electric start types:</i> Battery under-charged. Battery cables are loose or corroded. Fuse is blown.	Refer to the equipment manufacturer's instructions for servicing the battery and related components.
Out of fuel.	Refuel.
Bad fuel; engine stored without treating gasoline, or refueled with bad gasoline.	Refuel with fresh gasoline.
Spark plug faulty, fouled, or improperly gapped.	Adjust or replace the spark plug (page 10).
Spark plug wet with fuel (flooded engine).	Dry and reinstall the spark plug. Start the engine with the choke/throttle lever in the FAST position. (Types 4 & 5: Choke in the OFF position).
Fuel filter clogged, carburetor malfunction, ignition malfunction, valves stuck, etc.	Take the engine to an authorized Honda servicing dealer or refer to the shop manual to replace or repair faulty components as necessary.

Engine lacks power

Possible Cause	Correction
Air filter clogged.	Clean or replace the air filter (page 10).
Bad fuel; engine stored without treating the gasoline, or refueled with bad gasoline.	Refuel with fresh gasoline.
Fuel filter clogged, carburetor malfunction, ignition malfunction, valves stuck, etc.	Take the engine to an authorized Honda servicing dealer or refer to the shop manual to replace or repair faulty components as necessary.

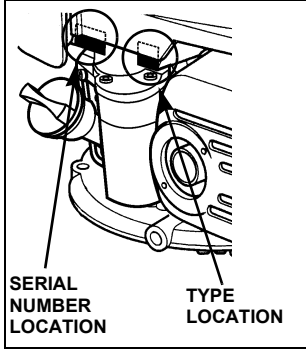
TECHNICAL INFORMATION

Serial Number and Type Location

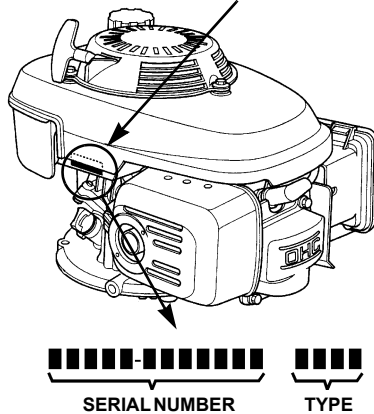
Record the engine serial number and type in the space below. You will need this information when ordering parts and when making technical or warranty inquiries.

MODEL	SERIAL NUMBER	ENGINE TYPE
GCV160	_____	_____
GCV190	_____	_____
DATE OF PURCHASE		

ELECTRIC STARTER TYPES



SERIAL NUMBER AND TYPE LOCATION



RADIO FREQUENCY INTERFERENCE LABEL (CANADA)

This engine complies with Canadian radio frequency interference regulations, ICES-002.

THIS SPARK IGNITION SYSTEM COMPLIES WITH CANADIAN ICES-002.
CE SYSTÈME D'ALLUMAGE PAR ÉTINCELLE EST CONFORME À LA NORME NMB-002 DU CANADA.

Carburetor Modifications for High Altitude Operation

At high altitude, the standard carburetor air-fuel mixture will be too rich. Performance will decrease, and fuel consumption will increase. A very rich mixture will also foul the spark plug and cause hard starting. Operation at an altitude that differs from that at which this engine was certified, for extended periods of time, may increase emissions.

High altitude performance can be improved by specific modifications to the carburetor. If you always operate your engine at altitudes above 5,000 feet (1,500 meters), have your servicing dealer perform this carburetor modification. This engine, when operated at high altitude with the carburetor modifications for high altitude use, will meet each emission standard throughout its useful life.

Even with carburetor modification, engine horsepower will decrease about 3.5% for each 1,000-foot (300-meter) increase in altitude. The effect of altitude on horsepower will be greater than this if no carburetor modification is made.

NOTICE

When the carburetor has been modified for high altitude operation, the air-fuel mixture will be too lean for low altitude use. Operation at altitudes below 1,500 meters (5,000 feet) with a modified carburetor may cause the engine to overheat and result in serious engine damage. For use at low altitudes, have your servicing dealer return the carburetor to original factory specifications.

EMISSION CONTROL SYSTEM INFORMATION

Source of Emissions

The combustion process produces carbon monoxide, oxides of nitrogen, and hydrocarbons. Control of hydrocarbons and oxides of nitrogen is very important because, under certain conditions, they react to form photochemical smog when subjected to sunlight. Carbon monoxide does not react in the same way, but it is toxic.

Honda utilizes appropriate air/fuel ratios and other emissions control systems to reduce the emissions of carbon monoxide, oxides of nitrogen, and hydrocarbons. Additionally, Honda fuel systems utilize components and control technologies to reduce evaporative emissions.

The U.S., California Clean Air Act, and Environment Canada

EPA, California, and Canadian regulations require all manufacturers to furnish written instructions describing the operation and maintenance of emission control systems.

The following instructions and procedures must be followed in order to keep the emissions from your Honda engine within the emission standards.

Tampering and Altering

Tampering with or altering the emission control system may increase emissions beyond the legal limit. Among those acts that constitute tampering are:

- Removal or alteration of any part of the intake, fuel, or exhaust systems.
- Altering or defeating the governor linkage or speed-adjusting mechanism to cause the engine to operate outside its design parameters.

Problems That May Affect Emissions

If you are aware of any of the following symptoms, have your engine inspected and repaired by your servicing dealer.

- Hard starting or stalling after starting.
- Rough idle.
- Misfiring or backfiring under load.
- Afterburning (backfiring).
- Black exhaust smoke or high fuel consumption.

Replacement Parts

The emission control systems on your Honda engine were designed, built, and certified to conform with EPA, California, and Canadian emission regulations. We recommend the use of Honda Genuine parts whenever you have maintenance done. These original-design replacement parts are manufactured to the same standards as the original parts, so you can be confident of their performance. The use of replacement parts that are not of the original design and quality may impair the effectiveness of your emission control system.

A manufacturer of an aftermarket part assumes the responsibility that the part will not adversely affect emission performance. The manufacturer or rebuilder of the part must certify that use of the part will not result in a failure of the engine to comply with emission regulations.

Maintenance

Follow the maintenance schedule on page 8. Remember that this schedule is based on the assumption that your machine will be used for its designed purpose. Sustained high-load or high-temperature operation, or use in unusually wet or dusty conditions, will require more frequent service.

Air Index

An Air Index Information hang tag/label is applied to engines certified to an emission durability time period in accordance with the requirements of the California Air Resources Board.

The bar graph is intended to provide you, our customer, the ability to compare the emissions performance of available engines. The lower the Air Index, the less pollution.

The durability description is intended to provide you with information relating the engine's emission durability period. The descriptive term indicates the useful life period for the engine's emission control system. See your *EMISSION CONTROL SYSTEM WARRANTY* (page 18) for additional information.

Descriptive Term	Applicable to Emission Durability Period
Moderate	50 hours (0–80 cc inclusive) 125 hours (greater than 80 cc)
Intermediate	125 hours (0–80 cc inclusive) 250 hours (greater than 80 cc)
Extended	300 hours (0–80 cc inclusive) 500 hours (greater than 80 cc) 1000 hours (225 cc and greater)

Quick Reference Information

Fuel	Type	Unleaded gasoline with a pump octane rating of 86 or higher (page 9).
Engine Oil	Type	SAE 10W-30, API SJ or later, for general use. Refer to page 9. ** Refill amount: 12.0 ~ 13.5 oz (0.35 ~ 0.41 ℓ)
Carburetor	Idle Speed	1,400 ± 150 rpm
Spark plug	Type	BPR6ES (NGK) (pressure washer applications) BPR5ES (NGK) (all other applications)
Maintenance	Before each use	Check engine oil level. Refer to page 9. Check air filter. Refer to page 9.
	First 5 hours	Change engine oil. Refer to page 9.
	Subsequent	Refer to the maintenance schedule on page 8.

** Actual amount will vary due to residual oil remaining in the engine. Always use the dipstick to confirm the actual level (see page 9)

Tuneup

ITEM	SPECIFICATION	MAINTENANCE
Spark plug gap	0.028 ~ 0.031 in (0.7 ~ 0.8 mm)	Refer to page 10.
Valve clearance (cold)	IN: 0.15 ± 0.04 mm EX: 0.20 ± 0.04 mm	See your authorized Honda dealer
Other specifications	No other adjustments needed.	

Specifications

GCV160

Type	Recoil start	Electric start
Length x Width x Height	14.4 x 13.0 x 14.2 in (367 x 331 x 360 mm)	14.4 x 13.9 x 14.2 in (367 x 354 x 360 mm)
Dry weight	22 lb (9.8 kg)	26 lb (11.6 kg)
Engine type	4-stroke, overhead cam, single cylinder	
Displacement [Bore x Stroke]	9.8 cu in (160 cm ³) [2.5 x 2.0 in (64 x 50 mm)]	
* Net power (in accordance with SAE J1349)	4.4 hp (3.3 kW) at 3,600 rpm	
* Max. net torque (in accordance with SAE J1349)	6.9 ft-lb (9.4 N•m) at 2,500 rpm	
Oil capacity	Dry engine: 18.6 oz (0.55 ℓ) ** Refill amount: 12.0 ~ 13.5 oz (0.35 ~ 0.41 ℓ)	
Fuel tank capacity	0.25 US gal (0.91 ℓ)	
Fuel consumption	1.1 ℓ/h at 3,000 rpm	
Cooling system	Forced air	
Ignition system	Transistorized magneto	
PTO shaft rotation	Counterclockwise	
Charging system:		
BBC types	12 VDC, 0.15 A min. @ 2,900 rpm	
Flywheel brake types	12 VDC, 0.20 A min. @ 2,900 rpm	

GCV190

Type	Recoil start	Electric start
Length x Width x Height	14.4 x 13.0 x 14.5 in (367 x 331 x 368 mm)	14.4 x 13.9 x 14.5 in (367 x 354 x 368 mm)
Dry weight	27.1 lb (12.3 kg)	29.3 lb (13.3 kg)
Engine type	4-stroke, overhead cam, single cylinder	
Displacement [Bore x Stroke]	11.4 cu in (187 cm ³) [2.7 x 2.0 in (69 x 50 mm)]	
* Net power (in accordance with SAE J1349)	5.1 hp (3.8 kW) at 3,600 rpm	
* Max. net torque (in accordance with SAE J1349)	8.3 ft-lb (11.3 N•m) at 2,500 rpm	
Oil capacity	Dry engine: 18.6 oz (0.55 ℓ) ** Refill amount: 12.0 ~ 13.5 oz (0.35 ~ 0.41 ℓ)	
Fuel tank capacity	0.25 US gal (0.91 ℓ)	
Fuel consumption	1.3 ℓ/h at 3,000 rpm	
Cooling system	Forced air	
Ignition system	Transistorized magneto	
PTO shaft rotation	Counterclockwise	
Charging system:		
BBC types	12 VDC, 0.15 A min. at 2,900 rpm	
Flywheel brake types	12 VDC, 0.20 A min. at 2,900 rpm	

* The power rating of the engine indicated in this document is the net power output tested on a production engine for the engine model and measured in accordance with SAE J1349 at 3,600 rpm (net power) and at 2,500 rpm (max net torque). Mass production engines may vary from this value. Actual power output for the engine installed in the final machine will vary depending on numerous factors, including the operating speed of the engine in application, environmental conditions, maintenance, and other variables.

** Actual amount will vary due to residual oil remaining in the engine. Always use the dipstick to confirm the actual level (see page 9)

Battery Connections

Use the following materials to connect a 12-volt battery to the starter on type 7 units (with electric start switch/fixed throttle/manual choke):

- **Battery** – 12-volt lead acid battery with a recommended ampere-hr rating of 3 Ah or a 14.4-volt NiCd battery with a recommended ampere-hr rating of 1.7 Ah.
- **Wire** – 12-gauge (minimum) wire with a maximum length of 10 feet (3 meters).
- **Fuse** – 40-ampere blade type fuse.
- **Terminal** – Delphi 56 series male connector and terminal to connect to the starter motor.

Coat the battery terminals and cable ends with dielectric grease. Be careful not to connect the battery in reverse polarity.

⚠ WARNING

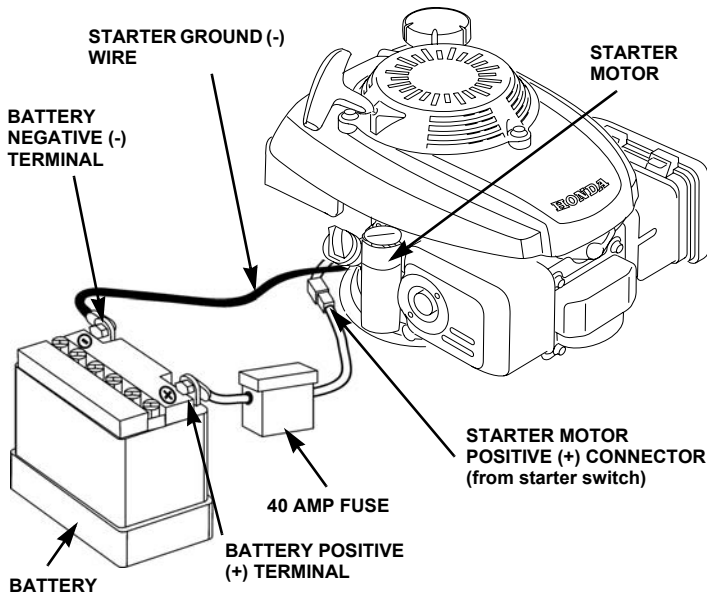
A battery can explode if you do not follow the correct procedure, seriously injuring anyone nearby.

Keep all sparks, open flames, and smoking materials away from the battery.

WARNING: Battery posts, terminals and related accessories contain lead and lead compounds. **Wash hands after handling.**

1. Connect the battery positive (+) cable using the appropriate connector and insulator to the supplied starter connector.
2. Connect the battery negative (-) cable to an engine mounting bolt, frame bolt, or the provided ground position on the starter motor (requires 5 x 8 mm screw).
3. Connect the battery positive (+) cable to the battery positive (+) terminal as shown.
4. Connect the battery negative (-) cable to the battery negative (-) terminal as shown.

The following diagram only shows connections for type 7 units (with electric start switch/fixed throttle/manual choke). Connections are different for the other electric start types (types 4 and 6).

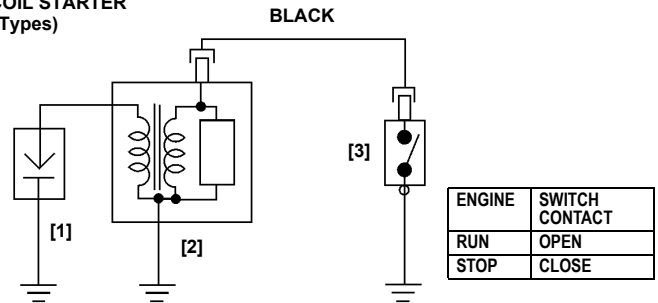


If the engine is not equipped with a charge coil, the battery will lose charge during starter motor operation only. There is no drain on the battery once the engine is running.

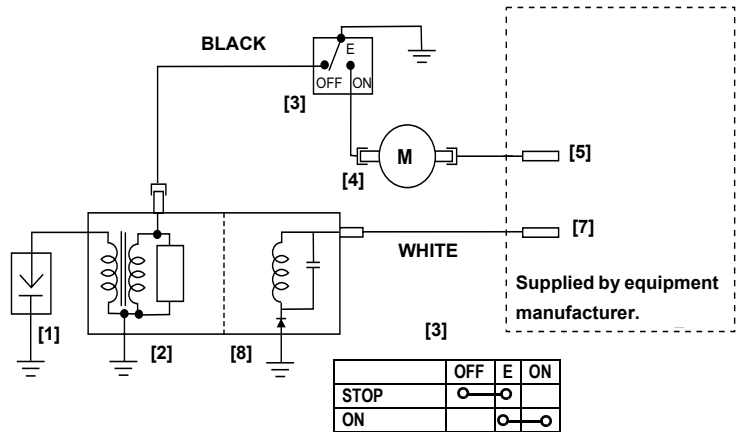
The battery must be charged by an external battery charging system if the engine is not equipped with a charge coil. Refer to the equipment manufacturer's instructions or the battery manufacturer for specific external battery charging recommendations.

Wiring Diagrams

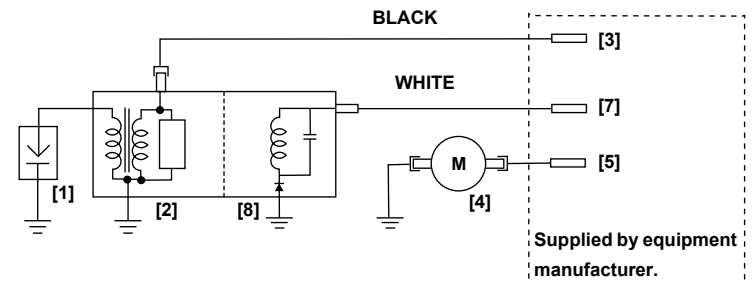
RECOIL STARTER (All Types)



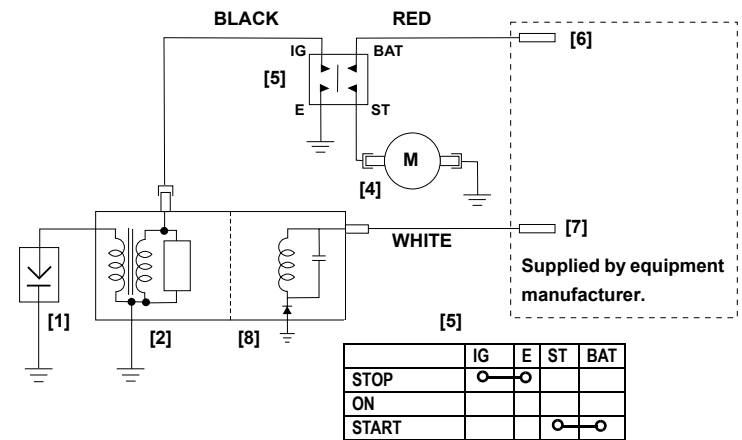
ELECTRIC STARTER (Type 4 with Flywheel Brake)



ELECTRIC STARTER (Type 6 with Blade Brake Clutch)



ELECTRIC STARTER (Type 7 with starter switch on the engine)



[1] SPARK PLUG	[5] STARTER SWITCH
[2] IGNITION COIL	[6] FUSE (40A)
[3] ENGINE STOP SWITCH	[7] BATTERY (+)
[4] STARTER MOTOR	[8] CHARGE COIL (if equipped)

CONSUMER INFORMATION

Distributor/Dealer Locator Information

United States, Puerto Rico, and U.S. Virgin Islands:

Visit our website: www.honda-engines.com

Canada:

Call (888) 9HONDA9

or visit our website: www.honda.ca

Honda Publications

Shop Manual	This manual covers complete maintenance and overhaul procedures. It is intended to be used by a skilled technician. Available through your Honda dealer or through Helm Inc. at 1 888-292-5395 or visit www.Honda-engines.com and click on Product Manuals.
Parts Catalog	This manual provides complete, illustrated parts lists. Available through your Honda dealer.

Customer Service Information

Servicing dealership personnel are trained professionals. They should be able to answer any question you may have. If you encounter a problem that your dealer does not solve to your satisfaction, please discuss it with the dealership's management. The Service Manager, General Manager, or Owner can help. Almost all problems are solved in this way.

If you are dissatisfied with the decision made by the dealership's management, contact the Honda Regional Engine Distributor for your area. You can find their name, address, and phone number using the dealer/distributor locator on our website at www.hond-engines.com

If you are still dissatisfied after speaking with the Regional Engine Distributor, you may contact the Honda Office as shown.

<Honda's Office>

When you write or call, please provide this information:

- Equipment manufacturer's name and model number that the engine is mounted on
- Engine model, serial number, and type (see page 13)
- Name of dealer who sold the engine to you
- Name, address, and contact person of the dealer who services your engine
- Date of purchase
- Your name, address and telephone number
- A detailed description of the problem

United States, Puerto Rico, and U.S. Virgin Islands:

American Honda Motor Co., Inc.

Power Equipment Division

Customer Relations Dept.

4900 Marconi Drive

Alpharetta, GA 30005-8847

Or telephone: (770) 497-6400, 8:30 am - 7:00 pm ET

Canada:

Honda Canada, Inc.

Please visit www.honda.ca for contact information

Telephone: (888) 9HONDA9 Toll free

(888) 946-6329

Facsimile: (877) 939-0909 Toll free

Distributor's Warranties

The applicable warranty is the warranty policy in effect in the country where the warranty service is provided.

Distributor's Limited Warranty United States, Puerto Rico, or the U.S. Virgin Islands

PRODUCTS COVERED BY THIS WARRANTY:	LENGTH OF WARRANTY: (FROM DATE OF ORIGINAL PURCHASE)	
	PRIVATE/ RESIDENTIAL ⁽¹⁾	COMMERCIAL/RENTAL/ INSTITUTIONAL ⁽²⁾
GCV Series Engines	24 months	12 months

⁽¹⁾ Private Residential: Used in maintaining owner's primary and/or secondary residence. Any other use, including but not limited to informal "for hire" use, is considered commercial/rental/institutional.

⁽²⁾ Honda GCV general purpose engines are not covered by this warranty when installed on concession type vehicles.

To Qualify for this Warranty:

The Honda general purpose engine must be purchased from a Honda general purpose engine dealer or distributor authorized to sell that product in the United States, Puerto Rico, or the U.S. Virgin Islands. This limited warranty applies to first retail purchaser and each subsequent owner during the applicable warranty time period.

What American Honda Will Repair or Replace Under Warranty:

American Honda will repair or replace, at its option, any part that is proven to be defective in material or workmanship under normal use during the applicable warranty time period. Warranty repairs and replacements will be made without charge for parts or labor. Anything replaced under warranty becomes the property of American Honda Motor Company, Inc. All parts replaced under warranty will be considered as part of the original product and any warranty on those parts will expire coincident with the original product warranty.

To Obtain Warranty Service:

You must take your Honda general purpose engine, or the equipment in which it is installed, together with proof of original retail purchase date, at your expense, to a Honda engine dealer or distributor authorized to sell that product in the United States, Puerto Rico, or the U.S. Virgin Islands, during their normal business hours. Many Honda engine dealers and distributors are listed in the yellow pages of the telephone directory under gasoline engines, lawn & garden equipment & supplies, etc.

If you are unable to obtain warranty service, or are dissatisfied with the warranty service you receive, take the following steps: First contact the owner of the dealership or distributor involved. Normally this should resolve the problem. However, if you should require further assistance, write or call the Power Equipment Customer Relations Department of American Honda Motor Co., Inc. listed in the adjacent column.

Exclusions:

This warranty does not extend to parts affected or damaged by the product in which the engine is installed, or by collision, misuse, neglect, parts worn beyond service limits due to normal wear/normal service life, parts affected or damaged by the conversion to or use of fuel other than the fuel(s) which the engine is originally manufactured to use, poor operation related to fuel contamination or fuel quality, parts damaged by fuel contamination, the incorporation of, or use of, unsuitable attachments or parts, the unauthorized alteration of any part or any causes other than defects in material or workmanship of the engine. Use of the Honda general purpose engine for racing or competition will void this warranty. Any engine that is part of a product that has ever been declared a total loss or sold for salvage by a financial institution or insurer.

Disclaimer of Consequential Damage and Limitation of Implied Warranties:

American Honda disclaims any responsibility for loss of time or use of the engine, or the equipment in which the engine is installed, transportation, commercial loss, or any other incidental or consequential damage. Any implied warranties are limited to the duration of this written limited warranty. Some states do not allow limitations on how long an implied warranty lasts and/or do not allow the exclusion or limitation of incidental or consequential damages, so the above exclusions and limitations may not apply to you. This warranty gives you specific legal rights, and you may also have other rights which vary from state to state.

Distributor's Warranty Canada

Honda Canada Inc., for and on behalf of Honda Motor Co. Ltd., Tokyo, Japan, gives the following written warranty on each new General Purpose Engine manufactured by Honda Motor Co. Ltd., Japan, distributed in Canada by Honda Canada Inc. and sold as part of the original equipment of machinery or equipment when such machinery or equipment is manufactured in Canada. Whenever used herein, the word "Honda" refers to Honda Canada Inc. and/or Honda Motor Co. Ltd. as appropriate from the context.

Honda warrants that each new Honda General Purpose Engine will be free, under normal use and maintenance, from any defects in material or workmanship for the relevant warranty period set forth below. If any defects should be found in a Honda General Purpose Engine within the relevant warranty period, necessary repairs and replacements with a new part or the Honda equivalent shall be made at no cost to the consumer for parts and labour (except for labour charges due to the presence of an attachment), when Honda acknowledges that such defects are attributable to faulty material or workmanship at the time of manufacture.

WARRANTY PERIOD

Warranty coverage commences from the original date of sale or when the unit is first put into use as a demonstrator.

MODEL	NON-COMMERCIAL	COMMERCIAL	RENTAL	CONCESSION
GCV160 GCV190	24 months	3 months	3 months	NONE

NOTE: Concession use refers to Go Karts, etc.

THIS WARRANTY COVERS:

- Any Honda General Purpose Engine purchased from a Honda general purpose engine dealer or distributor authorized to sell that product in Canada.
- Any factory installed part (except normal maintenance parts referred to in "THIS WARRANTY DOES NOT COVER"); and
- Any General Purpose Engine on which required maintenance services have been performed as prescribed in the Owner's Manual.

THIS WARRANTY DOES NOT COVER:

- Any repairs required as a result of collision, striking any object, racing, misuse or lack of required maintenance.
- Any repairs required as a result of any attachments, parts or devices installed by or repairs done by a party other than the Original Equipment Manufacturer or an authorized Honda Power Products dealer.
- Any Honda General Purpose Engine modified, altered, disassembled or remodelled;
- Normal maintenance services, including tightening of nuts, bolts and fittings and engine tune-up and the replacement of parts made in connection with normal maintenance services including filters, spark plugs and wires, fuses, belts, lubricants and other expendables susceptible to natural wear.

THE OWNER'S OBLIGATION

In order to maintain the validity of this *DISTRIBUTOR'S WARRANTY*, the required maintenance services as set forth in the Owner's Manual must be performed at the proper intervals and detailed receipts and records retained as proof.

TO OBTAIN WARRANTY SERVICE

You must take your Honda General Purpose Engine, at your expense, during normal service hours, to the authorized Honda Power Products dealer or the dealer designated by the manufacturer of the machinery or equipment powered by the Honda engine. If you are unable to obtain or are dissatisfied with the warranty service you receive, first contact the owner of the dealership involved; this should resolve the problem. If you require further assistance, contact Honda Canada Inc., at the address shown under *Customer Service Information* (page 16).

REPLACEMENT PARTS WARRANTY

New Honda Genuine replacement parts sold to a consumer or installed by an authorized Honda power equipment dealer which are not covered by the *DISTRIBUTOR'S WARRANTY* are warranted for a period of one year from date of purchase for normal use, or 3 months for rental or concession use provided, however, that this Replacement Parts Warranty does not apply to any replacement parts modified, used with, or installed on a power product for which the replacement parts were not intended. Electrical components that are not installed by the dealer (sold over the counter) are not covered by warranty.

ENTIRE WRITTEN WARRANTY

This *DISTRIBUTOR'S WARRANTY* is the only and the entire written warranty given by Honda for Honda General Purpose Engines. No dealer or his agent or employee is authorized to extend or enlarge on these warranties on behalf of Honda by any written or verbal statement or advertisement.

DISCLAIMER

To the extent the law permits, Honda disclaims any responsibility for loss of time or use of the General Purpose Engine, transportation or towing costs or any other indirect, incidental or consequential damage, inconvenience or commercial loss.

NOTICE TO CONSUMER

The provisions contained in these written warranties are not intended to limit, modify, take away from, disclaim or exclude any warranties set forth in or the operation of The Consumer Products Warranties Act, 1977 (Saskatchewan), The Consumer Product Warranty and Liability Act (New Brunswick), The Consumer Protection Act (Quebec), or any other similar provincial or federal legislation.

International Warranty

See last pages.

EMISSION CONTROL SYSTEM WARRANTY

Your new Honda Power Equipment engine complies with the U.S. EPA, Environment Canada, and State of California emission regulations (models certified for sale in California only). American Honda Motor Co., Inc. provides the emission warranty coverage for engines in the United States, and its territories. Honda Canada Inc. provides the emission warranty for engines in the 13 provinces and territories of Canada. In the remainder of this Emission Control System Warranty, American Honda Motor Company Inc. and Honda Canada Inc. will be referred to as Honda.

YOUR WARRANTY RIGHTS AND OBLIGATIONS:

CALIFORNIA

The California Air Resources Board and Honda are pleased to explain the emission control system warranty on your Honda Power Equipment engine. In California, new spark-ignited small off-road equipment engines must be designed, built, and equipped to meet the State's stringent anti-smog standards.

OTHER STATES, U.S. TERRITORIES, AND CANADA

In other areas of the United States and in Canada, your engine must be designed, built, and equipped to meet the U.S. EPA and Environment Canada emission standards for spark-ignited engines at or below 19 kilowatts. Specific Honda products that do not meet the California emissions regulations can be identified by a "Not for sale in California" decal.

ALL OF THE UNITED STATES AND CANADA

Honda must warrant the emission control system on your power equipment engine for the period of time listed below, provided there has been no abuse, neglect, or improper maintenance of your power equipment engine. Where a warrantable condition exists, Honda will repair your power equipment engine at no cost to you including diagnosis, parts, and labor.

Your emission control system may include such parts as the carburetor or fuel injection system, the ignition system, and catalytic converter. Also included may be hoses, connectors, and other emission-related assemblies.

MANUFACTURER'S WARRANTY COVERAGE:

The 1995 and later power equipment engines are warranted for two years or the length of the Honda Distributor's Warranty, whichever is longer. If any emission-related part on your engine is defective, the part will be repaired or replaced by Honda.

OWNER'S WARRANTY RESPONSIBILITY:

As the power equipment engine owner, you are responsible for the performance of the required maintenance listed in your owner's manual. Honda recommends that you retain all receipts covering maintenance on your power equipment engine, but Honda cannot deny warranty coverage solely for the lack of receipts or for your failure to ensure the performance of all scheduled maintenance.

As the power equipment engine owner, you should however be aware Honda may deny you warranty coverage if your power equipment engine or a part has failed due to abuse, neglect, improper maintenance, or unapproved modifications.

You are responsible for presenting your power equipment engine to a Honda Power Equipment dealer as soon as a problem exists. The warranty repairs should be completed in a reasonable amount of time, not to exceed 30 days.

If you have any questions regarding your warranty rights and responsibilities, you should contact the Honda Office in your region:

American Honda Motor Co., Inc. Power Equipment Customer Relations 4900 Marconi Drive Alpharetta, Georgia 30005-8847 Telephone: (770) 497-6400	or	Honda Canada Inc. Power Equipment Customer Relations Visit www.honda.ca for contact information Telephone: (888) 946-6329
---	----	---

WARRANTY COVERAGE:

Honda power equipment engines manufactured after January 1, 1995 and sold in the State of California, U.S. EPA certified engines manufactured on or after September 1, 1996 and sold in all of the United States, and Canadian certified engines manufactured on or after January 1, 2005 are covered by this warranty for a period of two years from the date of delivery to the original retail purchaser or the length of the Honda Distributor's Warranty, whichever is longer. This warranty is transferable to each subsequent purchaser for the duration of the warranty period.

Warranty repairs will be made without charge for diagnosis, parts, or labor. All defective parts replaced under this warranty become the property of Honda.

A list of warranted parts is in the table below. Normal maintenance items, such as spark plugs and filters, that are on the warranted parts list are warranted up to their required replacement interval only.

Honda will also replace other engine components damaged by a failure of any warranted part during the warranty period.

Only Honda approved replacement parts may be used in the performance of any warranty repairs and must be provided without charge to the owner. The use of replacement parts not equivalent to the original parts may impair the effectiveness of your engine emission control system. If such a replacement part is used in the repair or maintenance of your engine, and an authorized Honda dealer determines it is defective or causes a failure of a warranted part, your claim for repair of your engine may be denied. If the part in question is not related to the reason your engine requires repair, your claim will not be denied.

TO OBTAIN WARRANTY SERVICE:

You must take your Honda Power Equipment engine or the product on which it is installed, along with your sales registration card or other proof of original purchase date, at your expense, to any Honda Power Equipment dealer who is authorized by Honda to sell and service that Honda product during his normal business hours. Claims for repair or adjustment found to be caused solely by defects in material or workmanship will not be denied because the engine was not properly maintained and used.

If you are unable to obtain warranty service, or are dissatisfied with the warranty service you received, contact the owner of the dealership involved. Normally this should resolve your problem. However, if you require further assistance, write or call the Honda Power Equipment Customer Relations Department in your region.

EXCLUSIONS:

Failures other than those resulting from defects in material or workmanship are not covered by this warranty. This warranty does not extend to emission control systems or parts which are affected or damaged by owner abuse, neglect, improper maintenance, misuse, misfueling, improper storage, collision, the incorporation of, or any use of, any add-on or modified parts, unsuitable attachments, or the unauthorized alteration of any part.

This warranty does not cover replacement of expendable maintenance items made in connection with required maintenance services after the item's first scheduled replacement as listed in the maintenance section of the product owner's manual, such as: spark plugs and filters.

DISCLAIMER OF CONSEQUENTIAL DAMAGE AND LIMITATION OF IMPLIED WARRANTIES:

American Honda Motor Co., Inc. and Honda Canada Inc. disclaim any responsibility for incidental or consequential damages such as loss of time or the use of the power equipment, or any commercial loss due to the failure of the equipment; and any implied warranties are limited to the duration of this written warranty. This warranty is applicable only where the California, U.S. EPA, or Environment Canada emission control system warranty regulation is in effect.

EMISSION CONTROL SYSTEM WARRANTY PARTS:

SYSTEMS COVERED BY THIS WARRANTY:	PARTS DESCRIPTION:
Fuel Metering	Carburetor assembly, (includes starting enrichment system), Engine temperature sensor, Engine control module, Fuel regulator, Intake manifold
Evaporative	Fuel tank, Fuel cap, Fuel hoses, Vapor hoses, Carbon canister, Canister mounting brackets, Fuel strainer, Fuel cock, Fuel pump, Fuel hose joint, Canister purge hose joint
Exhaust	Catalyst, Exhaust manifold
Air Induction	Air filter housing, Air filter element*
Ignition	Flywheel magneto, Ignition pulse generator, Crankshaft position sensor, Power coil, Ignition coil assembly, Ignition control module, Spark plug cap, Spark plug*
Crankcase Emission Control	Crankcase breather tube, Oil filler cap
Miscellaneous Parts	Tubing, fittings, seals, gaskets, and clamps associated with these listed systems.

Note: This list applies to parts supplied by Honda and does not cover parts supplied by the equipment manufacturer. Please see the original equipment manufacturer's emissions warranty for non-Honda parts.

* Covered up to the first required replacement only. See the *MAINTENANCE SCHEDULE* on page 8.

INTRODUCTION

Merci d'avoir acheté un moteur Honda. Ce manuel vous aidera à obtenir les meilleurs résultats de votre nouveau moteur et à l'utiliser sans danger. Il contient tous les renseignements nécessaires ; veuillez le lire attentivement avant de faire fonctionner le moteur. En cas de problème ou pour toute question concernant votre moteur, veuillez consulter un concessionnaire Honda.

Toute l'information contenue dans ce document est basée sur les données les plus récentes au moment de l'impression. American Honda Motor Co., Inc. se réserve le droit d'apporter des modifications à tout moment sans préavis ni obligation. Toute reproduction, même partielle, de ce document est interdite sans autorisation écrite.

Ce manuel fait partie intégrante du moteur et doit l'accompagner en cas de revente.

Pour tout renseignement supplémentaire concernant le démarrage, l'arrêt, le fonctionnement, les réglages ou toute opération d'entretien particulière du moteur, veuillez consulter les instructions fournies avec le matériel entraîné par ce moteur.

MESSAGES DE SÉCURITÉ

Votre sécurité et celle des autres est très importante. Vous trouverez des messages de sécurité importants dans ce manuel et sur le moteur. Veuillez les lire avec attention.

Les messages de sécurité vous mettent en garde contre les dangers présentés par le moteur. Chacun de ces messages est précédé du symbole de mise en garde ⚠ et de l'intitulé DANGER, AVERTISSEMENT ou ATTENTION.

Ces intitulés signifient :

⚠ DANGER

DANGER ABSOLU de MORT ou de BLESSURE GRAVE si les instructions ne sont pas respectées.

⚠ AVERTISSEMENT

DANGER POTENTIEL de MORT ou de BLESSURE GRAVE si les instructions ne sont pas respectées.

⚠ ATTENTION

RISQUE de BLESSURE si les instructions ne sont pas respectées.

Chaque message indique quel est le danger, ce qui peut se produire et ce qui peut être fait pour éliminer ou réduire le risque d' blessures.

MESSAGES DE PRÉVENTION DES DOMMAGES

Vous rencontrerez également d'autres messages importants précédés de l'intitulé AVIS.

Ce terme signifie :

AVIS

Risque de dommages matériels du moteur et autres si les instructions ne sont pas respectées.

L'objet de ces messages est d'écarter les risques de dommages du moteur, d'autres matériels et pour l'environnement.

HONDA

MANUEL DE L'UTILISATEUR

GCV160 • GCV190



FRANÇAIS



AVERTISSEMENT:



Les gaz d'échappement du moteur contiennent des produits chimiques reconnus par l'État de la Californie comme pouvant entraîner le cancer, des malformations à la naissance et autres dangers liés à la reproduction.

TABLE DES MATIÈRES

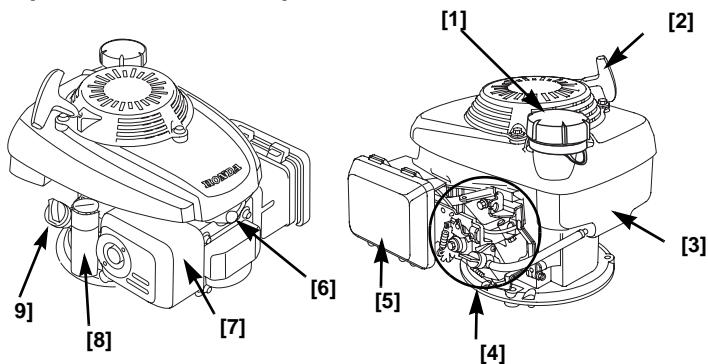
INTRODUCTION	1
MESSAGES DE SÉCURITÉ	1
IDENTIFICATION : DES COMPOSANTS ET DES COMMANDES	2
CONTRÔLES AVANT UTILISATION	3
FONCTIONNEMENT	3
Mesures de précaution	3
Fonctionnement du type 1	3
Fonctionnement du type 2	4
Fonctionnement du type 3	5
Fonctionnement du type 4	5
Fonctionnement du type 5	5
Fonctionnement du type 6	6
Fonctionnement du type 7	6
Fonctionnement du type 8	7
Fonctionnement du type 9	7
Fonctionnement du type 10	7
ENTRETIEN DU MOTEUR	8
Calendrier d'entretien	8
Remplissage du réservoir d'essence	8
Huile moteur	9
Filtre à air	10
Bougie	10
Contrôle du frein de volant	10
Pare-étincelles (types applicables)	11
STOCKAGE DU MOTEUR	11
TRANSPORT	12
RÉGLER DES PROBLÈMES IMPRÉVUS	12
INFORMATIONS TECHNIQUES	13
INFORMATION DU CONSOMMATEUR	16
Informations sur la garantie	dernière page

INFORMATION CONCERNANT LA SÉCURITÉ

- Veillez à comprendre le fonctionnement de toutes les commandes et à apprendre comment éteindre le moteur rapidement en cas d'urgence. Assurez-vous que le conducteur reçoive les instructions nécessaires avant d'utiliser le matériel.
- Ne pas autoriser des enfants à utiliser le moteur. Eloigner les enfants et les animaux de la zone d'utilisation.
- Les gaz d'échappement du moteur contiennent du monoxyde de carbone toxique. Ne faites pas fonctionner le moteur sans ventilation appropriée et jamais à l'intérieur.
- Le moteur et son échappement sont très chauds durant la marche. Maintenez le moteur à 1 mètre minimum des bâtiments et autres équipements durant la marche. Tenez les matières inflammables à l'écart et ne placez rien sur le moteur durant la marche.

IDENTIFICATION : DES COMPOSANTS ET DES COMMANDES

Emplacement des Composants

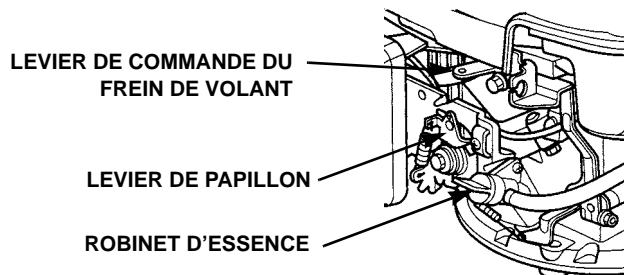


1	Bouchon du réservoir d'essence
2	Poignée du démarreur
3	Réservoir d'essence
4	Zone de commande moteur *
5	Filtre à air
6	Bougie
7	Silencieux
8	Démarreur
9	Bouchon-jauge d'huile

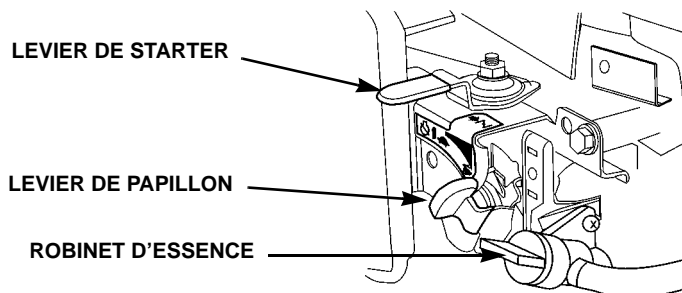
* Les commandes dépendent du type de moteur. Se reporter aux schémas individuels ci-dessous pour déterminer quel type de commande moteur considérer lors de la lecture de la section *Fonctionnement* et d'autres sections de ce manuel.

Emplacement des Commandes

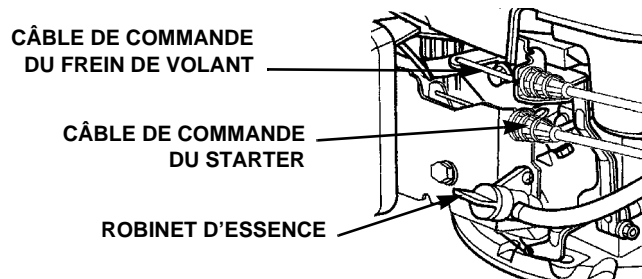
TYPE 1 : FREIN DE VOLANT/PAPILLON COMMANDÉ



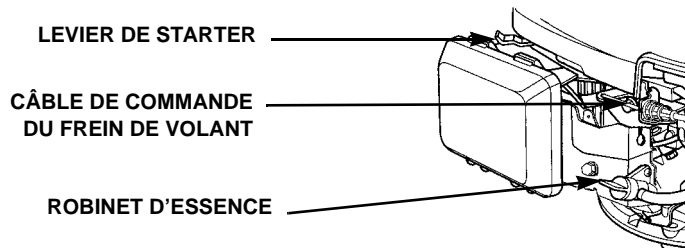
TYPE 2 : STARTER MANUEL/PAPILLON MANUEL



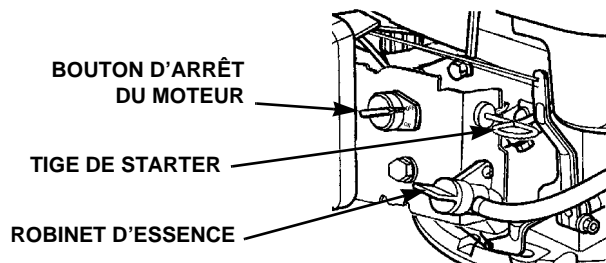
TYPE 3 : FREIN DE VOLANT/STARTER COMMANDÉ/ CARBURATEUR PRÉRÉGLÉ



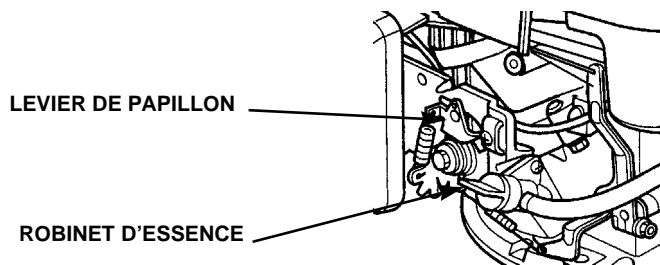
TYPE 4 : STARTER À RETOUR AUTOMATIQUE/ CARBURATEUR PRÉRÉGLÉ



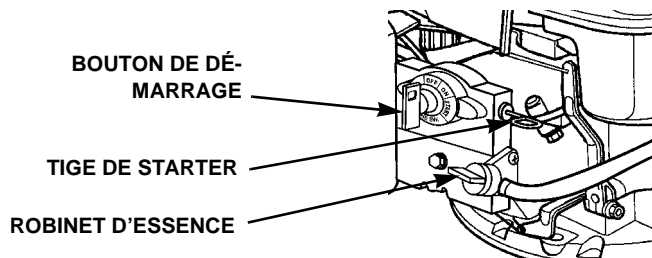
TYPE 5 : STARTER MANUEL/CARBURATEUR PRÉRÉGLÉ



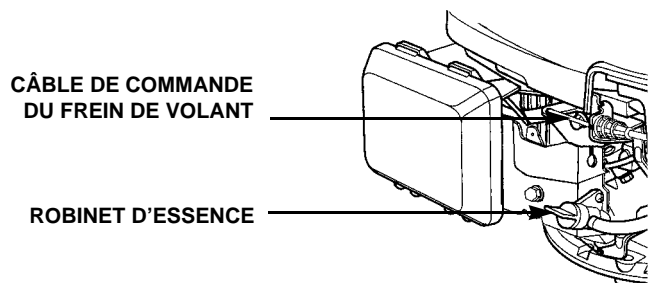
TYPE 6 : PAPILLON COMMANDÉ/FREIN-EMBRAYAGE À AUBES (COMMANDE DE MATÉRIEL)



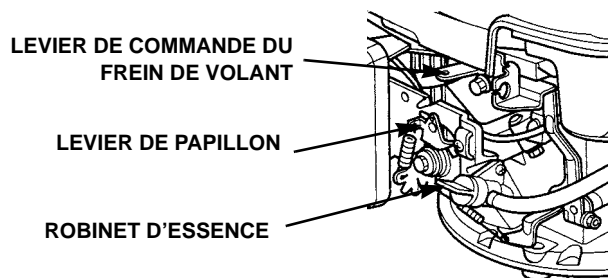
TYPE 7 : DÉMARREUR ÉLECTRIQUE À BOUTON DE DÉMARRAGE/STARTER MANUEL/CARBURATEUR PRÉRÉGLÉ



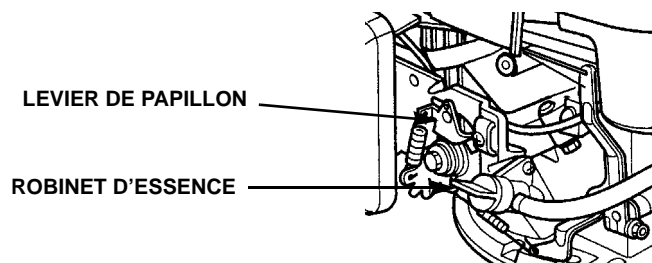
TYPE 8 : STARTER AUTOMATIQUE/CARBURATEUR PRÉRÉGLÉ



TYPE 9 : FREIN DE VOLANT/STARTER AUTOMATIQUE/PAPILLON COMMANDÉ



TYPE 10 : STARTER AUTOMATIQUE/PAPILLON COMMANDÉ/FREIN-EMBRAYAGE À AUBES (COMMANDE DE MATÉRIEL)



CONTRÔLES AVANT UTILISATION

LE MOTEUR EST-IL PRÊT À FONCTIONNER ?

Pour des raisons de sécurité et pour assurer une durée de service optimale du matériel, il est très important de consacrer quelques instants au contrôle de l'état du moteur avant de l'utiliser. Veiller à régler tout problème identifié, ou à le faire corriger par un réparateur, avant de faire fonctionner le moteur.

⚠ AVERTISSEMENT

Un entretien inadéquat du moteur ou l'existence de problèmes non résolus avant la mise en marche peuvent entraîner un mauvais fonctionnement pouvant présenter un danger de blessure grave ou de mort. Toujours effectuer un contrôle préalablement à chaque utilisation et corriger tout problème éventuel.

Avant de débiter les contrôles, s'assurer que le moteur est horizontal et que le levier du frein de volant (*type 2* : levier de papillon, *type 4* : bouton d'arrêt du moteur) est en position STOP ou ARRÊT (OFF).

Toujours effectuer les contrôles suivants avant de démarrer le moteur :

1. Niveau d'essence (voir page 8).
2. Niveau d'huile (voir page 9).
3. Filtre à air (voir page 10).
4. Contrôle général : Vérifier l'absence de fuites et le bon serrage et l'état des pièces.
5. Contrôler le matériel entraîné par le moteur.

Respecter toutes les précaution et procédures à suivre avant le démarrage du moteur figurant dans le mode d'emploi du matériel entraîné par le moteur.

FONCTIONNEMENT

MESURES DE PRÉCAUTION

Avant de mettre le moteur en marche pour la première fois, consulter la section *INFORMATION CONCERNANT LA SÉCURITÉ* à la page 2 et *CONTRÔLES AVANT UTILISATION* ci-dessus.

Par mesure de sécurité, ne pas faire fonctionner le moteur à essence dans un endroit clos comme un garage. L'échappement du moteur contient du monoxyde de carbone, un gaz toxique qui peut s'accumuler rapidement dans un endroit clos et causer des blessures ou la mort.

⚠ AVERTISSEMENT

Les gaz d'échappement contiennent du monoxyde de carbone, un gaz toxique qui peut s'accumuler jusqu'à devenir dangereux dans les endroits clos. L'inhalation de monoxyde de carbone peut provoquer des pertes de conscience et peut être mortelle. Ne jamais faire fonctionner le moteur dans un endroit clos ou ne serait-ce qu'en partie clos dans lequel des personnes sont susceptibles d'être présentes.

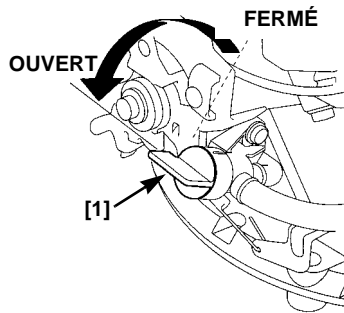
Respecter toutes les mesures de précaution indiquées dans le mode d'emploi du matériel entraîné concernant le démarrage, l'arrêt et le fonctionnement du moteur.

Ne pas faire fonctionner le moteur sur des pentes dont l'inclinaison est supérieure à 20°.

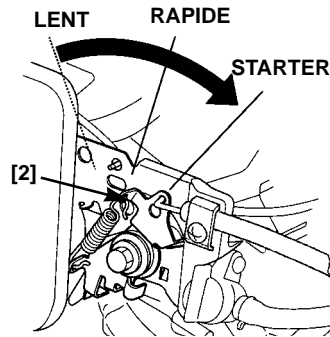
TYPE 1 : FREIN DE VOLANT/PAPILLON COMMANDÉ

Démarrage du moteur

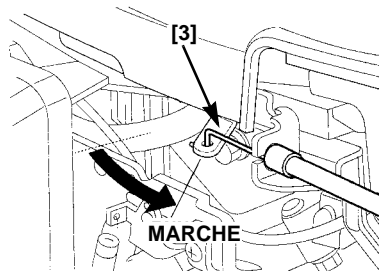
1. Mettre le robinet d'essence [1] en position OUVERT.



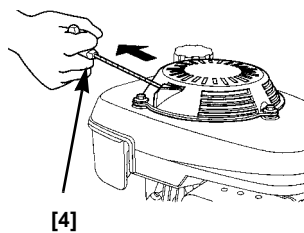
2. Consulter le mode d'emploi du matériel et placer la commande des gaz de manière à ce que le levier de starter/papillon [2] soit en position STARTER (moteur froid).



3. Consulter le mode d'emploi du matériel et placer la commande du frein de volant de manière à ce que le levier du frein de volant [3] soit en position MARCHÉ.



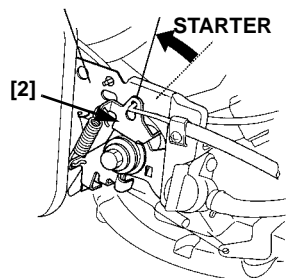
4. Tirer légèrement la poignée du démarreur [4] jusqu'à rencontrer une résistance, puis tirer vigoureusement.



AVIS

Ne pas lâcher la poignée et la laisser revenir violemment contre le moteur. La ramener doucement pour éviter d'endommager le démarreur.

5. Si le starter a été utilisé pour démarrer le moteur, placer le levier de starter/papillon [2] en position RAPIDE (ou régime élevé) dès que le moteur est suffisamment chaud pour tourner à un régime régulier sans le starter.

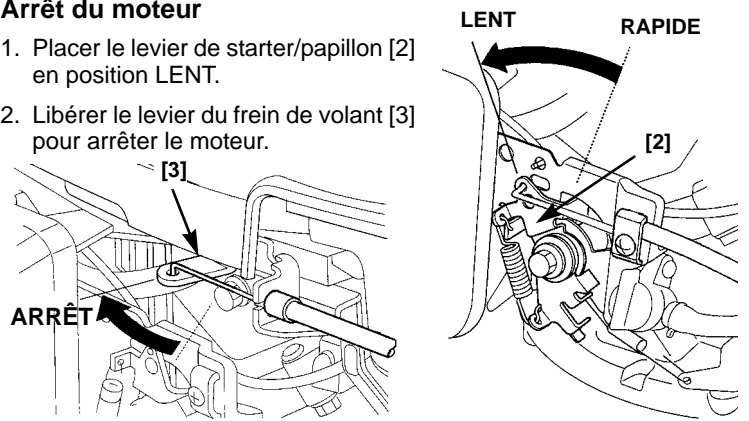


Réglage du papillon

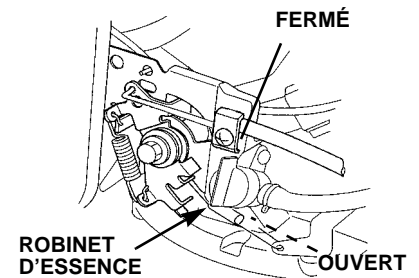
Régler le papillon de manière à obtenir le régime moteur souhaité. Pour obtenir un fonctionnement optimal du moteur, il est conseillé de l'utiliser avec le papillon en position RAPIDE (ou régime élevé).

Arrêt du moteur

1. Placer le levier de starter/papillon [2] en position LENT.
2. Libérer le levier du frein de volant [3] pour arrêter le moteur.



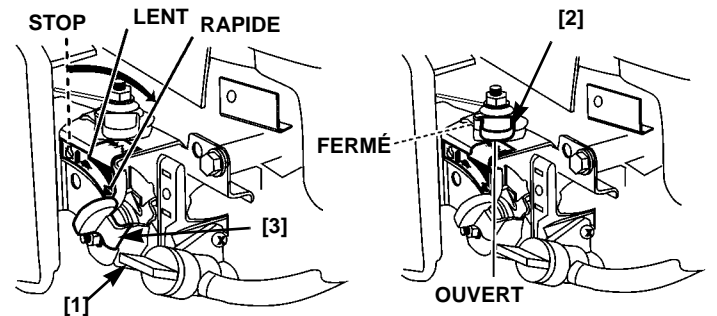
3. Mettre le robinet d'essence en position FERMÉ.



TYPE 2 : STARTER MANUEL/PAPILLON MANUEL

Démarrage du moteur

1. Mettre le robinet d'essence [1] en position OUVERT.
2. Mettre le levier de starter [2] en position OUVERT (moteur froid).
3. Mettre le levier de papillon en position [3] RAPIDE.



4. Tirer légèrement la poignée du démarreur jusqu'à rencontrer une résistance, puis tirer vigoureusement (voir instruction 4 du TYPE 1 page 4).
5. Si le starter a été utilisé pour démarrer le moteur, placer le levier de starter en position FERMÉ dès que le moteur est suffisamment chaud pour tourner à un régime régulier sans le starter.
6. Régler le levier de papillon de manière à obtenir le régime moteur souhaité. Pour obtenir un fonctionnement optimal du moteur, il est conseillé de l'utiliser avec le papillon en position RAPIDE (ou régime élevé).

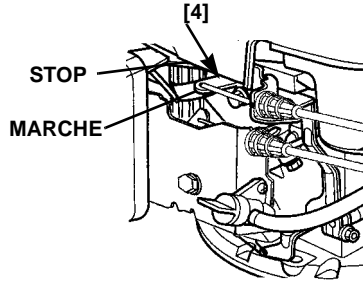
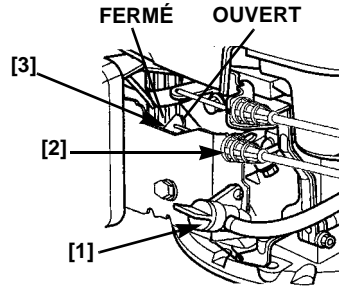
Arrêt du moteur

1. Mettre le levier de papillon en position LENT et laisser le moteur tourner au ralenti pendant quelques instants.
2. Mettre le levier de papillon en position STOP.
3. Mettre le robinet d'essence en position FERMÉ.

TYPE 3 : FREIN DE VOLANT/STARTER COMMANDÉ/ CARBURATEUR PRÉRÉGLÉ

Démarrage du moteur

1. Mettre le robinet d'essence [1] en position OUVERT.
2. Placer le câble de commande du starter [2] (voir mode d'emploi du matériel) de manière à mettre le starter [3] en position OUVERT (moteur froid).
3. Mettre le levier du frein de volant [4] en position MARCHÉ.
4. Tirer légèrement la poignée du démarreur jusqu'à rencontrer une résistance, puis tirer vigoureusement (voir instruction 4 du TYPE 1 page 4).
5. Si le starter a été utilisé pour démarrer le moteur, placer le câble de commande du starter de manière à ce que le bras de starter soit en position FERMÉ dès que le moteur est suffisamment chaud pour tourner à un régime régulier sans le starter.



Le régime de ce modèle de moteur est préréglé.

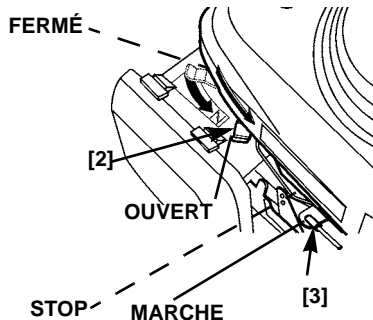
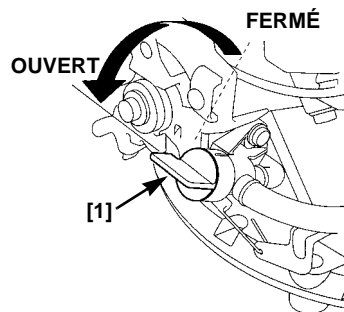
Arrêt du moteur

1. Libérer le levier du frein de volant pour arrêter le moteur.
2. Mettre le robinet d'essence en position FERMÉ.

TYPE 4 : STARTER À RETOUR AUTOMATIQUE/ CARBURATEUR PRÉRÉGLÉ

Démarrage du moteur

1. Mettre le robinet d'essence [1] en position OUVERT.
2. Mettre le levier de starter [2] en position starter (↑) (moteur froid).
3. Mettre le levier du frein de volant [3] en position MARCHÉ (RUN). Le levier du starter commence automatiquement à revenir en position FERMÉ (OFF) une fois que le levier du frein est en position MARCHÉ.
4. Démarrer le moteur.



Modèles à démarreur à enrouleur

Tirer légèrement la poignée du démarreur jusqu'à rencontrer une résistance, puis tirer vigoureusement (voir instruction 4 du Type 1 page 4). Commencer à tirer sur la corde du démarreur dès que le levier du frein à volant a été placé en position MARCHÉ et que le starter commence à revenir en position FERMÉ.

Si le moteur ne démarre avant que le starter soit revenu en position FERMÉ, répéter les instructions 2 et 3, puis continuer le démarrage.

Modèles à démarreur électrique

Placer le bouton de démarrage (installé sur le matériel) en position DÉMARRAGE (START) et l'y tenir jusqu'à ce que le moteur démarre. Une fois que le moteur a démarré, laisser le bouton revenir dans sa position normale.

AVIS

Pour éviter d'endommager le moteur, ne pas actionner le démarreur pendant plus de 5 secondes. Si le moteur ne démarre pas, relâcher le bouton et attendre 10 secondes avant d'actionner une nouvelle fois le démarreur.

Si le moteur ne démarre avant que le starter soit revenu en position FERMÉ, répéter les instructions 2 et 3, puis continuer le démarrage.

Le carburateur de ce modèle de moteur est préréglé.

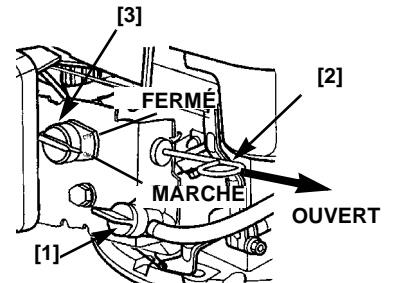
Arrêt du moteur

1. Libérer le levier du frein de volant pour actionner le frein et arrêter le moteur.
2. Mettre le robinet d'essence en position FERMÉ.

TYPE 5 : STARTER MANUEL/CARBURATEUR PRÉRÉGLÉ

Démarrage du moteur

1. Mettre le robinet d'essence [1] en position OUVERT.
2. Tirer la tige de starter [2] jusqu'à sa position OUVERT (moteur froid).
3. Mettre le bouton d'arrêt du moteur [3] en position MARCHÉ (ON).
4. Tirer légèrement la poignée du démarreur jusqu'à rencontrer une résistance, puis tirer vigoureusement (voir instruction 4 du TYPE 1 page 3).
5. Si le starter a été utilisé pour démarrer le moteur, placer la tige de starter en position FERMÉ dès que le moteur est suffisamment chaud pour tourner à un régime régulier sans le starter.



Le régime de ce modèle de moteur est préréglé.

Arrêt du moteur

1. Mettre le bouton d'arrêt du moteur en position ARRÊT (OFF).
2. Mettre le robinet d'essence en position FERMÉ.

TYPE 6 : PAPILLON COMMANDÉ/FREIN-EMBRAYAGE À AUBES

Démarrage du moteur

1. Mettre le robinet d'essence [1] en position OUVERT.
2. Mettre le levier de starter/papillon/arrêt [2] en position STARTER (moteur froid) ou RADIPÉ (moteur chaud).

S'assurer que le levier de commande de lame est dégagé (voir le mode d'emploi du matériel).

3. Démarrer le moteur.

Modèles à démarreur à enrouleur

Tirer légèrement la poignée du démarreur jusqu'à rencontrer une résistance, puis tirer vigoureusement (voir instruction 4 du TYPE 1 page 4).

Modèles à démarreur électrique

Placer le bouton de démarrage (installé sur le matériel) en position DÉMARRAGE et l'y tenir jusqu'à ce que le moteur démarre. Une fois que le moteur a démarré, laisser le bouton revenir dans sa position normale.

AVIS

Pour éviter d'endommager le moteur, ne pas actionner le démarreur pendant plus de 5 secondes. Si le moteur ne démarre pas, relâcher le bouton et attendre 10 secondes avant d'actionner une nouvelle fois le démarreur.

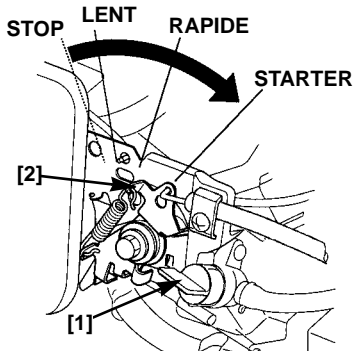
4. Dès que le moteur démarre, amener lentement le levier de starter/papillon/arrêt en position RAPIDE.
5. Laisser le moteur atteindre sa température normale de fonctionnement puis engager le levier de commande de lame (voir le mode d'emploi du matériel).

Réglage du papillon

Régler le levier de starter/papillon/arrêt de manière à obtenir le régime moteur souhaité. Pour obtenir un fonctionnement optimal du moteur, il est conseillé de l'utiliser avec le levier de starter/papillon/arrêt en position RAPIDE (ou régime élevé).

Arrêt du moteur

1. Dégager le levier de commande du frein-embayage (voir le mode d'emploi du matériel).
2. Amener le levier de starter/papillon/arrêt à sa position LENT et laisser le moteur tourner au ralenti pendant quelques instants.
3. Mettre le levier de starter/papillon/arrêt en position ARRÊT.
4. Mettre le robinet d'essence en position FERMÉ.

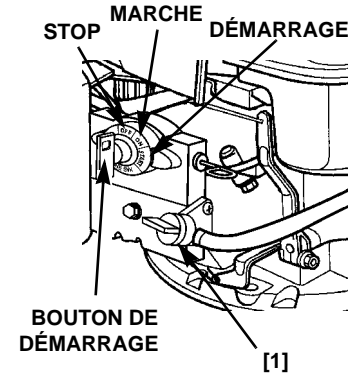


TYPE 7 : DÉMARREUR ÉLECTRIQUE AVEC BOUTON DE DÉMARRAGE MONTÉ SUR LE MOTEUR/ COMMANDE DE STARTER MANUELLE/ CARBURATEUR PRÉRÉGLÉ

Démarrage du moteur

1. Mettre le robinet d'essence [1] en position OUVERT (ON).
2. Tirer la tige de starter jusqu'à la position OUVERT (voir instruction 2 du TYPE 5 page 5) (moteur froid).
3. Utilisation du démarreur électrique

Placer le bouton de démarrage en position DÉMARRAGE et l'y tenir jusqu'à ce que le moteur démarre. Une fois que le moteur a démarré, laisser le bouton de démarrage revenir en position OUVERT.



AVIS

Pour éviter d'endommager le moteur, ne pas actionner le démarreur pendant plus de 5 secondes. Si le moteur ne démarre pas, relâcher le bouton et attendre 10 secondes avant d'actionner une nouvelle fois le démarreur.

Utilisation du démarreur à enrouleur

- a. Mettre le bouton de démarrage en position MARCHE.
 - b. Tirer légèrement la poignée du démarreur jusqu'à rencontrer une résistance, puis tirer vigoureusement (voir instruction 4 du TYPE 1 page 4).
4. Si le starter a été utilisé pour démarrer le moteur, placer la tige de starter en position FERMÉ dès que le moteur est suffisamment chaud pour tourner à un régime régulier sans le starter.

Le régime de ce modèle de moteur est préréglé.

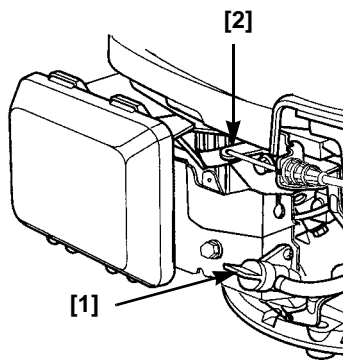
Arrêt du moteur

1. Placer le bouton de démarrage en position STOP.
2. Mettre le robinet d'essence en position FERMÉ.

TYPE 8 : STARTER AUTOMATIQUE/CARBURATEUR PRÉRÉGLÉ

Démarrage du moteur

1. Mettre le robinet d'essence [1] en position OUVERT.
2. Mettre le levier du frein de volant [2] en position MARCHE.
3. Tirer légèrement la poignée du démarreur jusqu'à rencontrer une résistance, puis tirer vigoureusement (voir instruction 4 du TYPE 1 page 4).



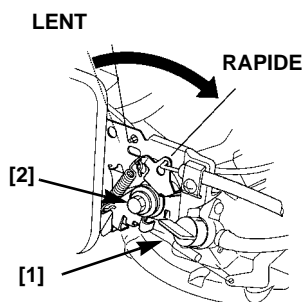
Arrêt du moteur

1. Libérer le levier du frein de volant pour actionner le frein et arrêter le moteur.
2. Mettre le robinet d'essence en position FERMÉ.

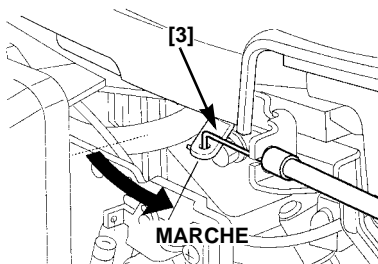
TYPE 9 : FREIN DE VOLANT/STARTER AUTOMATIQUE/PAPILLON COMMANDÉ

Démarrage du moteur

1. Mettre le robinet d'essence [1] en position OUVERT.
2. Consulter le mode d'emploi du matériel et placer la commande des gaz de manière à ce que le levier de papillon [2] soit en position RAPIDE.



3. Consulter le mode d'emploi du matériel et placer la commande du frein de volant de manière à ce que le levier du frein de volant [3] soit en position MARCHE.



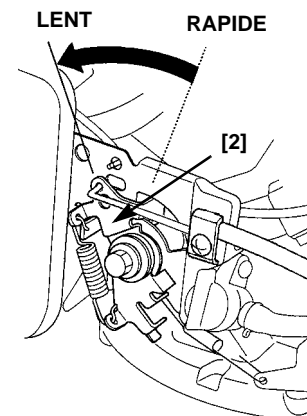
4. Tirer légèrement la poignée du démarreur jusqu'à rencontrer une résistance, puis tirer vigoureusement (voir instruction 4 du TYPE 1 page 4).

Réglage du papillon

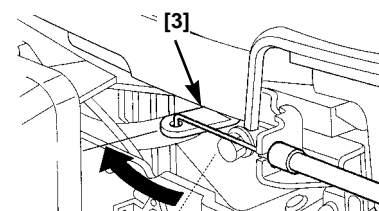
Régler le papillon de manière à obtenir le régime moteur souhaité. Pour obtenir un fonctionnement optimal du moteur, il est conseillé de l'utiliser avec le papillon en position RAPIDE (ou régime élevé).

Arrêt du moteur

1. Placer le levier de papillon [2] en position LENT.



2. Libérer le levier du frein de volant [3] pour arrêter le moteur.

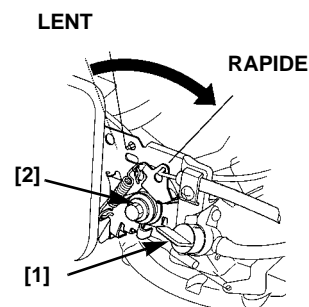


3. Mettre le robinet d'essence en position FERMÉ.

TYPE 10 : STARTER AUTOMATIQUE/PAPILLON COMMANDÉ/FREIN-EMBRAYAGE À AUBES (COMMANDE DE MATÉRIEL)

Démarrage du moteur

1. Mettre le robinet d'essence [1] en position OUVERT.
2. Consulter le mode d'emploi du matériel et placer la commande des gaz de manière à ce que le levier de papillon [2] soit en position RAPIDE.
3. S'assurer que le levier de commande de lame est dégagé (voir le mode d'emploi du matériel).
4. Tirer légèrement la poignée du démarreur jusqu'à rencontrer une résistance, puis tirer vigoureusement (voir instruction 4 du TYPE 1 page 4).



Réglage du papillon

Régler le levier de starter/papillon/arrêt de manière à obtenir le régime moteur souhaité. Pour obtenir un fonctionnement optimal du moteur, il est conseillé de l'utiliser avec le levier de papillon/arrêt en position RAPIDE (ou régime élevé).

Arrêt du moteur

1. Dégager le levier de commande du frein-embayage (voir le mode d'emploi du matériel).
2. Amener le levier de papillon/arrêt à sa position LENT et laisser le moteur tourner au ralenti pendant quelques instants.
3. Mettre le levier de papillon/arrêt en position ARRÊT.
4. Mettre le robinet d'essence en position FERMÉ.

ENTRETIEN DU MOTEUR

L'IMPORTANCE DE L'ENTRETIEN

Le bon entretien du moteur est une condition essentielle à un fonctionnement sûr, économique et sans problème. Il permet également de réduire la pollution.

AVERTISSEMENT

Un entretien inadéquat ou l'existence de problèmes non résolus avant la mise en marche peuvent entraîner un mauvais fonctionnement pouvant présenter un danger de blessure grave ou de mort.

Veiller à toujours respecter les conseils de contrôle et d'entretien ainsi que le calendrier d'entretien figurant dans ce manuel.

Les pages qui suivent comprennent un calendrier d'entretien, des procédures de contrôles périodiques et des procédures d'entretien simples ne nécessitant qu'un outillage de base. D'autres opérations d'entretien plus difficiles, ou nécessitant des outils spéciaux, sont à confier préférablement à des professionnels et sont normalement effectuées par un technicien Honda ou autre mécanicien qualifié.

Le calendrier d'entretien s'applique pour des conditions d'exploitation normales. Si le moteur est utilisé dans des conditions sévères, notamment forte charge continue ou température élevée ou dans un milieu particulièrement humide ou poussiéreux, obtenir des conseils adaptés aux besoins et à l'emploi particulier du moteur auprès du concessionnaire.

Garder à l'esprit qu'un concessionnaire Honda agréé connaît très bien le moteur et est entièrement équipé pour son entretien et sa réparation.

Pour assurer une qualité et une fiabilité optimales, toujours utiliser des pièces Honda d'origine ou leurs équivalents pour les réparations et l'entretien.

L'entretien, le remplacement ou la réparation des systèmes et dispositifs de contrôle des émissions peut être confié à tout mécanicien ou atelier de réparation de moteurs, en veillant à utiliser des pièces homologuées aux normes EPA.

MESURES DE SÉCURITÉ CONCERNANT L'ENTRETIEN

Les mesures de sécurité qui suivent sont extrêmement importantes. Toutefois, il n'est pas possible de mettre en garde contre tous les risques potentiellement associés aux opérations d'entretien. Seul l'utilisateur peut décider ou non d'effectuer une tâche particulière.

AVERTISSEMENT

Pour écarter les dangers de mort ou de blessure grave, veiller à bien respecter les mesures de précaution et les instructions d'entretien.

Toujours respecter les procédures et mesures de précaution figurant dans ce manuel.

MESURES DE PRÉCAUTION

- S'assurer que le moteur est arrêté avant de débiter toute opération d'entretien ou de réparation. Ceci élimine plusieurs dangers potentiels :
 - **Intoxication au monoxyde de carbone de l'échappement.** Vérifier que la ventilation est suffisante pour faire fonctionner le moteur.
 - **Brûlures sur les pièces chaudes.** Laisser le moteur et l'échappement refroidir avant de les toucher.
 - **Blessures dues aux pièces en mouvement.** Sauf instruction contraire, ne pas faire tourner le moteur.
- Lire les instructions avant de débiter et veiller à avoir l'outillage et les compétences requis.

- Pour réduire le risque d'incendie ou d'explosion, faire preuve de prudence en travaillant au voisinage de l'essence. Nettoyer les pièces avec un solvant ininflammable, pas de l'essence. Tenir les cigarettes, étincelles et flammes nues à l'écart de toutes les pièces au contact avec l'essence.

CALENDRIER D'ENTRETIEN

Élément (1)	Action	Avant chaque utilisation	Premier mois ou 5 h	Chaque saison		Toutes les 100 h	Toutes les 150 h	Page
				ou 25 h	ou 50 h			
Huile moteur	Contrôler	○						9
	Vidanger		○		○ (3)			9
Filtre à air	Contrôler	○			○			10
	Nettoyer			○ (2)				
	Changer						○ (200 h)	
Bougie	Contrôler -Régler				○			10
	Changer						○ (200 h)	
Frein-embayage	Contrôler					○		*
Semelle du frein de volant	Contrôler				○			10
Pare-étincelles (types applicables)	Nettoyer					○		11
Régime de ralenti	Régler						○ (4)	Manuel de réparation
Réservoir et filtre à essence	Contrôler					○ (4)		Manuel de réparation
Jeu des soupapes	Contrôler -Régler					○ (4)		Manuel de réparation
Conduite d'essence	Contrôler						Tous les 2 ans (4)	Manuel de réparation
Chambre de combustion	Nettoyer						Toutes les 250 heures (4)	Manuel de réparation

- (1) En cas d'utilisation commerciale, tenir un registre des durées d'utilisation pour déterminer les intervalles d'entretien appropriés.
 - (2) Dans les milieux poussiéreux, effectuer un entretien plus fréquent.
 - (3) En cas d'utilisation sous forte charge ou à une température ambiante élevée, effectuer une vidange d'huile toutes les 25 heures.
 - (4) Ces opérations d'entretien sont à confier à un concessionnaire Honda agréé, à moins d'avoir l'outillage et les compétences mécaniques requis. Se reporter aux procédures d'entretien figurant dans le manuel de réparation.
- * Voir le mode d'emploi du matériel entraîné ou le manuel de réparation moteur Honda.

L'inobservation de ce programme d'entretien peut entraîner des problèmes non couverts par la garantie.

REPLISSAGE DU RÉSERVOIR D'ESSENCE

Ce moteur est certifié pour fonctionner à l'essence sans plomb avec un indice d'octane minimal de 86.

Faites le plein dans un endroit bien aéré avec le moteur coupé. Si le moteur est déjà chaud, attendez qu'il refroidisse. Ne faites jamais le plein d'essence dans un local mal ventilé ou les vapeurs pourraient s'accumuler et entrer en contact avec une flamme ou une étincelle.

Vous pouvez utiliser de l'essence sans plomb contenant 10% d'éthanol maximum (E10) ou 5% de méthanol par volume. En outre, le méthanol doit contenir des cosolvants ainsi que des inhibiteurs de corrosion. Si vous utilisez du carburant dont la teneur en éthanol ou méthanol est supérieure aux spécifications stipulées ci-dessus, le démarrage et/ou la performance risquent d'être affectés. En outre, les

pièces métalliques, en caoutchouc et en plastique du circuit de carburant pourraient subir des dommages. Les dommages au moteur ou problèmes de performance provenant d'un carburant aux pourcentages d'éthanol ou de méthanol supérieurs à ceux stipulés ci-dessus ne sont pas couverts par la garantie.

Si votre matériel est destiné à être utilisé peu fréquemment ou par périodes, merci de consulter le paragraphe sur le carburant du chapitre STOCKAGE (page 11) pour en savoir plus sur le risque de dégradation du carburant.

⚠ AVERTISSEMENT

L'essence est hautement inflammable et explosive et le remplissage du réservoir présente un risque de brûlure ou de blessure grave.

- Arrêter le moteur et tenir la chaleur, les étincelles et les flammes à l'écart.
- Remplir le réservoir à l'extérieur uniquement.
- Essuyer immédiatement les déversements.

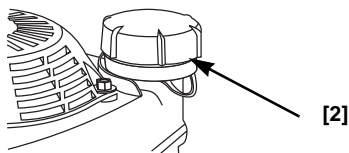
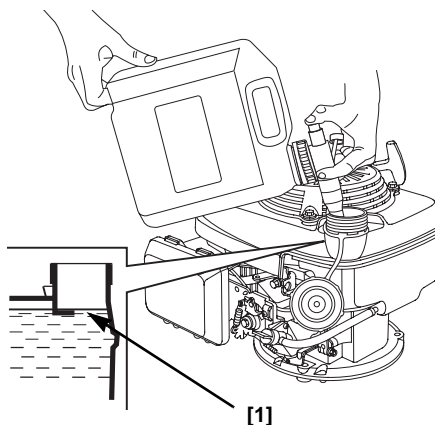
AVIS

L'essence peut endommager la peinture et certains plastiques. Prendre garde à ne pas renverser d'essence en remplissant le réservoir. Les dommages causés par les déversements d'essence ne sont pas couverts par la Garantie limitée du distributeur.

Ne jamais utiliser d'essence viciée ou contaminée ni de mélange huile-essence. Éviter d'introduire de la saleté ou de l'eau dans le réservoir.

Remplissage du réservoir

1. Enlever le bouchon d'essence.
2. Verser l'essence jusqu'au bas de la limite de niveau d'essence dans le col du réservoir. Ne pas trop remplir [1]. Essuyer l'essence renversée avant de démarrer le moteur.
3. Fixez le bouchon du réservoir d'essence [2].
4. Eloignez-vous d'au moins 3 m de toute source de carburant et site de remplissage avant de mettre le moteur en marche.

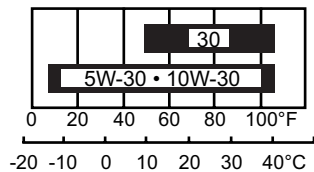


HUILE MOTEUR

L'huile est un facteur déterminant pour la performance et la durée de service. Utiliser une huile automobile 4 temps détergente.

Huile conseillée

Utiliser une huile moteur 4 temps conforme ou supérieure aux exigences de la classe de service API SJ ou équivalent. Toujours consulter l'étiquette API sur le bidon d'huile pour s'assurer qu'elle comporte les codes SJ ou équivalent.

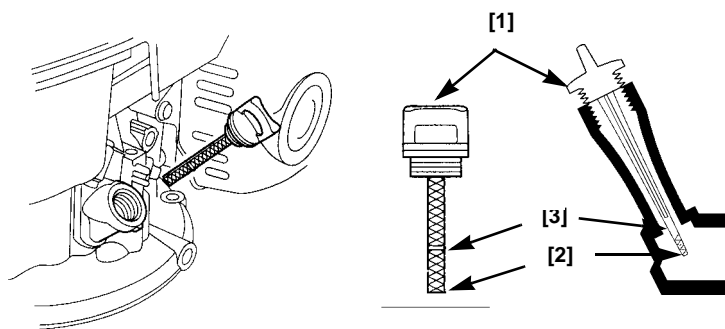


TEMPÉRATURE AMBIANTE

L'huile SAE 10W-30 est conseillée pour les emplois courants. Les autres viscosités préconisées dans le graphique sont à utiliser lorsque la température ambiante moyenne est dans la plage indiquée.

Contrôle du niveau d'huile

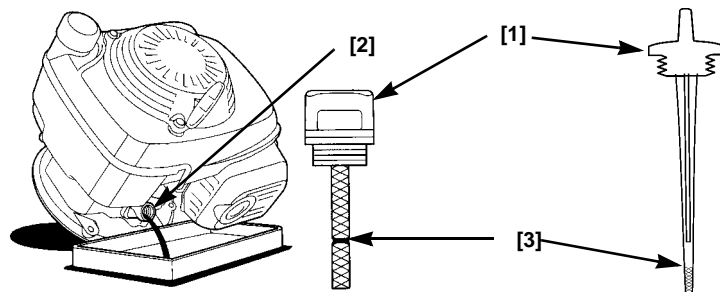
1. Vérifier l'huile avec le moteur arrêté et horizontal.
2. Ouvrir le bouchon-jauge d'huile et l'essuyer.



3. Introduire le bouchon-jauge d'huile [1] dans le col de remplissage d'huile comme sur l'illustration, mais ne pas le visser, puis l'extraire pour contrôler le niveau d'huile.
4. Si le niveau d'huile est proche ou en dessous du repère de limite inférieure [2] sur la jauge, enlever le bouchon d'huile et remplir avec l'huile conseillée jusqu'au repère supérieur [3]. Ne pas trop remplir.
5. Remettre le bouchon-jauge d'huile [1] en place.

Vidange d'huile

Vidanger l'huile moteur lorsque le moteur est chaud. L'huile chaude s'écoule plus rapidement et complètement.



1. Mettre le robinet d'essence en position FERMÉ pour réduire le risque de fuite d'essence.
2. Placer un récipient approprié à côté du moteur pour recueillir l'huile usagée.
3. Enlever le bouchon-jauge d'huile [1] et vider l'huile dans le récipient en inclinant le moteur du côté de l'orifice de remplissage d'huile [2].

Éliminer l'huile moteur usagée de façon compatible avec la protection de l'environnement. Nous conseillons de porter l'huile usagée, dans un récipient hermétique, au centre de recyclage local ou à une station service. Ne pas jeter aux ordures ni verser sur le sol ou avec les eaux usées.

4. Le moteur étant en position horizontale, le remplir avec l'huile conseillée (voir plus haut) jusqu'au repère de limite supérieure [3] sur la jauge.

AVIS

Faire tourner le moteur avec un niveau d'huile insuffisant peut l'endommager.

5. Bien remettre le bouchon-jauge d'huile en place.

FILTRE À AIR

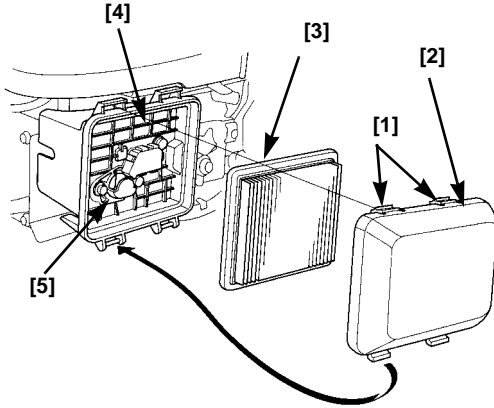
Un filtre à air sale restreint le débit d'air vers le carburateur et cause un mauvais fonctionnement du moteur. Contrôler le filtre à chaque utilisation du moteur. Le filtre doit être nettoyé plus fréquemment si le moteur est utilisé dans des milieux très poussiéreux.

AVIS

L'utilisation du moteur sans élément filtrant ou avec un élément endommagé permet à la poussière de pénétrer dans le moteur, ce qui cause une usure plus rapide. Ce type de dommage n'est pas couvert par la Garantie limitée du distributeur.

Contrôle

1. Appuyer sur les languettes de fixation [1] au sommet du capot du filtre à air [2] et déposer le capot. Contrôler la propreté et l'état de l'élément filtrant.
2. Reposer l'élément filtrant [3] et le capot du filtre à air.



Nettoyage

1. Tapoter l'élément filtrant plusieurs fois sur une surface dure pour éliminer la saleté ou le passer à l'air comprimé sans dépasser 207 kPa depuis le côté propre, celui qui fait face au moteur. Ne jamais tenter de nettoyer la saleté à la brosse. Le brossage incruste la saleté dans les fibres.
2. Essuyer la saleté du corps et du capot de filtre à air [4] avec un chiffon humide. Prendre garde à empêcher la saleté d'entrer dans le conduit d'air [5] du carburateur.

BOUGIE

Bougie d'allumage conseillée :

NGK BPR6ES (application nettoyage à pression)
NGK BPR5ES (toute autre application)

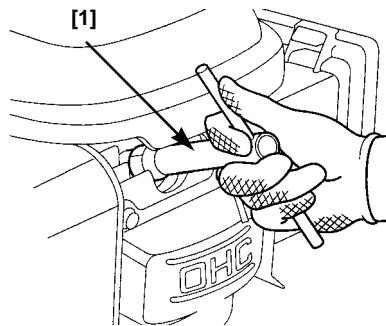
La bougie conseillée a une gamme thermique qui convient pour les températures normales de fonctionnement du moteur.

AVIS

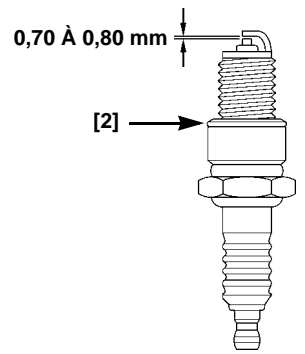
Des bougies inadaptées peuvent endommager le moteur.

Pour bien fonctionner, la bougie doit être propre et présenter un écartement correct.

1. Débrancher le capuchon de bougie et éliminer toute la saleté au voisinage de la bougie.
2. Déposer la bougie à l'aide d'une clé à bougie [1] de taille correcte.



3. Contrôler la bougie. La changer si elle est endommagée, très encrassée, si la rondelle d'étanchéité [2] est en mauvais état ou si l'électrode est usée.



4. Mesurer l'écartement des électrodes avec une jauge d'épaisseur. L'écartement correct est de 0,70 à 0,80 mm. Si un ajustement est nécessaire, corriger l'écartement avec précaution en courbant l'électrode latérale.
5. Revisser la bougie avec précaution, à la main, pour éviter de fausser le filetage.
6. Une fois la bougie en place, la serrer avec une clé à bougie de taille correcte pour comprimer la rondelle.

Lors de la pose d'une bougie neuve, serrer de 1/2 tour une fois qu'elle est au fond du filet pour comprimer la rondelle.

Lors de la réutilisation de la bougie d'origine, serrer de 1/8 à 1/4 de tour une fois qu'elle est au fond du filet pour comprimer la rondelle.

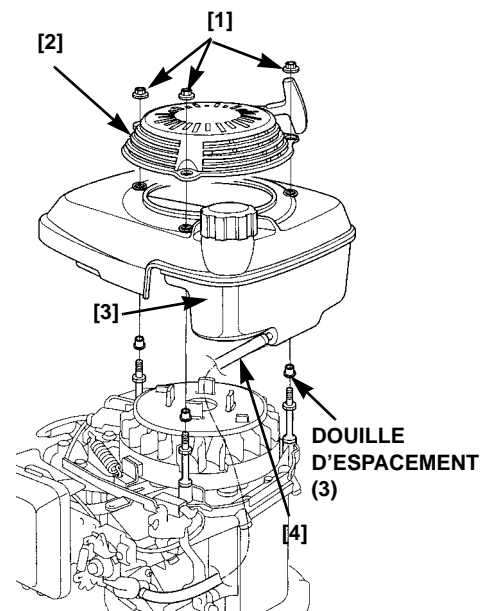
AVIS

Serrer correctement la bougie. Une bougie mal serrée peut chauffer fortement et endommager le moteur. Un serrage excessif de la bougie peut endommager le taraudage de la culasse.

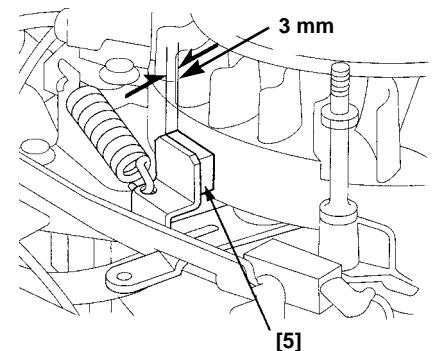
7. Poser le capuchon de bougie sur la bougie.

CONTRÔLE DU FREIN DE VOLANT

1. Déposer les trois écrous à embase [1] du démarreur à enrouleur [2] et déposer le démarreur du moteur.
2. Déposer le réservoir d'essence [3] du moteur sans débrancher la durite d'essence [4]. Si le réservoir contient de l'essence, le maintenir horizontal durant la dépose et le placer à côté du moteur en position horizontale.



3. Mesurer l'épaisseur de la semelle de frein [5]. Si elle est inférieure à 3 mm, porter le moteur chez un concessionnaire Honda.
4. Remettre le réservoir d'essence et le démarreur en place et bien resserrer les trois écrous.



PARE-ÉTINCELLES (types applicables)

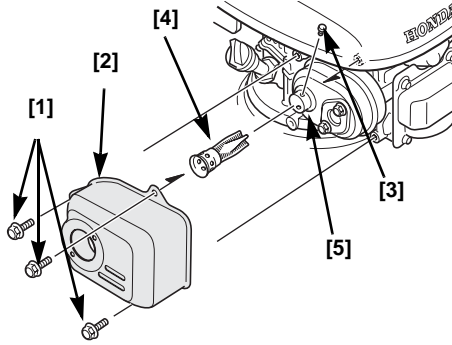
Selon le type de moteur, le pare-étincelles peut être une pièce standard ou en option. Dans certaines zones, il n'est pas autorisé d'utiliser un moteur sans pare-étincelles. Se renseigner sur la réglementation locale. Un pare-étincelles est en vente chez les concessionnaires Honda agréés.

Pour assurer son bon fonctionnement, le pare-étincelles doit faire l'objet d'un entretien toutes les 100 heures.

Après la marche du moteur, le silencieux est chaud. Le laisser refroidir avant d'intervenir sur le pare-étincelles.

Dépose du pare-étincelles

1. Déposer les trois vis [1] de 6 mm du capot de silencieux [2] et déposer le capot de silencieux.
2. Déposer la vis spéciale [3] du pare-étincelles puis déposer le pare-étincelles [4] du silencieux [5].



Nettoyage et contrôle du pare-étincelles

1. À l'aide d'une brosse, éliminer les dépôts de carbone du grillage du pare-étincelles. Prendre garde à ne pas endommager le grillage. Changer le pare-étincelles s'il est fissuré ou percé.
2. Remonter le pare-étincelle dans l'ordre inverse de la dépose.



STOCKAGE DU MOTEUR

Préparation au stockage

Une préparation correcte au stockage est essentielle au maintien du moteur en bon état. Les mesures qui suivent aideront à empêcher la rouille et la corrosion de compromettre le fonctionnement et l'apparence du moteur et permettront un démarrage plus facile lors de la remise en service.

Nettoyage

Si le moteur a fonctionné, le laisser refroidir pendant au moins une demi-heure avant de le nettoyer. Nettoyer toutes les surfaces externes, retoucher la peinture endommagée et enduire d'une fine pellicule d'huile toutes les surfaces susceptibles de rouiller.

AVIS

L'emploi d'un tuyau d'arrosage ou d'un nettoyeur haute pression peut faire pénétrer de l'eau dans le filtre à air ou le silencieux. Dans le filtre à air, l'eau peut imbibier l'élément filtrant et l'eau pénétrant dans le filtre à air ou le silencieux peut parvenir jusqu'au cylindre et causer des dommages.

Essence

AVIS

Selon la région d'utilisation de votre matériel, certaines formules de carburant peuvent se dégrader et s'oxyder rapidement. Le carburant peut se dégrader et s'oxyder en seulement 30 jours et peut endommager le carburateur ou le circuit d'alimentation. Merci de prendre connaissance des recommandations locales de stockage auprès de votre concessionnaire réparateur.

L'essence s'oxyde et se détériore durant le stockage. Une essence détériorée cause des problèmes de démarrage et laisse un dépôt gommeux qui obstrue le circuit d'essence. Si l'essence du moteur s'est détériorée durant le stockage, il peut être nécessaire d'effectuer l'entretien du carburateur et d'autres éléments du circuit d'essence ou de les changer.

La durée pendant laquelle l'essence peut être conservée dans le réservoir et le carburateur sans causer de problème de fonctionnement dépend de facteurs tels que le mélange d'essence, la température de stockage et le niveau de remplissage du réservoir d'essence. L'air présent dans un réservoir partiellement plein favorise la détérioration de l'essence. Les températures de stockage élevées accélèrent la détérioration de l'essence. Les problèmes d'essence peuvent se produire au bout de quelques mois, voire moins si l'essence n'est pas fraîche au moment du remplissage du réservoir.

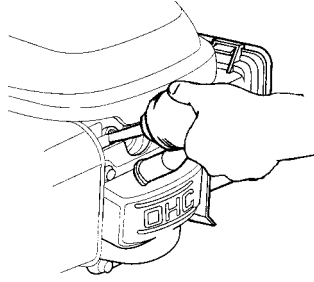
Les dommages du circuit d'essence ou les problèmes de marche du moteur résultant d'une mauvaise préparation au stockage ne sont pas couverts par la garantie du moteur.

Pour éviter tout problème lié au carburant :

1. Verser le stabilisateur d'essence conformément aux instructions du fabricant.
Lors de l'ajout de stabilisateur d'essence, remplir le réservoir d'essence fraîche. Si le réservoir n'est que partiellement plein, l'air présent favorisera la détérioration de l'essence durant le stockage. Si l'essence utilisée provient d'un bidon, s'assurer qu'elle est fraîche.
2. Après avoir ajouté le stabilisateur, faire tourner le moteur à l'extérieur pendant 10 minutes pour s'assurer que l'essence non traitée est remplacée par l'essence traitée dans le carburateur.
3. Mettre le robinet d'essence en position FERMÉ (voir instruction 1 du TYPE 1 page 4).
4. Continuez à laisser tourner le moteur jusqu'à ce qu'il s'arrête à cause du manque de carburant dans la cuve du carburateur. Le moteur ne devrait pas tourner plus de 3 minutes.

Huile moteur

1. Vidanger l'huile moteur (voir page 9).
2. Déposer la bougie (voir page 10).
3. Verser 5 à 10 cc d'huile moteur propre dans le cylindre.
4. Tirer plusieurs fois sur le démarreur à enrouleur pour distribuer l'huile.
5. Remettre la bougie en place.



Mesures de précaution pour le stockage

Si le moteur doit être stocké avec de l'essence dans le moteur et le carburateur, il importe de réduire le risque d'inflammation des vapeurs d'essence. Choisir une zone de stockage bien ventilée à l'écart de tout appareil fonctionnant avec une flamme, notamment chaudière, chauffe-eau ou sèche-linge. Éviter également toute zone où sont utilisés des moteurs électriques produisant des étincelles ou autre outillage électrique.

Autant que possible, éviter les zones de stockage fortement humides susceptibles de favoriser la rouille et la corrosion.

Si le réservoir contient de l'essence, laisser le robinet d'essence en position FERMÉ (voir instruction 1 du TYPE 1 page 4).

Stocker le moteur en position horizontale. L'inclinaison peut causer des fuites d'essence ou d'huile.

Lorsque le moteur est froid, y compris son système d'échappement, le couvrir pour le protéger de la poussière. Un moteur ou un pot d'échappement chauds peuvent enflammer ou faire fondre certains matériaux. Ne pas couvrir avec une bâche en plastique. Une couverture non poreuse piégera l'humidité autour du moteur, favorisant la rouille et la corrosion.

Remise en service après stockage

Effectuer les contrôles du moteur figurant dans la section **CONTRÔLES AVANT UTILISATION** de ce manuel (voir page 3).

Si l'essence a été vidangée avant le stockage, remplir le réservoir d'essence fraîche. Si l'essence utilisée provient d'un bidon, s'assurer qu'elle est fraîche. L'essence s'oxyde et se détériore avec le temps, causant des démarrages difficiles.

Si le cylindre a été enduit d'huile avant le stockage, le moteur fumera quelques instants au démarrage. Ceci est normal.

TRANSPORT

Pour réduire le risque de fuite d'essence, maintenir le moteur horizontal durant le transport. Mettre le robinet d'essence en position FERMÉ (voir instruction 1 du TYPE 1 page 4).

Pour les procédures à suivre lors du transport, référez-vous aux instructions fournies avec le matériel fonctionnant grâce au moteur

RÉGLER DES PROBLÈMES IMPRÉVUS

LE MOTEUR NE DÉMARRE PAS

Cause possible	Correction
Robinet d'essence FERMÉ.	Mettre le robinet en position OUVERT.
Starter FERMÉ.	Mettre le levier de starter/papillon, la tige de starter ou le levier de starter en position STARTER OUVERT, sauf si le moteur est chaud.
Le bouton de contact ou d'arrêt du moteur est sur ARRÊT (OFF).	Mettre le levier du frein de volant en position MARCHÉ. (Types 2 et 6 : Levier de papillon en position RAPIDE. Type 5 : Bouton d'arrêt moteur sur MARCHÉ [ON])
Modèles à démarreur électrique : Batterie insuffisamment chargée. Câbles de batterie desserrés ou corrodés. Fusible grillé.	Se reporter aux instructions du fabricant du matériel concernant l'entretien de la batterie et des éléments associés.
Panne d'essence.	Refaire le plein.
Essence viciée ; moteur stocké sans traiter l'essence ou rempli avec de l'essence viciée.	Remplir d'essence fraîche.
Bougie défectueuse, encrassée ou mal réglée.	Changer la bougie (page 10).
Bougie mouillée à l'essence (moteur noyé).	Sécher la bougie et la remettre en place. Démarrer le moteur avec le levier de starter/papillon en position RAPIDE. (Types 4 et 5 : Starter en position FERMÉ)
Filtre à essence obstrué, mauvais fonctionnement du carburateur, problème d'allumage, soupapes grippées, etc.	Changer ou réparer les éléments défectueux.

LE MOTEUR MANQUE DE PUISSANCE

Cause possible	Correction
Le filtre à air obstrué.	Nettoyer ou changer le filtre (page 10).
Essence viciée ; moteur stocké sans traiter l'essence ou rempli avec de l'essence viciée.	Remplir d'essence fraîche.
Filtre à essence obstrué, mauvais fonctionnement du carburateur, problème d'allumage, soupapes grippées, etc.	Changer ou réparer les éléments défectueux.

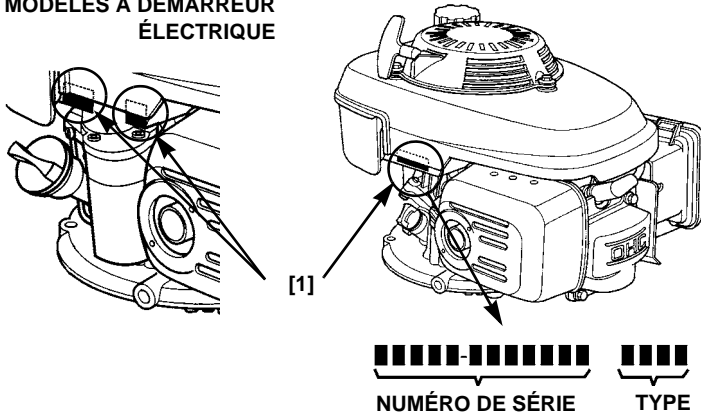
INFORMATIONS TECHNIQUES

Emplacement du numéro de série et du type

Noter le numéro de série du moteur et le type dans l'espace ci-dessous. Cette information est nécessaire pour la commande de pièces, les demandes techniques ou le recours à la garantie.

MODÈLE	NUMÉRO DE SÉRIE	TYPE DE MOTEUR
GCV160	_____	_____
GCV190	_____	_____
DATE D'ACHAT		

MODÈLES À DÉMARREUR ÉLECTRIQUE



Étiquette sur le brouillage radioélectrique (Canada)

Ce moteur est conforme aux normes de brouillage radioélectrique du Canada, NMB-002.

THIS SPARK IGNITION SYSTEM COMPLIES WITH CANADIAN ICES-002.
CE SYSTÈME D'ALLUMAGE PAR ÉTINCELLE EST CONFORME À LA NORME NMB-002 DU CANADA.

Modifications du carburateur pour l'utilisation à haute altitude

À haute altitude, le mélange air-essence du carburateur standard est trop riche. Le rendement baisse et la consommation d'essence augmente. Un mélange très riche peut également encrasser la bougie et causer des problèmes de démarrage. L'utilisation pendant des périodes prolongées à une altitude autre que celle pour laquelle le moteur est homologué peut accroître les émissions.

Le fonctionnement à haute altitude peut être amélioré par modification du carburateur. Si le moteur est toujours utilisé à des altitudes supérieures à 1500 mètres, faire effectuer cette modification du carburateur par le revendeur. Lorsqu'il est utilisé en altitude avec un carburateur modifié pour la haute altitude, ce moteur se conforme à toutes les normes d'émissions pendant toute sa durée de service.

Même avec un carburateur modifié, la puissance du moteur diminue d'environ 3,5% pour chaque élévation supplémentaire de 300 mètres. L'effet de l'altitude sur la puissance est encore plus important avec un carburateur non modifié.

AVIS

Lorsque le carburateur a été modifié pour une utilisation à haute altitude, le mélange air-essence est trop pauvre pour les basses altitudes. L'utilisation à des altitudes inférieures à 1 500 mètres avec un carburateur modifié peut causer une surchauffe et des dommages importants du moteur. Pour les emplois à basse altitude, faire remettre le carburateur dans son état d'origine par le revendeur.

INFORMATION SUR LE SYSTÈME ANTIPOLLUTION

Sources des émissions

Le processus de combustion produit du monoxyde de carbone, des oxydes d'azote et des hydrocarbures. Le contrôle des hydrocarbures et des oxydes d'azote est très important parce que, dans certaines conditions, ils réagissent pour former un brouillard photochimique lorsqu'ils sont soumis à la lumière du soleil. Le monoxyde de carbone ne réagit pas de la même façon, mais il est très toxique.

Honda utilise des proportions air/essence appropriées ainsi que d'autres systèmes antipollution afin de réduire les émissions de monoxyde de carbone, d'oxydes d'azote et d'hydrocarbures. De plus, les systèmes d'alimentation de Honda utilisent des composants et des technologies anti-pollution visant à réduire les émissions par évaporation.

Lois sur l'assainissement de l'air des États-Unis et de la Californie

La réglementation de l'EPA et de l'état de la Californie exige que tous les fabricants fournissent des instructions écrites expliquant le fonctionnement et l'entretien des systèmes antipollution.

Les instructions et procédures suivantes doivent être observées afin d'assurer la conformité de votre moteur Honda avec les normes sur les émissions en vigueur.

Modification et altération

La modification ou l'altération du système antipollution peut entraîner une augmentation des émissions au-delà des limites permises. En vertu de ces lois, la modification est définie comme suit :

- Dépose ou altération de toute pièce de la tubulure d'admission, du système d'alimentation en essence ou du système d'échappement.
- Altération ou modification de la tringlerie du régulateur ou du mécanisme de réglage de la vitesse entraînant le fonctionnement du moteur au-delà des paramètres de conception.

Problèmes pouvant avoir des effets sur les émissions

Si votre moteur présente l'un des symptômes suivants, faites inspecter ou réparer votre moteur par votre concessionnaire.

- Démarrage difficile et calage du moteur après le démarrage.
- Ralenti difficile.
- Raté d'allumage ou retour de flamme (backfire) sous charge.
- Postcombustion (backfire).
- Fumée d'échappement ou consommation élevée d'essence.

Pièces de remplacement

Les systèmes antipollution de votre moteur Honda ont été conçus et fabriqués pour répondre aux normes sur les émissions de l'EPA et de l'état de la Californie. Nous vous recommandons d'utiliser des pièces Honda d'origine pour tout entretien. Ces pièces de remplacement d'origine sont fabriquées suivant les mêmes normes que les pièces d'origine, vous pouvez ainsi vous fier à leur rendement. L'utilisation de pièces de remplacement autres que des pièces d'origine peut affecter le rendement de votre système antipollution.

Il incombe aux fabricants de pièces de rechange de s'assurer que les pièces n'entraîneront pas une diminution du rendement en matière de contrôle des émissions. Le fabricant ou l'atelier de remise à neuf de ces pièces doivent certifier que l'utilisation de ces pièces n'entraînera pas la non-conformité du moteur en ce qui a trait aux normes sur les émissions.

Entretien

Observez le calendrier d'entretien de la page 8. Rappelez-vous que le calendrier a été conçu suivant l'utilisation du moteur aux fins prescrites. Une utilisation prolongée sous charge ou un fonctionnement à haute température, ou l'utilisation du moteur dans des milieux très humides ou secs, exigera davantage d'entretien.

Indice d'air

Une étiquette ou une étiquette volante sur l'indice d'air est apposée sur les moteurs étant certifiés pour une période de conformité donnée en matière d'émissions suivant les normes du California Air Resource Board.

Le diagramme à barres a été conçu afin que nos clients puissent comparer le rendement en matière d'émissions des moteurs disponibles. Un indice d'air faible indique un faible taux de pollution.

La description de durabilité a été conçue pour vous indiquer le temps de conformité de votre moteur aux normes sur les émissions. Le terme descriptif indique la durée utile du système antipollution de votre moteur.

Terme descriptif	Temps de conformité
Modéré	50 heures (0 - 80 cm ³ incluse) 125 heures (supérieur à 80 cm ³ incluse)
Intermédiaire	125 heures (0 - 80 cm ³) 250 heures (supérieur à 80 cm ³ incluse)
Prolongé	300 heure (0 - 80 cm ³ incluse) 500 heures (supérieur à 80 cm ³) 1000 heures (250 cm ³ et supérieur)

Références rapides

Essence	Type	L'essence sans plomb avec un indice d'octane minimal de 86 (page 8).
Huile moteur	Type	SAE 10W-30, API SJ, pour usage général. Voir page 9. ** Recharge montant: 0,35 ~ 0,40 ℓ
Carburateur	Régime de ralenti	1 400 ± 150 tr/min
Bougie	Type	NGK BPR6ES (application nettoyage à pression) NGK BPR5ES (toute autre application)
Entretien	Avant chaque emploi	Contrôler le niveau d'huile moteur. Voir page 9. Contrôler le filtre à air. Voir page 10.
	Premières 5 heures	Effectuer une vidange d'huile. Voir page 9.
	Par la suite	Voir le calendrier d'entretien à la page 8.

** Le niveau peut varier en fonction de l'huile restant dans le moteur. Utilisez toujours la jauge d'huile pour vérifier le niveau réel de l'huile (page 9).

Caractéristiques de mise au point

ÉLÉMENT	CARACTÉRISTIQUE	ENTRETIEN
Écartement de bougie	0,7 à 0,8 mm	Voir page 10.
Jeu des soupapes (à froid)	ADM : 0,15 ± 0,04 mm ÉCH : 0,20 ± 0,04 mm	Consulter le concessionnaire Honda
Autres caractéristiques	Aucun autre réglage requis.	

Caractéristiques

GCV160

Type	Démarrateur à enrouleur	Démarrateur électrique
Longueur x Largeur x Hauteur	367 x 331 x 360 mm	367 x 354 x 360 mm
Poids à vide	9,8 kg	11,6 kg
Type de moteur	4 temps, arbre à cames en tête, monocylindre	
Cylindrée [alésage x course]	160 cm ³ [64 x 50 mm]	
* Puissance net (conformément à SAE J1349)	3,3 kW, à 3 600 tr/min	
* Couple maximal net (conformément à SAE J1349)	9,4 Nom à 2 500 tr/min	
Capacité huile moteur	Sec moteur: 0,55 ℓ ** Recharge montant: 0,35 ~ 0,40 ℓ	
Capacité du réservoir d'essence	0,91 ℓ	
Consommation d'essence	1,1 ℓ/h à 3 000 tr/min	
Système de refroidissement	Air pulsé	
Système d'allumage	Magnéto transistorisée	
Rotation prise de force	Sens inverse des aiguilles d'une montre	
Système chargeur:	frein-embrayage	12 VDC, 0.15 A min. à 2 900 tr/min
	frein de volant	12 VDC, 0.20 A min. à 2 900 tr/min

GCV190

Type	Démarrateur à enrouleur	Démarrateur électrique
Longueur x Largeur x Hauteur	367 x 331 x 368 mm	367 x 354 x 368 mm
Poids à vide	12,3 kg	13,3 kg
Type de moteur	4 temps, arbre à cames en tête, monocylindre	
Cylindrée [alésage x course]	187 cm ³ [69 x 50 mm]	
* Puissance net (conformément à SAE J1349)	3,8 kW, à 3 600 tr/min	
* Couple maximal net (conformément à SAE J1349)	11,3 Nom à 2 500 tr/min	
Capacité huile moteur	Sec moteur: 0,55 ℓ ** Recharge montant: 0,35 ~ 0,40 ℓ	
Capacité du réservoir d'essence	0,91 ℓ	
Consommation d'essence	1,3 ℓ/h à 3 000 tr/min	
Système de refroidissement	Air pulsé	
Système d'allumage	Magnéto transistorisée	
Rotation prise de force	Sens inverse des aiguilles d'une montre	
Système chargeur:	frein-embrayage	12 VDC, 0.15 A min. à 2 900 tr/min
	frein de volant	12 VDC, 0.20 A min. à 2 900 tr/min

* La puissance nominale du moteur indiquée dans ce document représente la puissance nette testée sur un moteur fabriqué en série pour ce modèle et mesurée à 3600 T/M (puissance net) et 2500 T/M (couple maximal net), en conformité avec les normes SAE J1349. Les valeurs des moteurs fabriqués en série peuvent varier. La puissance du moteur installé dans la machine finale variera en fonction de nombreux facteurs tels la vitesse de fonctionnement du moteur en marche, les conditions environnementales, l'entretien et d'autres variables.

** Le niveau peut varier en fonction de l'huile restant dans le moteur. Utilisez toujours la jauge d'huile pour vérifier le niveau réel de l'huile (page 9).

Branchement de la batterie

Utiliser le matériel suivant pour raccorder une batterie 12 volts au démarreur sur les modèles de type 7 (à bouton de démarrage électrique/carburateur pré-réglé/starter manuel) :

- Batterie - batterie au plomb 12 volts de capacité de charge recommandée de 3 Ah ou batterie NiCd de 14,4 volts de capacité de charge recommandée de 1,7 Ah.
- Câble - câble de calibre 12 minimum d'une longueur maximale de 3 m.
- Fusible - fusible de type plat de 40 ampères.
- Prise - prise et connecteur mâle Delphi série 56 pour le branchement au faisceau de câbles.

Enrober les cosses de la batterie et les raccords du câble de graisse diélectrique. Prendre garde à ne pas brancher la batterie en polarité inversée.

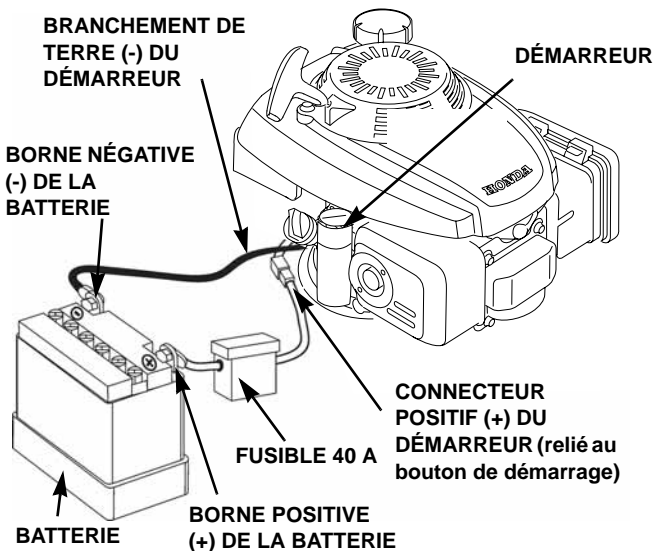
⚠ AVERTISSEMENT

Si la procédure correcte n'est pas respectée, la batterie peut exploser et causer des blessures graves. Garder la batterie à l'écart de toute étincelle, flamme nue et substance fumante.

AVERTISSEMENT : Les bornes de batterie, cosses et accessoires associés contiennent du plomb et des composés de plomb. Se laver les mains après manipulation.

1. Raccorder le câble de batterie positif (+) au moyen du connecteur et de l'isolant adaptés sur le connecteur de démarreur fourni.
2. Raccorder le câble de batterie négatif (-) à un boulon de fixation du moteur, à un boulon du châssis ou au point de terre prévu sur le démarreur (nécessite une vis de 5 x 8 mm).
3. Raccorder le câble de batterie positif (+) à la cosse positive (+) de la batterie comme sur l'illustration.
4. Raccorder le câble de batterie négatif (-) à la cosse négative (-) de la batterie comme sur l'illustration.

Le schéma suivant montre uniquement les branchements pour les modèles de type 7 (à bouton de démarrage électrique/carburateur pré-réglé/starter manuel). Les branchements sont différents pour les autres types de démarreur électrique (types 4 et 6).

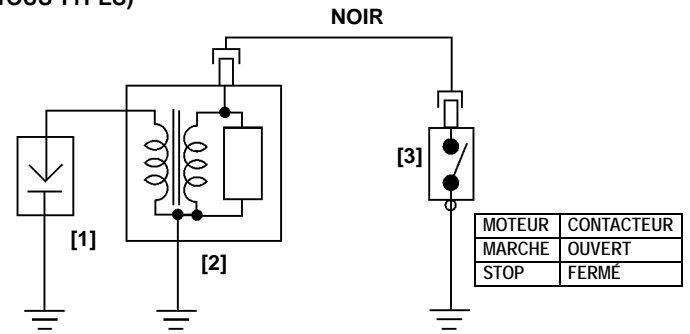


Si le moteur n'est pas équipé d'une bobine de chargement, la batterie se décharge uniquement lors de l'utilisation du démarreur. Il n'y a aucune consommation sur la batterie une fois que le moteur tourne.

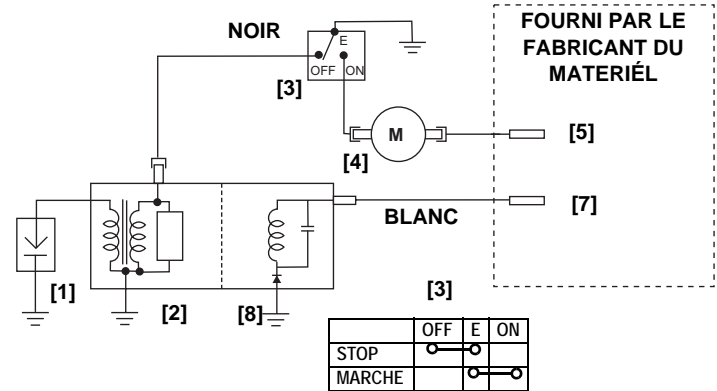
La batterie doit être chargée par un système chargeur externe si le moteur n'est pas équipé d'une bobine de chargement. Se reporter au mode d'emploi du fabricant du matériel ou aux conseils du fabricant de batterie concernant la recharge de la batterie par l'extérieur.

Schéma de câblage

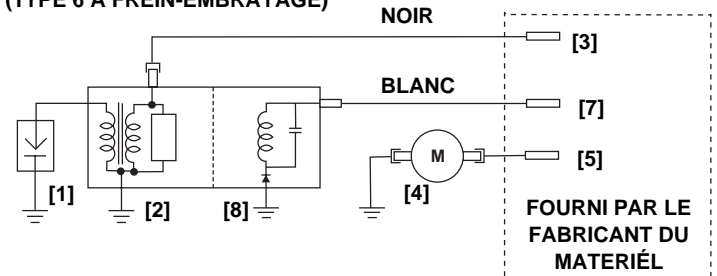
MODÈLES À DÉMARREUR À ENROULEUR (TOUS TYPES)



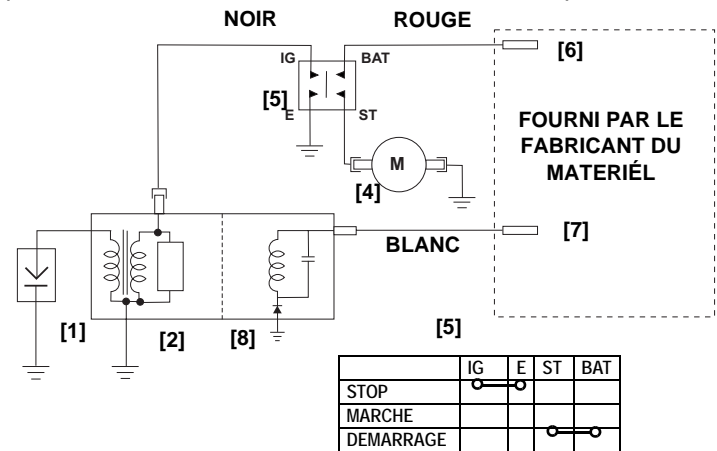
DÉMARREUR ÉLECTRIQUE (TYPE 4 À FREIN DE VOLANT)



DÉMARREUR ÉLECTRIQUE (TYPE 6 À FREIN-EMBRAYAGE)



DÉMARREUR ÉLECTRIQUE (TYPE 7 À BOUTON DE DÉMARRAGE SUR LE MOTEUR)



[1]	BOUGI	[5]	BOUTON DE DÉMARRAGE
[2]	BOBIN D'ALLUMAGE	[6]	FUSIBLE (40 A)
[3]	BOUTON D'ARRÊT DU MOTEUR	[7]	BATTERIE
[4]	DÉMARREUR	[8]	BOBINE DE CHARGEMENT (si installée)

INFORMATION DU CONSOMMATEUR

Informations sur la garantie et le localisateur de distributeurs/concessionnaires

Etats-Unis, Puerto Rico et Iles vierges américaines:
Rendez-vous sur notre site Web: www.honda-engines.com

Canada:
Appelez le (888) 9HONDA9
ou rendez-vous sur notre site Web: www.honda.ca

Publications Honda

Ces publications fournissent des renseignements supplémentaires pour l'entretien et la réparation du moteur. Elles peuvent être commandées auprès du concessionnaire de moteurs Honda.

Manuel de réparation	Ce manuel couvre toutes les procédures d'entretien et de remise à neuf. Il est destiné aux techniciens qualifiés.
Catalogue de pièces	Ce manuel fournit une nomenclature des pièces complète et illustrée.

Informations d'entretien pour le client

Le personnel des concessions de moteur Honda possède une formation professionnelle. Il devrait être en mesure de répondre à toutes vos questions.

Si vous êtes aux prises avec un problème que votre concessionnaire ne peut résoudre, parlez-en à la direction de la concession. Le directeur du service après-vente et le directeur général sont en mesure de vous aider. La plupart des problèmes se règlent ainsi simplement.

Toutefois, si vous n'êtes pas satisfait de la décision prise par la direction de la concession, communiquez avec le service à la clientèle de Honda Canada. Vous pouvez nous joindre par téléphone ou par télécopieur.

<Bureau Honda>

Lorsque vous écrivez ou appelez, veuillez fournir les informations suivantes:

- Nom du fabricant et numéro de modèle de l'équipement sur lequel est monté le moteur
- Modèle, numéro de série et type du moteur (page 13)
- Nom du concessionnaire vous ayant vendu le moteur
- Nom, adresse et personne à contacter du concessionnaire assurant le service après-vente de votre moteur
- Date d'achat
- Vos nom, adresse et numéro de téléphone
- Description détaillée du problème

Honda Canada, Inc.

Veuillez visiter : www.honda.ca pour l'information de contact

Téléphone: (888) 9HONDA9 Sans frais
(888) 946-6329
Télécopieur: (877) 939-0909 Sans frais

GARANTIE DU DISTRIBUTEUR

Honda Canada Inc., pour et au nom de Honda Motor Co. Ltd., Tokyo, Japon, offre la garantie suivante sur chaque moteur à toutes fins neuf fabriqué par Honda Motor Co. Ltd., Japon, distribué au Canada par Honda Canada Inc., et vendu en tant que pièce d'origine d'un équipement lorsqu'un tel équipement est fabriqué au Canada. Aux fins des présentes, "Honda" signifie Honda Canada Inc. etc/ou Honda Motor Co. Ltd., selon le contexte.

Honda garantit que chaque moteur à toutes fins neuf Honda est exempt de défaut de fabrication et de vice de main-d'oeuvre dans des conditions normales d'utilisation et d'entretien, pendant la période garantie pertinente énoncée ci-dessous. Si un moteur à toutes fins Honda s'avère défectueux avant l'échéance de la période de garantie, Honda réparera ou remplacera les pièces nécessaires par des pièces Honda neuves ou leur équivalent, sans frais de la part du consommateur, pièces et main-d'oeuvre comprises (à l'exception des frais de main-d'oeuvre relatives à un accessoire), sous réserve que de telles déficiences soient attribuées par Honda à des défauts de fabrication ou à des vices de main-d'oeuvre.

PÉRIODE DE GARANTIE

La couverture de la garantie entre en vigueur à la date de vente originale ou lorsque l'unité est mise en service en tant que modèle de démonstration.

MODÈLE	UTILISATION NON-COMMERCIALE	UTILISATION COMMERCIALE	LOCATION	CONCESSION
GCV Moteur	24 mois	3 mois	3 mois	AUCUNE

NOTA : Utilisation par une concession se rapporte à go kart, etc.

CETTE GARANTIE S'APPLIQUE:

- à tout moteur à toutes fins Honda acheté au Canada d'un concessionnaire ou d'un distributeur autorisé de moteurs à toutes fins Honda ;
- à toute pièce installée à l'usine (à l'exception des pièces sujettes à un entretien régulier dont il est mentionné dans la section intitulée "CETTE GARANTIE NE S'APPLIQUE PAS", et ;
- à tout moteur à toutes fins sur lequel les services d'entretien périodiques ont été effectués, tel que prescrit dans le Manuel du propriétaire.

CETTE GARANTIE NE S'APPLIQUE PAS:

- aux réparations requises suite aux collisions, blessures, chocs de tout objet, course, usage abusif ou manque d'entretien ;
- aux réparations rendues nécessaires parce que l'installation ou la réparation des dispositifs, pièces ou accessoires ont été effectuées par une personne autre que le fabricant de l'équipement d'origine ou qu'un concessionnaire autorisé de produits mécaniques Honda ;
- à un moteur à toutes fins qui a été modifié, altéré, démonté ou transformé ;
- aux services d'entretien réguliers, y compris le serrage des boulons, écrous et raccords, la mise au point du moteur et le remplacement de pièces requises dans le cadre de l'entretien normal telles que filtres, bougies et fils, fusibles, courroies, lubrifiant et toutes les pièces sujettes à l'usure normale.

OBLIGATION DU PROPRIÉTAIRE

Afin de maintenir la validité de cette GARANTIE DU DISTRIBUTEUR, les services d'entretien requis tels qu'énoncés dans le Manuel du propriétaire doivent être effectués aux intervalles appropriés et les reçus détaillés et registres doivent être gardés en dossiers.

COMMENT BÉNÉFICIER DE CETTE GARANTIE

Vous devez apporter votre moteur à toutes fins Honda, à vos frais, pendant les heures normales de travail, chez le concessionnaire autorisé de produits mécaniques Honda où vous avez acheté ce produit ou chez le concessionnaire précisé par le fabricant de l'équipement propulsé par le moteur Honda. Si vous ne pouvez pas obtenir le service prescrit par la garantie ou en êtes insatisfait, prenez les mesures suivantes : communiquez d'abord avec le propriétaire de la concession concernée ; cela devrait suffire pour résoudre le problème. Si, toutefois, vous désirez de l'aide additionnelle, veuillez écrire au bureau Honda Canada Inc., à l'attention du Service des relations avec la clientèle aux adresses, *Information de service pour le client*.

GARANTIE DES PIÈCES DE RECHANGE

Les pièces de rechange neuves d'origine Honda, vendues à un consommateur et installées par un concessionnaire autorisé de produits mécaniques Honda, non couvertes aux termes de la GARANTIE DU DISTRIBUTEUR sont garantis pour une période d'un (1) an à compter de la date d'achat dans le cas de l'utilisation normale ou de trois (3) mois dans le cas de l'utilisation commerciale/ la location ou dans une concession, sous réserve que cette garantie de pièces de rechange ne s'applique pas aux pièces de rechange modifiées, utilisées ou installées sur un produit mécanique pour lequel lesdites pièces de rechange n'étaient pas conçues. Les composants électriques qui ne sont pas installés par le concessionnaire (vendues au comptoir) ne sont pas couvertes par une garantie.

EXCLUSION DE TOUTE AUTRE GARANTIE

La GARANTIE DU DISTRIBUTEUR est la seule et unique garantie écrite offerte par Honda sur les moteurs à toutes fins Honda. Aucun concessionnaire, agent ou employé n'est autorisé à prolonger ou augmenter cette garantie au nom de Honda par toute déclaration écrite ou verbale ou toute publicité.

DÉNÉGATION DE RESPONSABILITÉ

Dans la mesure autorisée par la loi, Honda se dégage de toute responsabilité découlant des pertes de temps ou d'utilisation du moteur à toutes fins, des coûts de transport ou de remorquage ou de tout autre dommage imprévu, direct ou consécutif, d'inconvénient ou de perte de revenus.

AVIS AU CONSOMMATEUR

Les stipulations contenues dans ces garanties écrites n'ont pas pour objet de limiter, modifier, annuler, nier ou exclure toute garantie énoncée dans "The Consumer Products Warranties Act, 1977" (Saskatchewan), "The Consumer Product Warranty and Liability Act" (Nouveau-Brunswick) et la "Loi sur la protection du consommateur" (Québec) ou toute autre loi provinciale ou fédérale similaire.

GARANTIE DU SYSTÈME ANTIPOLLUTION

Votre nouveau moteur pour Produit Mécanique Honda est conforme aux réglementations sur les émissions de l'U.S. EPA, d'Environnement Canada et de l'État de Californie (modèles homologués pour la vente en Californie). American Honda Motor Co., Inc. fournit la garantie sur les émissions pour les moteurs aux États-Unis et dans ses territoires. Honda Canada Inc. fournit la garantie sur les émissions pour les moteurs dans les 13 provinces et territoires du Canada. Dans la suite de cette Garantie du système antipollution, American Honda Motor Company Inc. et Honda Canada Inc. sont appelés Honda.

Vos droits et obligations aux termes de la garantie:

Californie

Le California Air Resources Board et Honda sont heureux de vous expliquer la garantie du système antipollution qui équipe votre moteur pour Produit Mécanique Honda. En Californie, les nouveaux moteurs à allumage par étincelle pour petits appareils non routiers doivent être conçus, fabriqués et équipés pour satisfaire les strictes normes antipollution de l'état.

Autres états, territoires américains et Canada

Dans les autres régions des États-Unis et au Canada, votre moteur doit être conçu, fabriqué et équipé pour satisfaire les normes d'émissions de l'U.S. EPA et d'Environnement Canada pour les moteurs à allumage par étincelle de 19 kilowatts ou moins.

Ensemble des États-Unis et Canada

Honda doit garantir le système antipollution de votre moteur pour produit mécanique pendant la durée indiquée ci-dessous, à condition que le moteur n'ait fait l'objet d'une forme d'emploi abusif, négligence ou défaut d'entretien. En cas de panne remplissant les conditions de la garantie, Honda s'engage à réparer votre moteur sans frais à votre charge, notamment pour le diagnostic, les pièces et la main-d'œuvre.

Votre système antipollution peut comprendre des organes tels que le carburateur ou le système d'injection de carburant, le système d'allumage et le convertisseur catalytique. Les tuyaux, raccords et autres éléments en rapport avec les émissions peuvent également être inclus.

Garantie du fabricant:

Les moteurs pour produit mécanique de 1995 et ultérieurs sont garantis pendant deux ans. Toute pièce en rapport avec les émissions jugée défectueuse sera réparée ou remplacée par Honda.

Responsabilité du propriétaire aux termes de la garantie:

En tant que propriétaire du moteur pour produit mécanique, vous avez la charge des opérations d'entretien indiquées dans votre manuel de l'utilisateur. Honda vous conseille de conserver tous les reçus concernant l'entretien de votre moteur pour produit mécanique, toutefois Honda ne peut pas refuser le recours à la garantie uniquement en raison de l'absence de reçus ou si vous avez manqué à assurer la totalité de l'entretien prévu.

En tant que propriétaire du moteur pour produit mécanique, vous devez cependant savoir que Honda peut vous refuser le recours à la garantie si votre moteur pour produit mécanique ou l'une de ses pièces a fait l'objet d'emploi abusif, de négligence, de défaut d'entretien ou de modifications non autorisées.

Il relève de votre responsabilité de présenter votre moteur pour produit mécanique à un concessionnaire de Produits Mécaniques Honda dès qu'un problème se présente. Les réparations couvertes par la garantie devraient être effectuées dans un délai raisonnable ne dépassant pas 30 jours.

Pour toute question concernant vos droits et responsabilités aux termes de la garantie, veuillez communiquer avec le Bureau Honda de votre région.

American Honda Motor Co., Inc.
Power Equipment Customer
Relations
4900 Marconi Drive
Alpharetta, Georgia 30005-8847
Téléphone: (770) 497-6400

Honda Canada Inc.
ou
Veuillez visiter www.honda.ca
pour l'information de contact
Téléphone: (888) 946-6329

Couverture de la garantie:

Les moteurs pour produit mécanique Honda fabriqués après le 1er janvier 1995 et vendus dans l'État de Californie, les moteurs homologués par l'U.S. EPA fabriqués à partir du 1er septembre 1996 et vendus dans l'ensemble des États-Unis et les moteurs homologués au Canada fabriqués à partir du 1er janvier 2005 sont couverts par cette garantie pour une durée de deux ans à compter de la date de livraison à l'acheteur au détail initial. Cette garantie peut être cédée à chaque acheteur ultérieur pendant toute la durée de la garantie.

Les réparations couvertes par la garantie seront effectuées sans frais de diagnostic, de pièces ou de main-d'œuvre. Toutes les pièces défectueuses remplacées dans le cadre de la garantie deviennent la propriété de Honda. Les pièces couvertes par la garantie sont détaillées sous Pièces couvertes par la garantie du système de antipollution ci-joint après. Les pièces relevant de l'entretien courant, notamment bougies et filtres, figurant sur la liste des pièces garanties ne sont couvertes par la garantie que jusqu'à leur délai de remplacement prévu.

Honda est également responsable des dommages causés à d'autres organes du moteur par la défaillance de toute pièce couverte par la garantie pendant la durée de la garantie.

Les réparations couvertes par la garantie doivent utiliser exclusivement des pièces de rechange agréées par Honda, qui doivent être fournies sans frais pour le propriétaire. L'emploi de pièces de rechange non équivalentes aux pièces d'origine peut affecter l'efficacité du système antipollution de votre moteur. Si une telle pièce de rechange est utilisée pour la réparation ou l'entretien de votre moteur et qu'elle est jugée défectueuse par un revendeur Honda agréé ou qu'elle provoque la défaillance d'une pièce couverte par la garantie, le recours à la garantie pour la réparation du moteur peut vous être refusé. Si la pièce en question est sans rapport avec la raison pour laquelle le moteur doit être réparé, alors le recours à la garantie ne peut vous être refusé.

Pour recourir à la garantie:

Vous devez amener votre moteur Honda ou le produit sur lequel il est installé, ainsi que votre carte d'enregistrement d'achat ou tout autre justificatif de la date d'achat initiale, à vos propres frais, à tout revendeur de Produit Mécanique Honda autorisé par Honda à vendre et à réparer ce produit Honda durant ses heures normales d'ouverture. Les demandes de réparation ou de réglage jugées nécessaires uniquement en raison de défauts de matériel ou de main-d'œuvre ne pourront pas être refusées au motif que le moteur n'a pas été correctement entretenu ou utilisé.

Si vous ne parvenez pas à obtenir de service dans le cadre de la garantie ou n'êtes pas satisfait du service obtenu, veuillez communiquer avec le propriétaire de la concession concernée. Ceci devrait normalement résoudre votre problème. Toutefois, si une assistance supplémentaire est nécessaire, veuillez écrire à ou appeler Honda Power Equipment Customer Relations Department dans votre région.

Exclusions:

Les pannes autres que celles résultant de défauts de matériel ou de main-d'œuvre ne sont pas couvertes par la présente garantie. Cette garantie ne couvre pas les pièces ou systèmes antipollution qui ont été altérés ou endommagés en raison d'emploi abusif, négligence, défaut d'entretien, abus, emploi d'un mauvais carburant, entreposage incorrect, accident et/ou collision, incorporation ou utilisation de pièces supplémentaires ou modifiées, accessoires inadaptés ou modification non autorisée d'une quelconque pièce par le propriétaire.

Cette garantie ne couvre pas le remplacement d'articles consommables effectué dans le cadre des opérations d'entretien normalement prévues au-delà du premier délai de remplacement de l'article indiqué dans la section entretien du manuel de l'utilisateur du produit, notamment : bougies et filtres.

Clause de non responsabilité pour les dommages consécutifs et limite des garanties implicites:

American Honda Motor Co., Inc. et Honda Canada Inc. déclinent toute responsabilité pour les dommages indirects ou consécutifs, notamment perte de temps ou d'emploi d'un produit mécanique ou tout préjudice commercial causé par la panne de l'appareil, et toutes les garanties implicites sont limitées à la durée de cette garantie écrite. Cette garantie ne s'applique qu'aux endroits où les réglementations sur la garantie des systèmes de antipollution de l'état de Californie, de l'U.S. EPA ou d'Environnement Canada sont en vigueur.

Pièces couvertes par la garantie du système antipollution :

SYSTÈMES COUVERTS PAR CETTE GARANTIE:	DESCRIPTION DES PIÈCES:
Alimentation en carburant	Carburateur, (inclut le système d'enrichissement au démarrage), capteur de température du moteur, module de contrôle du moteur, régulateur de carburant, tubulure d'admission
Recyclage des vapeurs de carburant	Réservoir d'essence, bouchon d'essence, tuyaux souples de carburant, tuyaux souples pour vapeurs d'essence, absorbeur de vapeurs d'essence, supports de montage de l'absorbeur, filtre à essence, robinet d'essence, pompe à essence, joint de tuyau souple de carburant, joint de tuyau de purge de l'absorbeur
Échappement	Pot catalytique, collecteur d'échappement
Admission d'air	Boîtier du filtre à air, élément filtrant *
Allumage	Magnéto à volant d'inertie, capteur de position du vilebrequin, bobine d'alimentation, générateur d'impulsions d'allumage, bobine d'allumage, module de commande d'allumage, capuchon de bougie, bougie *
Le Contrôle d'Emission de carter	Tube du reniflard de carter, bouchon de réservoir
Pièces diverses	Tubes, raccords, joints, garnitures et colliers de serrage associés aux systèmes indiqués.

Remarque: Cette liste s'applique aux pièces fournies par Honda et ne couvre pas les pièces fournies par l'équipementier. Veuillez consulter la garantie de l'équipementier sur les émissions pour les pièces non fabriquées par Honda.

* Couverts seulement jusqu'au premier délai de remplacement. Voir le **CALENDRIER D'ENTRETIEN** (page 8).

INTRODUCCIÓN

Gracias por comprar un motor Honda. Queremos ayudarlo a que obtenga los mejores resultados del nuevo motor, y a que lo opere con seguridad. Este manual contiene información acerca de cómo hacerlo. Léalo con atención antes de operar el motor. Si se le presenta un problema, o si tiene cualquier pregunta acerca del motor, consulte al servicio técnico de su concesionario Honda autorizado.

Toda la información de esta publicación está basada en la información más reciente sobre el producto disponible en el momento de la impresión. Honda Motor Co., Inc. se reserva el derecho a realizar cambios en cualquier momento, sin aviso previo y sin incurrir en ninguna obligación. Está prohibido reproducir cualquiera de las secciones de esta publicación sin contar con un permiso por escrito.

Este manual debe considerarse una pieza permanente del motor y debe permanecer con éste cuando se vuelva a vender.

Revise las instrucciones que vienen con el equipo propulsado por este motor para obtener cualquier información adicional acerca del arranque, apagado, operación, ajuste o cualquier otra instrucción especial de mantenimiento.

MENSAJES DE SEGURIDAD

Es muy importante garantizar su seguridad y la de los demás. Hemos proporcionado importantes mensajes de seguridad en este manual y en el motor mismo. Léalos con atención.

Los mensajes de seguridad lo alertan de peligros potenciales que puedan herirlo a usted o a los demás. Todos los mensajes de seguridad están precedidos de un símbolo de alerta de seguridad ⚠ y de una de las tres palabras indicadoras, PELIGRO, ADVERTENCIA o PRECAUCIÓN.

Estas palabras indicadoras significan lo siguiente:

⚠ PELIGRO

Indica que SIN DUDA MORIRÁ o sufrirá LESIONES GRAVES si no cumple con las instrucciones.

⚠ ADVERTENCIA

Indica que EXISTE UNA GRAN POSIBILIDAD de que MUERA o de que sufra LESIONES GRAVES si no cumple con las instrucciones.

⚠ PRECAUCIÓN

PUEDE LESIONARSE si no cumple con las instrucciones.

Cada mensaje le dice de lo que se trata el peligro, lo que puede pasar, y lo que usted puede hacer para evitar la lesión o reducirla.

MENSAJES DE PREVENCIÓN DE DAÑOS

También verá otros mensajes importantes, precedidos de la palabra AVISO.

Esta palabra significa:

AVISO

El motor u otra propiedad puede resultar dañada si no siguen las instrucciones.

El propósito de dichos mensajes es ayudarlo a prevenir los daños a su motor, a otros bienes o al medio ambiente.

HONDA

MANUAL DEL PROPIETARIO

GCV160 • GCV190



⚠ ADVERTENCIA: ⚠

Los gases de escape de este producto contienen agentes químicos que, según el Estado de California, causan cáncer, defectos de nacimiento u otros efectos perjudiciales reproductivos.

ESPAÑOL

CONTENIDOS

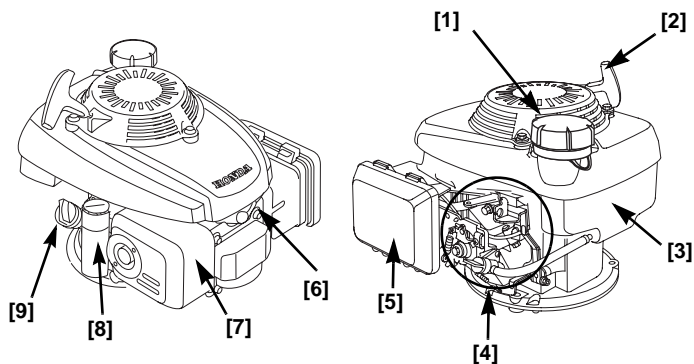
INTRODUCCIÓN	1
MENSAJES DE SEGURIDAD	1
IDENTIFICACIÓN: COMPONENTES Y CONTOLES	2
IDENTIFICACIÓN: COMPONENTES Y CONTOLES	2
OPERACIÓN	3
Precauciones de manejo seguro	3
Operación del tipo 1	3
Operación del tipo 2	4
Operación del tipo 3	5
Operación del tipo 4	5
Operación del tipo 5	5
Operación del tipo 6	6
Operación del tipo 7	6
Operación del tipo 8	7
Operación del tipo 9	7
Operación del tipo 10	7
SERVICIO DEL MOTOR	8
Programa de mantenimiento	8
Reabastecimiento	8
Aceite de motor	9
Filtro de aire	10
Bujía	10
Inspección del freno del volante	11
Supresor de chispas (equipo opcional)	11
ALMACENAJE DEL MOTOR	12
TRANSPORTE	13
OCUPARSE DE PROBLEMAS INESPERADOS	13
INFORMACIÓN TÉCNICA	13
INFORMACIÓN DEL CONSUMIDOR	16
Garantía Internacional	última página

INFORMACIÓN DE SEGURIDAD

- Comprenda el funcionamiento de todos los controles y aprenda a parar el motor rápidamente en caso de emergencia. Asegúrese de que el operador reciba las instrucciones adecuadas antes de operar el equipo.
- No permita que los niños operen el motor. Mantenga a los niños y animales apartados del lugar de operación.
- El escape del motor contiene el peligroso monóxido de carbono. No ponga en marcha el motor sin una adecuada ventilación, y nunca lo haga en interiores.
- El motor y el escape se calientan considerablemente durante su funcionamiento. Mantenga el motor por lo menos a 1 metro de las construcciones y de otros equipos durante la operación. Mantenga lejos los materiales inflamables, y no ponga nada encima del motor mientras está en marcha.

IDENTIFICACIÓN: COMPONENTES Y CONTROLES

UBICACIÓN DE LOS COMPONENTES

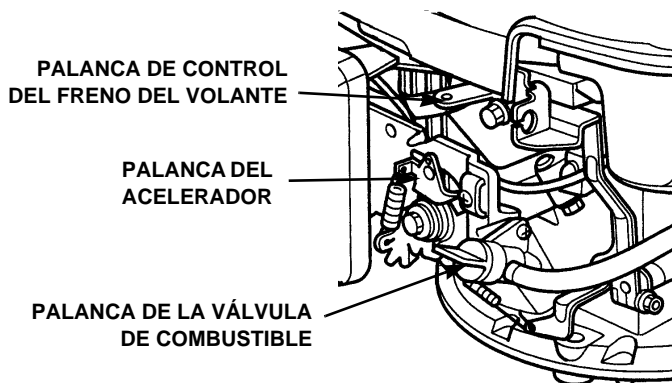


1	Tapa del tanque de combustible
2	Empuñadura del arrancador
3	Tanque de combustible
4	Área de control del motor *
5	Filtro de aire
6	Bujía
7	Silenciador
8	Motor de arranque
9	Tapa/varilla medidora del nivel de aceite

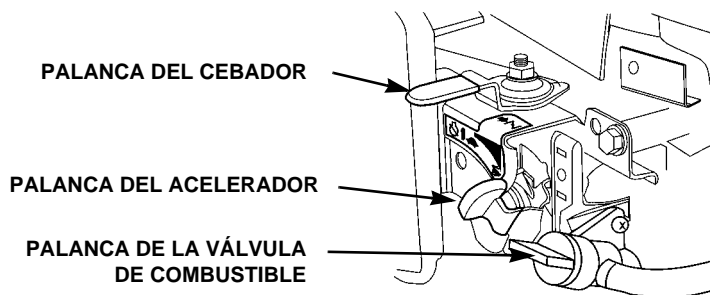
* El área de control del motor varía según el tipo de motor. Consulte las figuras a continuación para determinar el tipo de control del motor cuando lea la sección *Operación* y otras secciones en este manual.

UBICACIÓN DE LOS CONTROLES

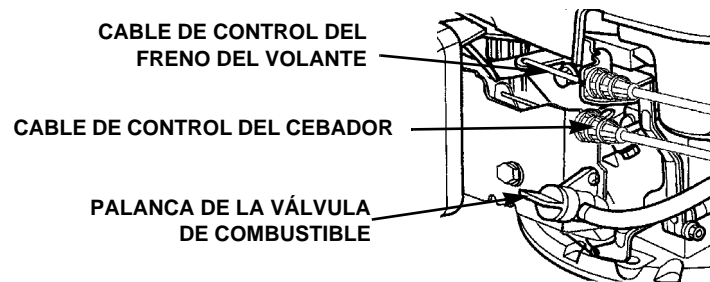
TYPE 1: FRENO DEL VOLANTE/ACELERACIÓN REMOTA



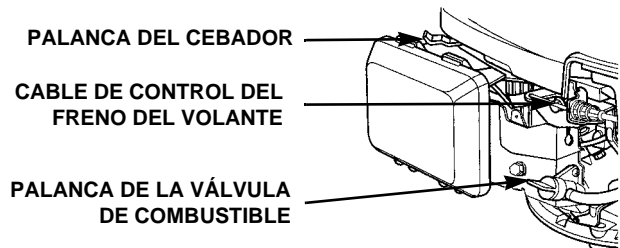
TYPE 2: CEBADOR MANUAL/ACELERACIÓN MANUAL



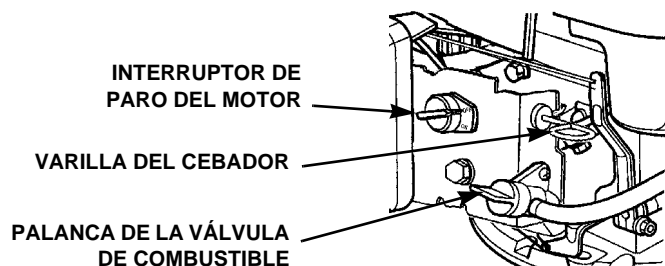
TYPE 3: FRENO DEL VOLANTE/REMOTO CEBADOR/ ACELERACIÓN FIJA



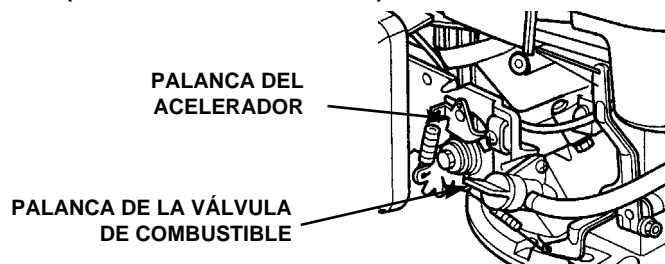
TYPE 4: RETORNO AUTOMÁTICO DEL CEBADOR/ ACELERACIÓN FIJA



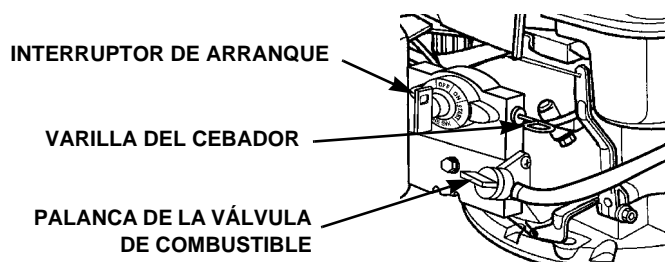
TYPE 5: CEBADOR MANUAL/ACELERACIÓN FIJA



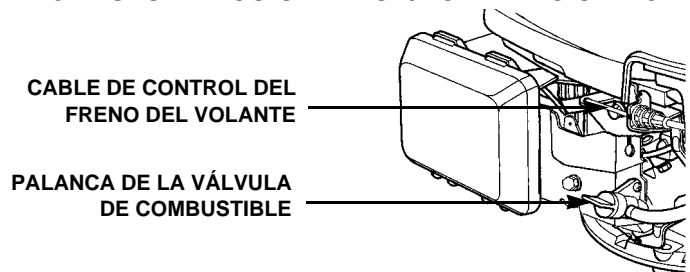
TYPE 6: ACCELERACIÓN REMOTA/FRENO DE CUCHILLAS (CONTROL DEL EQUIPO)



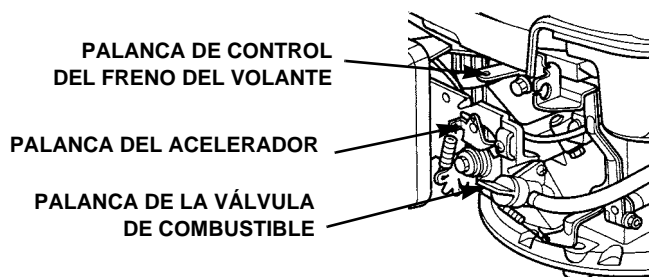
TYPE 7: ARRANQUE ELÉCTRICO CON INTERRUPTOR DE ARRANQUE/CEBADOR MANUAL/ACCELERACIÓN PREAJUSTADA



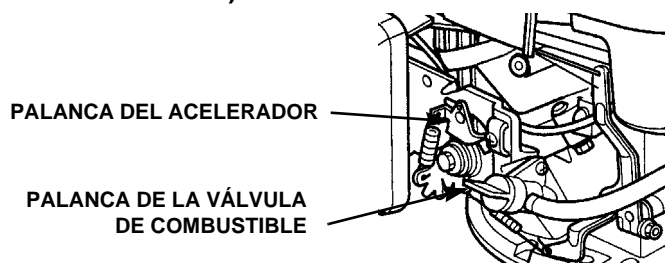
TYPE 8: AUTOMÁTICO CEBADOR/ACCELERACIÓN FIJA



TYPE 9: AUTOMÁTICO CEBADOR/ACCELERACIÓN REMOTA/FRENO DEL VOLANTE



TYPE 10: AUTOMÁTICO CEBADOR/ACCELERACIÓN REMOTA/FRENO DE CUCHILLAS (CONTROL DEL EQUIPO)



COMPROBACIONES ANTES DE LA OPERACIÓN

¿EL MOTOR ESTÁ LISTO PARA PARTIR?

Para su seguridad, y para maximizar la vida útil del equipo, es muy importante tomarse unos minutos antes de operar el motor para comprobar su condición. Asegúrese de ocuparse de cualquier problema que encuentre, o haga que el servicio técnico de su concesionario lo corrija, antes de operar el motor.

⚠ ADVERTENCIA

El mantenimiento inadecuado de este motor, o no corregir un problema antes de operarlo, puede causar una falla por la cual usted puede resultar gravemente herido o morir. Siempre realice una inspección previa a cada operación y corrija cualquier problema.

Antes de comenzar sus comprobaciones previas a la operación, asegúrese de que el motor esté nivelado, y de que la palanca de freno del volante (*tipo 2*: palanca del acelerador, *tipo 4*: interruptor de paro del motor) está en la posición de PARADA o APAGADO (OFF).

Siempre compruebe los siguientes puntos antes de arrancar el motor:

1. Nivel de combustible (consulte la página 8).
2. Nivel de aceite (consulte la página 10).
3. Filtro de aire (consulte la página 10).
4. Inspección general: Compruebe si hay pérdidas de combustible o piezas dañadas.
5. Compruebe el estado del equipo propulsado por este motor.

Revise las instrucciones que vienen con el equipo propulsado por este motor por si hay cualquier precaución o procedimientos que se deban seguir antes de arrancar el motor.

OPERACIÓN

PRECAUCIONES DE MANEJO SEGURO

Antes de arrancar el motor por primera vez, revise la sección *INFORMACIÓN DE SEGURIDAD* en la página 2 y las *COMPROBACIONES ANTES DE LA OPERACIÓN* arriba.

Por su seguridad, no utilice el motor en áreas cerradas, por ejemplo, en las cocheras. Los gases emitidos por el escape del motor contienen monóxido de carbono venenoso que puede acumularse rápidamente en las áreas cerradas y producir malestares o incluso la muerte.

⚠ ADVERTENCIA

El gas de monóxido de carbono es tóxico. Respirarlo puede causar inconsciencia y hasta la muerte. Evite toda área o acción que lo exponga al monóxido de carbono.

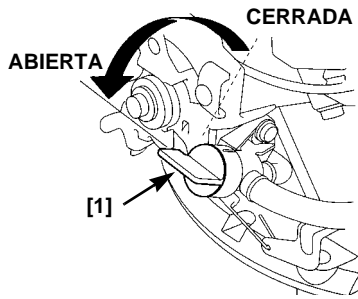
Revise las instrucciones que vienen con el equipo propulsado por este motor por si se debe tomar cualquier precaución de seguridad respecto del arranque, el apagado y la operación del motor.

No haga funcionar el motor en pendientes mayores que 20°.

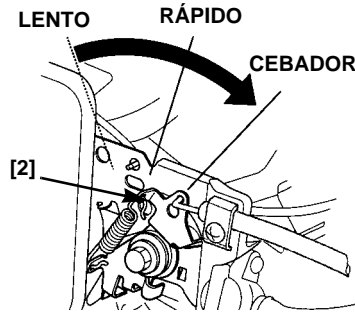
TIPO 1: FRENO DEL VOLANTE/ACELERACIÓN REMOTA

Arranque de un motor

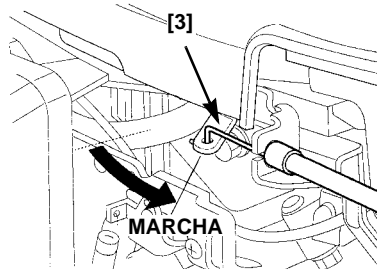
1. Gire la válvula de combustible [1] a la posición ABIERTA.



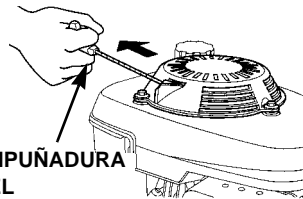
2. Consulte el manual del equipo y coloque el control del acelerador [2] de manera que la palanca del cebador/acelerador se mueva a la posición CEBADOR (motor frío).



3. Consulte el manual del equipo y coloque el control del freno del volante [3] de manera que la palanca del freno del volante quede en la posición MARCHA.



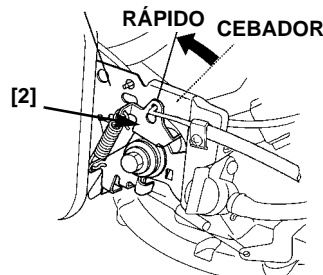
4. Tire suavemente de la empuñadura del arrancador hasta que sienta resistencia. Entonces tire con fuerza.



AVISO

No permita que la empuñadura del arrancador se vuelva a enrollar de golpe en el motor. Regréselo suavemente para evitar daños en el motor de arranque.

5. Si se utilizó el cebador para encender el motor, mueva la palanca del cebador/acelerador [2] a la posición RÁPIDO (o alto) apenas el motor se haya calentado lo suficiente como para funcionar sin usar el cebador.

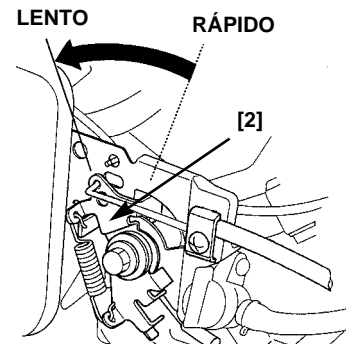


Ajuste de la aceleración

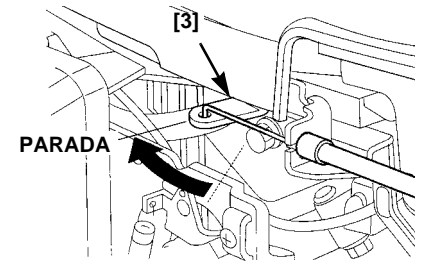
Coloque el control del acelerador en la velocidad deseada del motor. Para un mejor rendimiento del motor, se recomienda operar el motor con el acelerador en la posición RÁPIDO (o alto).

Parar el motor

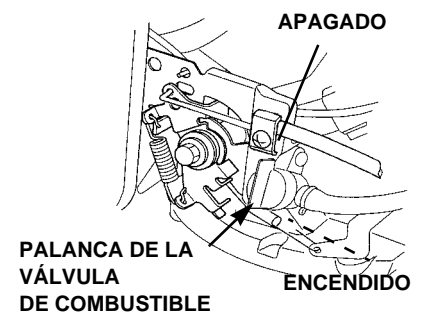
1. Mueva el control del cebador/acelerador [2] a la posición LENTO.



2. Suelte la palanca de freno del volante [3] para parar el motor.



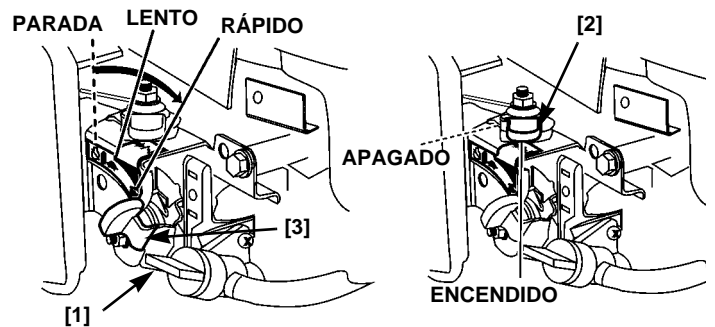
3. Gire la válvula de combustible a la posición CERRADA.



TIPO 2: CONTROL MANUAL/ACELERACIÓN MANUAL

Arranque de un motor

1. Gire la válvula de combustible [1] a la posición ABIERTA.
2. Mueva la palanca del cebador [2] a la posición ENCENDIDO (motor frío).
3. Mueva la palanca del acelerador [3] a la posición RÁPIDO.



4. Tire suavemente la empuñadura del arrancador hasta que sienta resistencia. Entonces tire con fuerza (consulte el paso 1 del TIPO 1 en la página 4).
5. Si se utilizó el cebador para encender el motor, mueva la palanca del cebador a la posición APAGADO apenas el motor se haya calentado lo suficiente como para funcionar sin problemas, sin usar el cebador.
6. Coloque la palanca acelerador en la velocidad deseada del motor. Para un mejor rendimiento del motor, se recomienda operar el motor con el acelerador en la posición RÁPIDO (o alto).

Parar el motor

1. Mueva la palanca del acelerador a la posición LENTO.
2. Mueva la palanca del acelerador a la posición de PARADA y deje que el motor quede en ralentí por algunos segundos.
3. Gire la válvula de combustible a la posición CERRADA.

TIPO 3: FRENO DEL VOLANTE/REMOTO CEBADOR/ ACELERACIÓN FIJA

Arranque de un motor

1. Gire la válvula de combustible [1] a la posición ABIERTA.
2. Mueva el cable de control del cebador [2] (consulte el manual del equipo) de manera que el brazo del cebador [3] se mueva a la posición ENCENDIDA del cebador (motor frío).
3. Mueva la palanca del freno del volante [4] a la posición MARCHA.
4. Tire suavemente de la empuñadura del arrancador hasta que sienta resistencia. Entonces tire con fuerza (consulte el paso 4 del TIPO 1 en la página 4).
5. Si se utilizó el cebador para encender el motor, mueva el cable de control del cebador de manera que el brazo del cebador se mueva a la posición APAGADO apenas el motor se haya calentado lo suficiente como para funcionar sin problemas, sin usar el cebador.

La velocidad está preajustada en este motor.

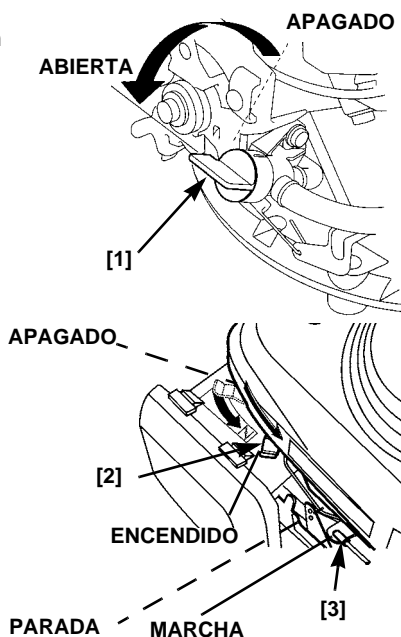
Parar el motor

1. Suelte la palanca de freno del volante para parar el motor.
2. Gire la válvula de combustible a la posición CERRADA.

TIPO 4: RETORNO AUTOMÁTICO DEL CEBADOR/ ACELERACIÓN FIJA

Arranque de un motor

1. Gire la válvula de combustible [1] a la posición ABIERTA.
2. Mueva la palanca del cebador [2] a la posición cebador (N) (motor frío).
3. Mueva la palanca del freno del volante [3] a la posición MARCHA (RUN). La palanca del cebador comienza a moverse automáticamente a la posición CERRADO (OFF) cuando la palanca de freno del volante se mueve a la posición MARCHA.



4. Arranque el motor.

Tipos con arrancador manual

Tire suavemente de la empuñadura del arrancador hasta que sienta resistencia. Entonces tire con fuerza (consulte el paso 4 del Tipo 1 en la página 4). Comience a tirar del arrancador manual apenas mueva la palanca de freno del volante a la posición MARCHA y el cebador se comience a mover a la posición CERRADO.

Si el motor no arranca antes de que el cebador se mueva a la posición CERRADO, repita los pasos 2 y 3, luego continúe el arranque.

Tipos con arrancador eléctrico

Gire el interruptor de arranque (ubicado en el equipo) a la posición ARRANQUE (START) y manténgalo allí hasta que el motor arranque. Cuando lo haga, permita que el interruptor del motor regrese a su posición normal.

AVISO

No use el arrancador por más de 5 segundos o se puede producir un daño en el motor de arranque. Si el motor no arranca, suelte el interruptor y espere 10 segundos antes de volver a operar el arrancador.

Si el motor no arranca antes de que el cebador se mueva a la posición CERRADO, repita los pasos 2 y 3, luego continúe el arranque.

La aceleración está preajustada en este tipo.

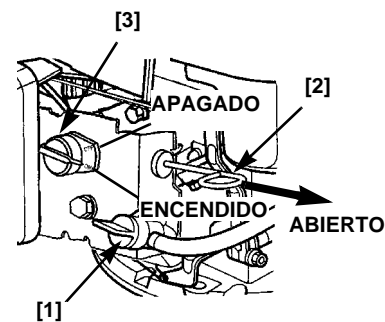
Parar el motor

1. Suelte la palanca de freno del volante para activarlo y parar el motor.
2. Gire la válvula de combustible a la posición CERRADA.

TIPO 5: CEBADOR MANUAL/ACELERACIÓN FIJA

Arranque de un motor

1. Gire la válvula de combustible [1] a la posición ABIERTA.
2. Mueva la varilla del cebador [2] a la posición ABIERTO (motor frío).
3. Gire el interruptor de paro del motor [3] a la posición de ENCENDIDO (ON).
4. Tire suavemente de la empuñadura del arrancador hasta que sienta resistencia. Entonces tire con fuerza (consulte el paso 4 del TIPO 1 en la página 4).
5. Si se utilizó el cebador para encender el motor, mueva la varilla del cebador a la posición CERRADO apenas el motor se haya calentado lo suficiente como para funcionar sin problemas, sin usar el cebador.



La aceleración está preajustada en este motor.

Parar el motor

1. Gire el interruptor de motor a la posición de APAGADO (OFF).
2. Gire la válvula de combustible a la posición CERRADA.

TIPO 6: ACELERACIÓN REMOTA/FRENO DE CUCHILLAS

Arranque de un motor

1. Gire la válvula de combustible [1] a la posición ABIERTA.
2. Mueva la palanca del cebador/acelerador/parada [2] a la posición CEBADOR (motor frío) o RÁPIDO (motor caliente).

Asegúrese de que la palanca de control de cuchillas esté desenganchada (consulte el manual del equipo).

3. Arranque el motor.

Tipos con arrancador manual

Tire suavemente de la empuñadura del arrancador hasta que sienta resistencia. Entonces tire con fuerza (consulte el paso 4 del TIPO 1 en la página 4).

Tipos con arrancador eléctrico

Gire el interruptor de arranque (ubicado en el equipo) a la posición ARRANQUE y manténgalo allí hasta que el motor arranque. Cuando lo haga, deje que el interruptor del motor regrese a su posición normal.

AVISO

No use el arrancador durante más de 5 segundos o se puede producir un daño en el motor de arranque. Si el motor no arranca, suelte el interruptor y espere 10 segundos antes de volver a operar el arrancador.

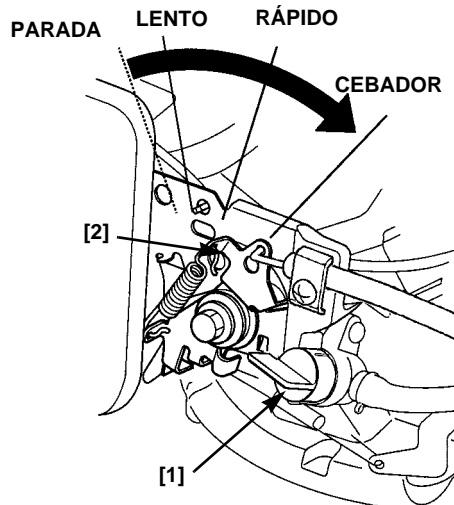
4. Apenas arranque el motor, mueva lentamente la palanca del cebador/acelerador/parada a la posición RÁPIDO.
5. Permita que el motor se caliente a temperatura de funcionamiento, y luego enganche la palanca de control de cuchillas (ver manual del equipo).

Ajuste de la aceleración

Coloque la palanca del cebador/acelerador/parada en la velocidad deseada del motor. Para un mejor rendimiento del motor, se recomienda operarlo con la palanca de gases en la posición RÁPIDO (o alto).

Parar el motor

1. Desenganche la palanca de control del freno de cuchillas (consulte el manual del equipo).
2. Mueva la palanca del cebador/acelerador/parada a la posición LENTO, y deje que el motor quede en ralentí por algunos segundos.
3. Mueva la palanca del cebador/acelerador/parada a la posición de PARADA.
4. Gire la válvula de combustible a la posición CERRADA.

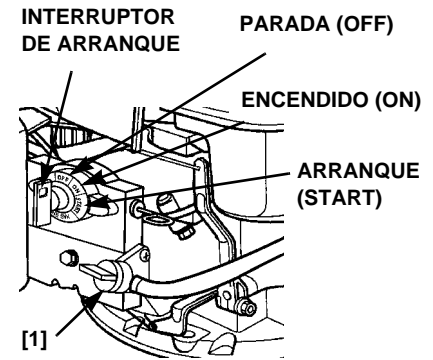


TIPO 7: ARRANQUE ELÉCTRICO CON INTERRUPTOR DE ARRANQUE/CONTROL MANUAL DEL CEBADOR/ ACELERACIÓN PREAJUSTADA MONTADOS EN EL MOTOR

Arranque de un motor

1. Gire la válvula de combustible [1] a la posición ABIERTA (ON).
2. Tire de la varilla del cebador a la posición ABIERTA (consulte el paso 2 del TIPO 5 en la página 5) (motor frío).
3. *Operación del arrancador eléctrico*

Gire el interruptor de arranque a la posición ARRANQUE y manténgalo allí hasta que el motor comience a funcionar. Cuando lo haga, permita que el interruptor de arranque regrese a su posición ABIERTA.



AVISO

No use el arrancador por más de 5 segundos o se puede producir un daño en el motor de arranque. Si el motor no arranca, suelte el interruptor y espere 10 segundos antes de volver a operar el arrancador.

Operación del arrancador manual

- a. Gire el interruptor de arranque a la posición MARCHA.
 - b. Tire suavemente de la empuñadura del arrancador hasta que sienta resistencia. Entonces tire con fuerza (consulte el paso 4 del TIPO 1 en la página 4).
4. Si se utilizó el cebador para encender el motor, mueva la varilla del cebador a la posición CERRADO apenas el motor se haya calentado lo suficiente como para funcionar sin problemas, sin usar el cebador.

La aceleración está preajustada en este tipo.

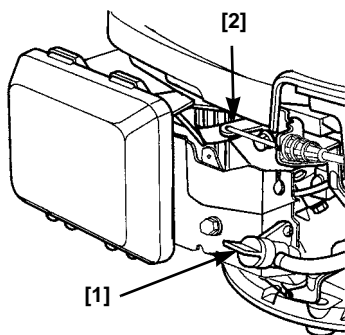
Parada del motor

1. Gire el interruptor de arranque a la posición de PARADA (STOP).
2. Gire la válvula de combustible a la posición CERRADA.

TIPO 8: AUTOMÁTICO CEBADOR/ACELERACIÓN FIJA

Arranque de un motor

1. Gire la válvula de combustible a la posición ABIERTA.
2. Mueva la palanca del freno del volante a la posición MARCHA.
3. Tire suavemente de la empuñadura del arrancador hasta que sienta resistencia. Entonces tire con fuerza (consulte el paso 4 del TIPO 1 en la página 4).



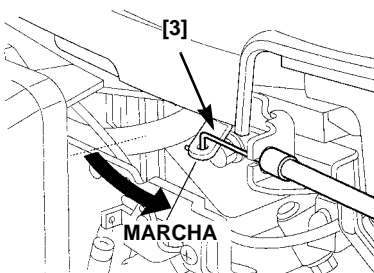
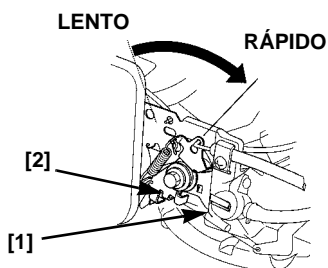
Parar el motor

1. Suelte la palanca de freno del volante para activarlo y parar el motor.
2. Gire la válvula de combustible a la posición CERRADA.

TIPO 9: AUTOMÁTICO CEBADOR/ACELERACIÓN REMOTA/FRENO DEL VOLANTE

Arranque de un motor

1. Gire la válvula de combustible [1] a la posición ABIERTA (ON).
2. Consulte el manual del equipo y coloque el control del acelerador [2] de manera que la palanca del acelerador se mueva a la posición RÁPIDO.
3. Consulte el manual del equipo y coloque el control del freno del volante [3] de manera que la palanca del freno del volante quede en la posición MARCHA.
4. Tire suavemente de la empuñadura del arrancador hasta que sienta resistencia. Entonces tire con fuerza (consulte el paso 4 del TIPO 1 en la página 4).

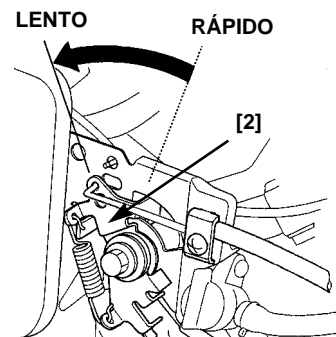


Ajuste de la aceleración

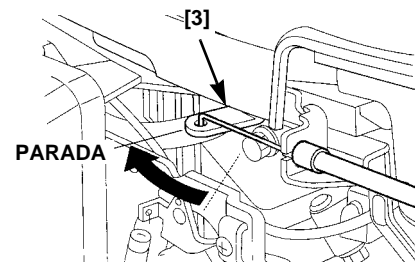
Coloque el control del acelerador en la velocidad deseada del motor. Para un mejor rendimiento del motor, se recomienda operar el motor con el acelerador en la posición RÁPIDO (o alto).

Parar el motor

1. Mueva el control del acelerador [2] a la posición LENTO.



2. Suelte la palanca de freno del volante [3] para parar el motor.

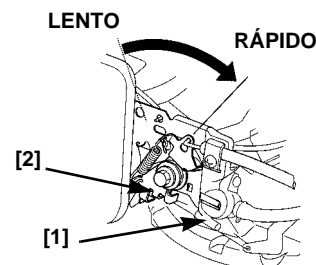


3. Gire la válvula de combustible a la posición CERRADA.

TIPO 10: AUTOMÁTICO CEBADOR/ACELERACIÓN REMOTA/FRENO DE CUCHILLAS (CONTROL DEL EQUIPO)

Arranque de un motor

1. Gire la válvula de combustible [1] a la posición ABIERTA.
2. Consulte el manual del equipo y coloque el control del acelerador [2] de manera que la palanca del acelerador se mueva a la posición RÁPIDO.
3. Asegúrese de que la palanca de control de cuchillas esté desenganchada (consulte el manual del equipo).
4. Tire suavemente de la empuñadura del arrancador hasta que sienta resistencia. Entonces tire con fuerza (consulte el paso 4 del TIPO 1 en la página 4).



Ajuste de la aceleración

Coloque la palanca del acelerador/parada en la velocidad deseada del motor. Para un mejor rendimiento del motor, se recomienda operarlo con la palanca de gases en la posición RÁPIDO (o alto).

Parar el motor

1. Desenganche la palanca de control del freno de cuchillas (consulte el manual del equipo).
2. Mueva la palanca del acelerador/parada a la posición LENTO, y deje que el motor quede en ralentí por algunos segundos.
3. Mueva la palanca del cebador/acelerador/parada a la posición de PARADA.
4. Gire la válvula de combustible a la posición CERRADA.

SERVICIO DEL MOTOR

LA IMPORTANCIA DEL MANTENIMIENTO

El buen mantenimiento es fundamental para una operación segura, económica y sin problemas. También ayuda a disminuir la polución.

ADVERTENCIA

El mantenimiento inadecuado, o no corregir un problema antes de operarlo, puede causar una falla por cual usted puede resultar gravemente herido o morir.

Siempre siga las recomendaciones de inspección y mantenimiento de este manual del propietario.

Para ayudarlo a cuidar adecuadamente del motor, las siguientes páginas incluyen un programa de mantenimiento, procedimientos de inspección de rutina, y procedimientos simples de mantenimiento con herramientas de mano básicas. Otras tareas de servicio más difíciles, o que requieran de herramientas especiales, se manejan mejor en manos de profesionales, y las realizan normalmente técnicos de Honda y otros mecánicos calificados.

El programa de mantenimiento se aplica a condiciones normales de operación. Si opera el motor en condiciones difíciles, como una operación en constante sobrecarga o alta temperatura, o en condiciones anormalmente húmedas o polvorientas, consulte al servicio técnico de su concesionario sobre recomendaciones que se apliquen a sus necesidades y a su uso individuales.

Recuerde que su concesionario Honda autorizado conoce mejor el motor, y que está totalmente equipado para realizarle mantenimiento y repararlo.

Para asegurar la mejor calidad y confiabilidad, sólo use piezas originales Honda nuevas u otras equivalentes para la reparación y cambio.

El mantenimiento, cambio o reparación de los dispositivos y sistemas de control de emisiones, lo puede hacer cualquier establecimiento o individuo que repare motores, usando partes que estén "certificadas" según los estándares de la EPA.

SEGURIDAD DEL MANTENIMIENTO

A continuación se presentan algunas de las precauciones de seguridad más importantes. Sin embargo, nos es imposible advertirle acerca de todos y cada uno de los peligros posibles que pueden surgir al llevar a cabo el mantenimiento. Sólo usted puede decidir si debería o no realizar una tarea específica.

ADVERTENCIA

La falta de cumplimiento con las instrucciones y las precauciones de mantenimiento puede causarle lesiones o la muerte.

Siempre siga cuidadosamente los procedimientos y observe las precauciones contenidas en este manual del propietario.

PRECAUCIONES DE SEGURIDAD

- Asegúrese que el motor está apagado antes de comenzar cualquier mantenimiento o reparación. Esto le ayudará a eliminar varios peligros potenciales:
 - **Envenenamientos por monóxido de carbono proveniente del escape del motor.**
Cerciórese de que el lugar en el que opera esté lo suficientemente ventilado el motor.
 - **Quemaduras causadas por piezas calientes.**
Deje enfriar el motor y el sistema de escape antes de tocarlos.
 - **Lesiones provocadas por piezas en movimiento.**
No ponga en marcha el motor a menos que se le indique hacerlo.

- Lea las instrucciones antes de comenzar y asegúrese que tiene las herramientas y habilidades necesarias.
- Para reducir la posibilidad de que se produzca un incendio o una explosión, tenga cuidado cuando trabaje cerca de gasolina. Use solamente un solvente no inflamable para limpiar las piezas. No use gasolina. Mantenga todas las piezas relacionadas con el combustible fuera del alcance de los cigarrillos, las chispas y las llamas.

PROGRAMA DE MANTENIMIENTO

Punto (1)	Acción	En cada uso	Primer mes o 5 h.	Cada estación		Cada 100 h.	Cada 150 h.	Página
				o 25 h.	o 50 h.			
Aceite de motor	Revisar	O						10
	Cambiar		O		O (3)			10
Filtro de aire	Revisar	O			O			10
	Limpiar				O (2)			
	Reemplazar						O (200 h.)	
Bujía	Revisar-Ajustar				O			10
	Reemplazar						O (200 h.)	
Freno de cuchillas	Revisar					O		*
Pastilla de freno del volante	Revisar				O			11
Supresor de chispas (equipo opcional)	Limpiar					O		11
Ralentí velocidad	Ajustar						O (4)	Manual del taller
Tanque y filtro de combustible	Revisar					O (4)		Manual del taller
Holgura de la válvula	Revisar					O (4)		Manual del taller
	Ajustar							
Línea de combustible	Revisar							Manual del taller
Cámara de combustión	Limpiar							Manual del taller

- (1) Para uso comercial, registre las horas de funcionamiento para determinar los intervalos de mantenimiento adecuados.
 - (2) Realice el servicio con más frecuencia cuando se usa en áreas polvorientas.
 - (3) Cambie el aceite del motor cada 25 horas cuando se use bajo fuerte demanda o con alta temperatura ambiental.
 - (4) El servicio técnico de su concesionario Honda autorizado debe realizar el servicio a estos artículos, a menos que sea eficiente en las operaciones mecánicas y que tenga las herramientas adecuadas. Consulte el manual del taller Honda para obtener los procedimientos de servicio.
- * Consulte el manual del equipo o el manual del taller del motor Honda.

Si no sigue este programa de mantenimiento pueden producirse fallas que no entran en la garantía.

REABASTECIMIENTO

Este motor está homologado para utilizar gasolina sin plomo con un octanaje de 86 o superior.

Eche gasolina en un área bien ventilada y con el motor parado. Si el motor ha estado funcionando, deje que se enfríe primero. No eche gasolina a la máquina en el interior de un edificio donde los vapores de la gasolina puedan estar expuestos a alguna llama o chispa.

Puede usar gasolina ordinaria sin plomo que no contenga más del 10% de etanol (E10) o del 5% de metanol por volumen. Asimismo, el metanol debe contener cosolventes e inhibidores de corrosión. El uso de combustibles con un contenido de metanol superior al mostrado

anteriormente puede ocasionar problemas de arranque o de funcionamiento. También puede dañar las piezas de metal, goma y plástico del sistema de combustible. El daño al motor o los problemas de funcionamiento que resulten del uso de un combustible con porcentajes de etanol o metanol superiores a los mostrados anteriormente no están cubiertos por la garantía.

Si va a usar el equipo de forma intermitente o sólo ocasionalmente, consulte la sección de combustible del capítulo ALMACENAMIENTO (página 12) para obtener más información sobre el deterioro del combustible.

⚠ ADVERTENCIA

La gasolina es altamente inflamable y explosiva y usted puede quemarse o lesionarse gravemente al reabastecer.

- Pare el motor y mantenga lejos el calor, las chispas y las llamas.
- Reabastezca sólo al aire libre.
- Limpie inmediatamente los derrames.

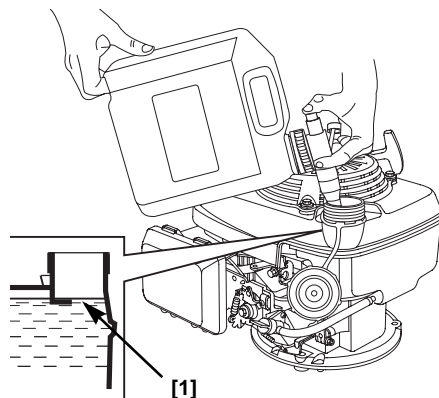
AVISO

El combustible puede dañar la pintura y algunos tipos de plástico. Tenga cuidado de no derramar combustible cuando llena el tanque. El daño causado por el combustible derramado no está cubierto por la Garantía limitada de su distribuidor.

No use nunca gasolina rancia o contaminada ni mezclas de aceite y gasolina. No permita que entre suciedad o agua en el tanque de combustible.

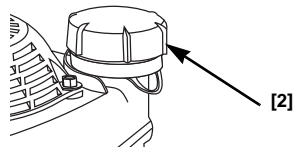
Agregar combustible

1. Quite la tapa del tanque de combustible.
2. Agregue combustible hasta la parte inferior del límite de nivel de combustible en el tubo del tanque [1]. No llene de más. Limpie el combustible derramado antes de arrancar el motor.



3. Apriete el tapón [2] firmemente.

Antes de arrancar el motor, aléjese al menos 3 metros del emplazamiento y la fuente de la gasolina.



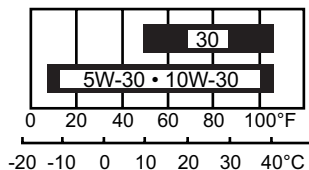
ACEITE DE MOTOR

El aceite es un factor muy importante que afecta el rendimiento y la vida de servicio. Emplee aceite detergente para automóviles de 4 tiempos.

Aceite recomendado

Use aceite para motor de 4 tiempos que cumpla o sobrepase los requisitos para la clasificación de servicio API SJ o equivalente.

Compruebe siempre la etiqueta de servicio API en el recipiente del aceite para asegurarse que incluye las letras SJ o equivalente.



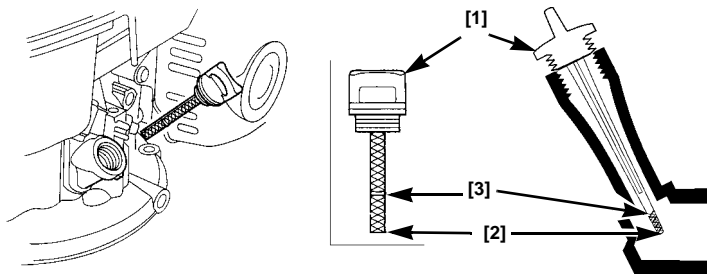
TEMPERATURA AMBIENTE

Para un uso general se recomienda SAE 10W-30. Las demás viscosidades que aparecen en la tabla pueden ser usadas cuando la

temperatura promedio en el área se encuentra entre los parámetros indicados.

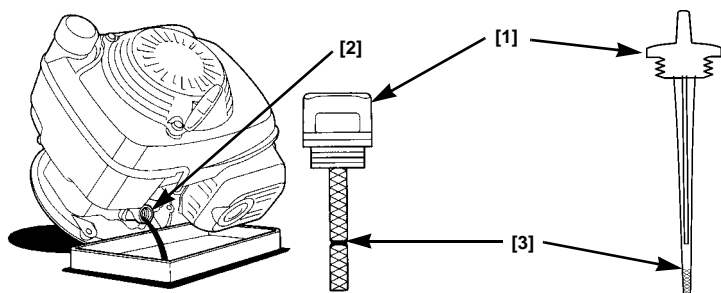
Revisión del nivel de aceite

1. Revise el aceite con el motor parado y nivelado.
2. Quite la tapa del depósito de aceite/varilla medidora del nivel de aceite [1] y límpiela.
3. Inserte la tapa del depósito de aceite/varilla medidora del nivel de aceite en el tubo de llenado de éste como se muestra, pero no la atornille, luego quítela para revisar el nivel de aceite.
4. Si el nivel de aceite está cerca o por debajo de la marca de límite bajo [2] de la varilla medidora del nivel de aceite, quite la tapa del depósito de aceite/varilla medidora del nivel de aceite y llénelo con el aceite recomendado hasta la marca de límite superior [3]. No llene de más.
5. Vuelva a instalar la tapa/varilla medidora del nivel de aceite.



Cambio de aceite

Drene el aceite del motor cuando éste se encuentre caliente. El aceite caliente se drena rápida y completamente.



1. Gire la válvula de combustible a la posición CERRADA para disminuir la posibilidad de pérdida de combustible.
2. Coloque un recipiente adecuado cerca del motor para recoger el aceite usado.
3. Quite la tapa/varilla medidora del nivel de aceite [1] y drene el aceite al recipiente inclinando el motor hacia el tubo de llenado del aceite [2].

Elimine el aceite de motor usado de una forma que sea compatible con el medio ambiente. Le sugerimos que lleve el aceite usado en un recipiente sellado al centro de reciclaje local o estación de servicio para su recuperación. No lo tire a la basura ni vierta en el suelo o en el desagüe.

4. Con el motor en una posición nivelada, llene hasta la marca de límite alto [3] en la varilla medidora del nivel de aceite con el aceite recomendado (consulte más arriba).

AVISO

Poner en marcha el motor con un nivel de aceite bajo puede causar daños en el motor.

5. Vuelva a instalar bien la tapa/varilla medidora del nivel de aceite.

FILTRO DE AIRE

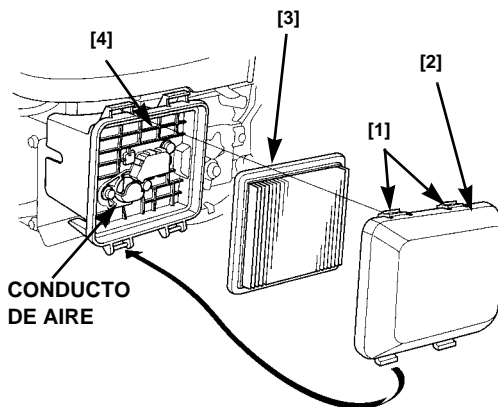
Un filtro de aire sucio restringirá el flujo de aire al carburador y causará el funcionamiento defectuoso del motor. Inspeccione el filtro cada vez que opere el motor. Necesitará limpiar con más frecuencia el filtro si usted opera el motor en áreas muy polvorientas.

AVISO

Operar el motor sin filtro o con el filtro dañado, permitirá que la suciedad entre al motor, causando un rápido desgaste de éste. Este tipo de daño no está cubierto por la Garantía limitada de su distribuidor.

Inspección

1. Presione las lengüetas de enganche [1] de la parte superior de la cubierta del filtro de aire [2] y quítela. Revise el filtro [3] para asegurarse que está limpio y en buen estado.
2. Vuelva a instalar el filtro de aire y su cubierta.



Limpieza

1. Golpee ligeramente el filtro varias veces sobre una superficie dura para quitar la suciedad o sople aire comprimido [que no sobrepase las 207 kPa a través del filtro desde el lado limpio que enfrenta al motor. Nunca intente quitar la suciedad con una escobilla. El escobillado forzaría la suciedad dentro de las fibras.
2. Limpie la suciedad del cuerpo y de la cubierta del filtro de aire [4] usando una alfombrilla húmeda. Tenga cuidado de evitar que la suciedad entre al conducto de aire [5] que lleva al carburador.

BUJÍA

Bujía recomendada:

NGK BPR6ES (aplicaciones de lavado a presión)
NGK BPR5ES (demás aplicaciones)

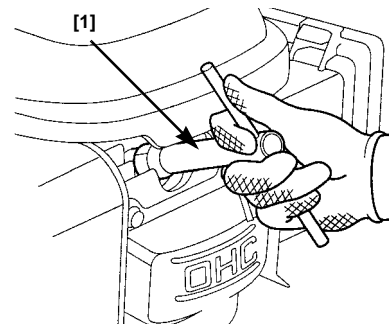
La bujía recomendada tiene la gama térmica correcta para las temperaturas normales de funcionamiento del motor.

AVISO

Las bujías incorrectas pueden causar daños en el motor.

Para un buen funcionamiento, la bujía debe estar adecuadamente abierta y libre de depósitos.

1. Desconecte el capuchón de la bujía y retire cualquier suciedad del área de ésta.
2. Use la llave de bujías [1] del tamaño adecuado para extraerla.



3. Inspeccione la bujía. Reemplácela si está dañada, muy sucia, si la abrazadera [2] está en mal estado o si el electrodo está desgastado.

4. Mida la separación de las puntas del electrodo con un medidor adecuado. La separación correcta es 0,70 ~ 0,80 mm. Si es necesario un ajuste, corrija la separación doblando cuidadosamente el electrodo lateral.

5. Instale la bujía cuidadosamente, a mano, para evitar un mal enrosque.

6. Después que la válvula está asentada, apriétela con la llave de bujías del tamaño adecuado para comprimir la junta.

Cuando instale una bujía nueva, apriete 1/2 giro después que la bujía se asienta para comprimir la junta.

Cuando vuelva a instalar la bujía original, apriete de 1/8 a 1/4 de giro después que la bujía se asienta para comprimir la junta.

AVISO

Apriete la bujía adecuadamente. Una bujía suelta puede calentarse demasiado y dañar el motor. El apriete excesivo de la bujía puede dañar las roscas en la culata.

7. Coloque el capuchón de la bujía.

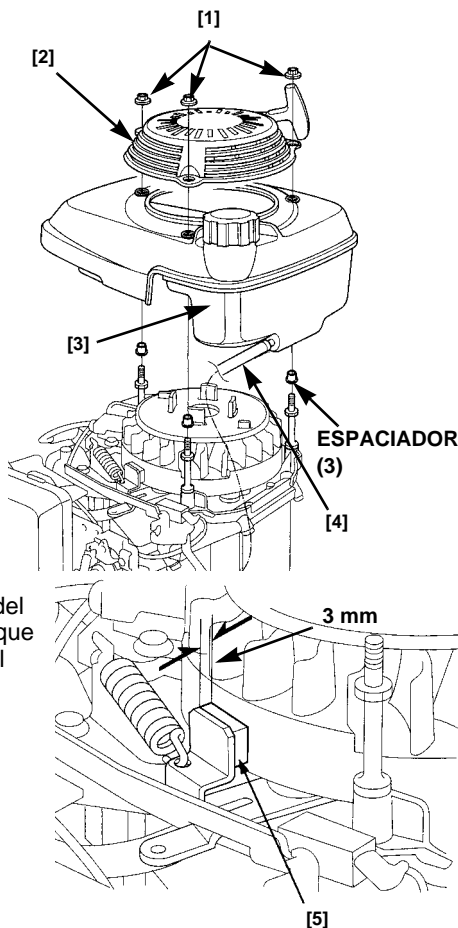
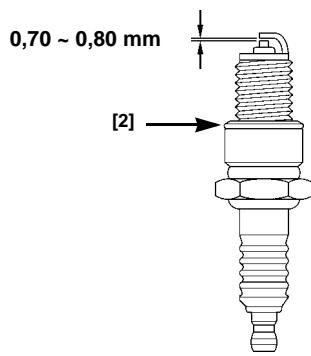
INSPECCIÓN DEL FRENO DEL VOLANTE

1. Retire las tres tuercas de brida [1] del arrancador manual [2] y extráigalo del motor.

2. Extraiga el tanque de combustible [3] del motor sin desconectar el tubo [4]. Si el tanque contiene combustible, manténgalo nivelado mientras lo extrae y déjelo a un lado del motor en una posición nivelada.

3. Compruebe el espesor de la zapata del freno [5]. Si es menor que 3 mm, lleve el motor al servicio técnico de su concesionario Honda autorizado.

4. Instale el tanque de combustible y el arrancador manual, y apriete bien las tres tuercas.



SUPRESOR DE CHISPAS (equipo opcional)

El parachispas puede ser el estándar o uno opcional, dependiendo del tipo de motor. En algunas áreas, es ilegal operar un motor sin un parachispas. Verifique las leyes y regulaciones locales. Los concesionarios de servicio autorizados Honda tienen disponibles parachispas.

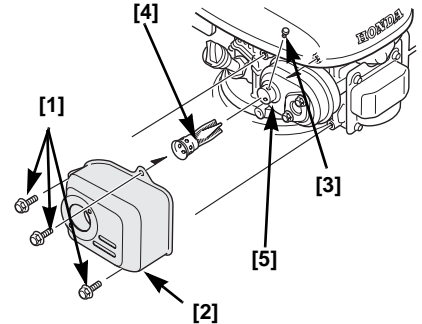
Al supresor de chispas se le debe realizar el servicio cada 100 horas para mantenerlo funcionando como se diseñó.

Si el motor ha estado en marcha, el silenciador estará caliente. Deje que se enfríe antes de realizar el servicio del supresor de chispas.

Desmontaje del supresor de chispas

1. Retire los tres pernos [1] de 6 mm del protector del silenciador [2] y extraiga el protector.

2. Retire el tornillo especial [3] del supresor de chispas [4] y extráigalo del silenciador [5].



Limpieza e inspección del supresor de chispas

1. Use un cepillo para quitar los depósitos de carbonilla de la pantalla del supresor de chispas. Tenga cuidado de no dañar la pantalla. Reemplace el supresor de chispas si tiene roturas u orificios.

2. La instalación del supresor de chispas se hace en el orden contrario del desmontaje.



ALMACENAJE DEL MOTOR

Preparación del almacenaje

Una adecuada preparación del almacenaje es esencial para mantener al motor sin averías y con un buen aspecto. Los siguientes pasos ayudarán a que el óxido y la corrosión no afecten ni el funcionamiento ni la apariencia del motor, y harán que el motor arranque más fácilmente cuando lo vuelva a usar.

Limpieza

Si el motor ha estado en marcha, déjelo enfriar por al menos media hora antes de limpiarlo. Limpie todas las superficies exteriores, retoque cualquier pintura dañada y cubra con una fina capa de aceite otras áreas que se pueden oxidar.

AVISO

Usar una manguera de jardín o un equipo de lavado a presión puede forzar agua dentro de las aberturas de filtro de aire y del silenciador. El agua en el filtro de aire lo empapará y el agua que pase a través del filtro de aire o del silenciador puede entrar al cilindro, causando daños.

Combustible

AVISO

Según la región en la que se vaya a usar el equipo, es posible que los combustibles se deterioren y oxiden con rapidez. El deterioro y la oxidación del combustible pueden producirse incluso antes de 30 días y pueden dañar el carburador y el sistema de combustible. Pida a su proveedor de mantenimiento que le indique cuáles serían las condiciones óptimas de almacenamiento en la región.

La gasolina en almacenaje se oxida y se deteriora. La gasolina deteriorada causará un arranque difícil y deja depósitos de chicle que obstruyen el sistema de combustible. Si la gasolina en el motor se deteriora durante el almacenaje, puede que sea necesario realizar el servicio o reemplazar el carburador y demás componentes del sistema de combustible.

El tiempo que la gasolina puede permanecer en el tanque de combustible y en el carburador sin causar problemas de funcionamiento variará con factores tales como la mezcla de la gasolina, las temperaturas de almacenaje y si el tanque de combustible está parcial o completamente lleno. El aire en un tanque parcialmente lleno promueve el deterioro del combustible. Las temperaturas de almacenaje muy cálidas aceleran el deterioro del combustible. Se pueden producir problemas con el combustible dentro de meses o incluso en menor tiempo si la gasolina no estaba fresca cuando usted llenó el tanque de combustible.

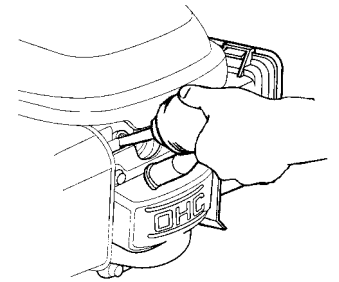
Los daños al sistema de combustible o los problemas de funcionamiento del motor resultantes de la negligencia en la preparación del almacenaje, no están cubiertos por la garantía de su motor.

Para impedir problemas relacionados con el combustible:

1. Agregue el estabilizador para la gasolina siguiendo las instrucciones del fabricante.
Cuando agregue un estabilizador para la gasolina, llene el tanque de combustible con gasolina fresca. Si sólo está parcialmente lleno, el aire en el tanque promoverá el deterioro del combustible durante el almacenaje. Si usted mantiene un recipiente con gasolina para el reabastecimiento, asegúrese que sólo contiene gasolina fresca.
2. Después de agregar el estabilizador para la gasolina, ponga en marcha el motor al aire libre por 10 minutos para asegurarse que la gasolina tratada reemplazó a la gasolina no tratada en el carburador.
3. Gire la válvula de combustible a la posición CERRADA (consulte el paso 1 del TIPO 1 en la página 4).
4. Siga haciendo funcionar el motor hasta que se pare por falta de combustible en la taza de combustible del carburador. El tiempo de funcionamiento debe ser menor que 3 minutos.

Aceite del motor

1. Cambie el aceite del motor (consulte la página 10).
2. Retire la bujía (consulte la página 10).
3. Vierta 5 ~ 10 cc de aceite de motor limpio en el cilindro.
4. Tire del arrancador manual varias veces para distribuir el aceite.
5. Vuelva a instalar la bujía.



Precauciones del almacenaje

Si el motor va a ser almacenado con gasolina en el tanque de combustible y en el carburador, es importante disminuir el peligro del encendido de los vapores de la gasolina. Seleccione un área de almacenaje bien ventilada lejos de cualquier aparato que funcione con fuego, como una caldera, un calentador de agua o un secador de ropa. Evite también cualquier área con un motor eléctrico que produzca chispas o donde funcionen herramientas mecánicas.

Si es posible, evite áreas de almacenaje con una alta humedad, porque promueve el óxido y la corrosión.

Si hay gasolina en el tanque de combustible, deje la válvula de combustible en la posición CERRADA (consulte el paso 1 del TIPO 1 en la página 4).

Mantenga el motor nivelado en el almacenaje. La inclinación puede causar pérdidas de combustible o de aceite.

Cuando el motor y el sistema de escape estén fríos, cubra el motor para protegerlo del polvo. Un motor y un sistema de escape calientes pueden encender o derretir algunos materiales. No use láminas de plástico como cubierta guardapolvo. Una cubierta no porosa atraparà la humedad alrededor del motor, promoviendo el óxido y la corrosión.

Retiro del almacenaje

Compruebe el motor según se describe en la sección **COMPROBACIONES ANTES DE LA OPERACIÓN** de este manual (consulte la página 3).

Si se drenó el combustible durante la preparación del almacenaje, llene el tanque con gasolina fresca. Si usted mantiene un recipiente con gasolina para el reabastecimiento, asegúrese que sólo contiene gasolina fresca. La gasolina se oxida y deteriora con el tiempo, causando dificultades en el arranque.

Si cubrió el cilindro con aceite durante la preparación del almacenaje, el motor brevemente lanzará humo al arrancar. Esto es normal.

TRANSPORTE

Mantenga nivelado el motor al transportarlo para disminuir la posibilidad de pérdida de combustible. Gire la válvula de combustible a la posición CERRADA (consulte el paso 1 del TIPO 1 en la página 4).

Revise las instrucciones que acompañan al equipo que viene con este motor para cualquier procedimiento que se recomiende en caso de transporte.

OCUPARSE DE PROBLEMAS INESPERADOS

EL MOTOR NO ARRANCA

Causa posible	Corrección
Válvula de combustible CERRADA.	Mueva la palanca a la posición ABIERTA.
Cebador CERRADO.	Mueva la palanca del cebador/ acelerador, la varilla del cebador o la palanca del cebador a la posición CEBADOR ABIERTO a menos que el motor esté caliente.
Interruptor de encendido o interruptor de paro del motor en la posición de APAGADO (OFF).	Mueva la palanca del freno del motor a la posición MARCHA. (Tipos 2 & 6: Palanca del acelerador a la posición RÁPIDO. Tipo 5: Interruptor de paro del motor a la posición de ENCENDIDO (ON))
Tipos de arrancador eléctrico: Batería con poca carga. Los cables de la batería están sueltos o corroídos. El fusible está fundido.	Consulte las instrucciones del fabricante del equipo para el mantenimiento de la batería y de los componentes relacionados.
Se acabó el combustible.	Reabastecer.
Combustible malo, motor almacenado sin tratar, o reabastecido con gasolina mala.	Reabastezca con gasolina fresca.
Bujía defectuosa, sucia o con una abertura inadecuada.	Cambie la bujía (p. 10).
Bujía mojada con combustible (motor ahogado).	Seque y vuelva a instalar la bujía. Arranque el motor con la palanca del cebador/acelerador en la posición RÁPIDO. (Tipos 4 & 5: Posición del cebador CERRADA.)
Filtro de combustible bloqueado, mal funcionamiento del carburador, del encendido, válvulas trabadas, etc.	Reemplace o repare los componentes defectuosos según sea necesario.

EL MOTOR NO TIENE POTENCIA SUFICIENTE

Causa posible	Corrección
Filtro bloqueado.	Limpie o reemplace el filtro (p. 10).
Combustible malo, motor almacenado sin tratar, o reabastecido con gasolina mala.	Reabastezca con gasolina fresca.
Filtro de combustible bloqueado, mal funcionamiento del carburador, del encendido, válvulas trabadas, etc.	Reemplace o repare los componentes defectuosos según sea necesario.

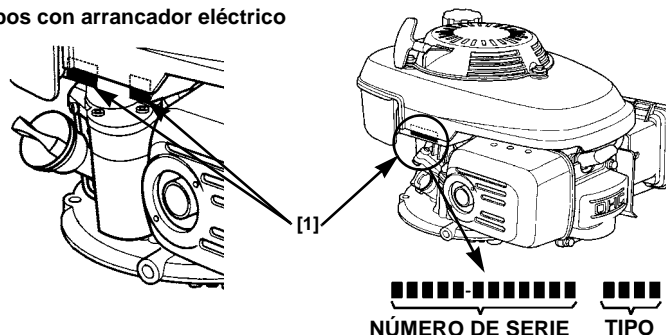
INFORMACIÓN TÉCNICA

Ubicación del número de serie y del tipo

Registre el número de serie y tipo de motor en el espacio a continuación. Necesitará esta información al pedir piezas o cuando realiza averiguaciones técnicas o sobre la garantía.

MODELO	NÚMERO DE SERIE	TIPO DE MOTOR
GCV160	_____	_____
GCV190	_____	_____
FECHA DE ADQUISICIÓN		

Tipos con arrancador eléctrico



Modificaciones al carburador para funcionamiento en altitud elevada

En altitud elevada, la mezcla estándar aire combustible del carburador es muy rica. El rendimiento disminuye y aumenta el consumo de combustible. Una mezcla muy rica también ensucia la bujía y causa un arranque difícil. El funcionamiento, por largos periodos, a una altitud que difiere para la que este motor está certificado, puede aumentar las emisiones.

El rendimiento a una altitud elevada se puede mejorar con modificaciones específicas al carburador. Si siempre opera el motor a altitudes por sobre los 1.500 metros, haga que el servicio técnico de su concesionario lleve a cabo esta modificación del carburador. Este motor, cuando funciona a una altitud elevada con las modificaciones en el carburador para esas altitudes, cumple cada estándar de emisiones a lo largo de su vida útil.

Incluso con la modificación en el carburador, la potencia del motor disminuye cerca de un 3,5% por cada 300 metros de aumento en la altitud. El efecto de la altitud en la potencia será mayor que esto si no se modifica el carburador.

AVISO

Quando se modifica el carburador para un funcionamiento a una altitud elevada, la mezcla aire combustible es muy pobre para un uso a altitud normal. El funcionamiento a altitudes por debajo de los 1.500 metros con un carburador modificado puede causar el sobrecalentamiento del motor y tener como resultado graves daños en el motor. Para un uso a altitudes normales, haga que el servicio técnico de su concesionario vuelva al carburador a las especificaciones originales de fábrica.

Especificaciones GCV160

Tipo	Arrancador manual	Arrancador eléctrico
Largo x Ancho x Alto	367 x 331 x 360 mm	367 x 354 x 360 mm
Peso en seco (sin combustible ni lubricantes)	9,8 kg	11,6 kg
Tipo de motor	4 tiempos, árbol de levas en cabeza, monocilíndrico	
Desplazamiento [Diámetro x Carrera]	160 cm ³ [64 x 50 mm]	
* Potencia neto (de acuerdo con SAE J1349)	3,3 kW a 3.600 rpm	
* Torque máximo neto (de acuerdo con SAE J1349)	9,4 Nm a 2.500 rpm	
Capacidad de aceite del motor	Motor seco: 0,55 ℓ ** Cantidad de relleno: 0,35 ~ 0,40 litros	
Capacidad del tanque de combustible	0,91 ℓ	
Consumo de combustible	1,1 ℓ/h a 3.000 rpm	
Sistema de enfriamiento	Aire forzado	
Sistema de encendido	Magneto transistorizado	
Rotación del eje PTO	Sentido contrario a las agujas del reloj	
Sistema de carga:		
freno de cuchillas	12 VDC, 0.15 A min. a 2.900 rpm	
freno de volante	12 VDC, 0.20 A min. a 2.900 rpm	

GCV190

Tipo	Arrancador manual	Arrancador eléctrico
Largo x Ancho x Alto	367 x 331 x 368 mm	367 x 354 x 368 mm
Peso en seco (sin combustible ni lubricantes)	12,3 kg	13,3 kg
Tipo de motor	4 tiempos, árbol de levas en cabeza, monocilíndrico	
Desplazamiento [Diámetro x Carrera]	187 cm ³ [69 x 50 mm]	
* Potencia neto (de acuerdo con SAE J1349)	3,8 kW a 3.600 rpm	
* Torque máximo neto (de acuerdo con SAE J1349)	11,3 Nm a 2.500 rpm	
Capacidad de aceite del motor	Motor seco: 0,55 ℓ ** Cantidad de relleno: 0,35 ~ 0,40 litros	
Capacidad del tanque de combustible	0,91 ℓ	
Consumo de combustible	1,3 ℓ/h a 3.000 rpm	
Sistema de enfriamiento	Aire forzado	
Sistema de encendido	Magneto transistorizado	
Rotación del eje PTO	Sentido contrario a las agujas del reloj	
Sistema de carga:		
freno de cuchillas	12 VDC, 0.15 A min. a 2.900 rpm	
freno de volante	12 VDC, 0.20 A min. a 2.900 rpm	

* La potencia nominal del motor indicado en este documento es la salida de potencia neta probada en un motor de producción para el modelo de dicho motor y medida según SAE J1349 a 3600 rpm (potencia neto) e 2500 rpm (torque máximo neto). Este valor puede variar en motores de fabricación en serie. La salida de potencia real para el motor instalado en la máquina final puede variar dependiendo de numerosos factores, como la velocidad de operación del motor en aplicación, las condiciones climáticas, el mantenimiento u otras variables.

** La cantidad real variará debido al aceite residual que permanezca en el motor. Use siempre la varilla indicadora de nivel para página 9.

Especificaciones de afinamiento

ARTICULO	ESPECIFICACIONES	MANTENIMIENTO
Abertura de la bujía	0,7 ~ 0,8 mm	Consulte la página 10.
Holgura de la válvula (frio)	ADM: 0,15 ± 0,04 mm ESC: 0,20 ± 0,04 mm	Consulte con su concesionario Honda autorizado
Otras especificaciones	No se necesita otros ajustes.	

Información de referencia rápida

Combustible	Tipo	Gasolina sin plomo con un octanaje de 86 o superior.(página 8).
Aceite del motor	Tipo	SAE 10W-30, API SJ, para uso general. Consulte la página 9. **Cantidad de relleno: 0,35 ~ 0,40 litros
Carburador	Ralentí	1.400 ± 150 rpm
Bujía	Tipo	NGK BPR6ES (aplicaciones de lavado a presión) NGK BPR5ES (demás aplicaciones)
Mantenimiento	Antes de cada uso	Compruebe el nivel de aceite del motor. Consulte la página 10. Compruebe el filtro de aire. Consulte la página 10.
	Primeras 5 horas	Cambie el aceite del motor. Consulte la página 10.
	Posterior	Consulte el programa de mantenimiento en la página 8.

** La cantidad real variará debido al aceite residual que permanezca en el motor. Use siempre la varilla indicadora de nivel para página 9.

Conexiones de la batería

Use los siguientes materiales para conectar una batería de 12 voltios al arrancador en las unidades tipo 7 (con interruptor de arranque eléctrico/aceleración fija/cebador manual):

- **Batería:** batería de plomo de 12 voltios con un amperaje hora recomendado de 3 Ah o una batería de níquel cadmio de 14,4 voltios, con un amperaje hora recomendado de 1,7 Ah.
- **Alambre:** alambre de calibre 12 (mínimo) con una longitud máxima de 3 metros.
- **Fusible:** fusible tipo cuchilla de 40 amperios.
- **Terminal:** conector macho y terminal serie 56 Delphi para conectar al mazo de cables.

Recubra las terminales de la batería y los extremos del cable con grasa dieléctrica. Tenga cuidado de no conectar la batería invirtiendo las polaridades.

ADVERTENCIA

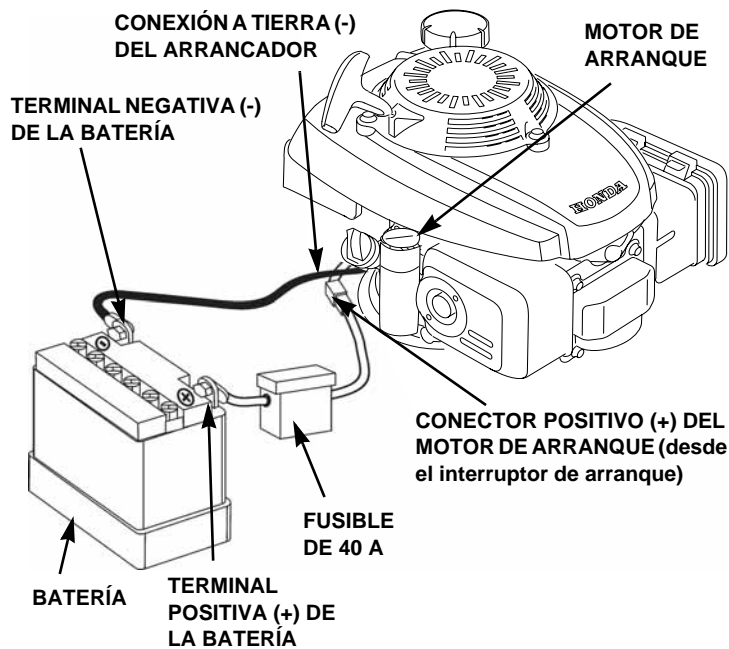
Una batería puede explotar si no sigue el procedimiento correcto, lesionando gravemente a cualquiera que esté cerca.

Mantenga la batería fuera del alcance de las chispas, llamas y cigarrillos.

ADVERTENCIA: Los bornes, las terminales y los accesorios relacionados con la batería contienen plomo y compuestos de plomo. **Lávese las manos luego de tocarlos.**

1. Conecte el cable positivo (+) de la batería usando el conector y aislador correspondientes al conector del arrancador suministrado.
2. Conecte el cable negativo (-) de la batería a un perno de montaje del motor, perno de encoframiento o a la posición de tierra suministrada en el motor de arranque (requiere un tornillo de 5 x 8 mm).
3. Conecte el cable positivo (+) de la batería a la terminal positiva (+) de la batería según se muestra.
4. Conecte el cable negativo (-) de la batería a la terminal negativa (-) de la batería según se muestra.

El siguiente diagrama sólo muestra las conexiones para las unidades tipo 7 (con interruptor de arranque eléctrico/aceleración fija/cebador manual). Las conexiones son distintas para los demás tipos de arranque eléctrico (tipos 4 y 6).

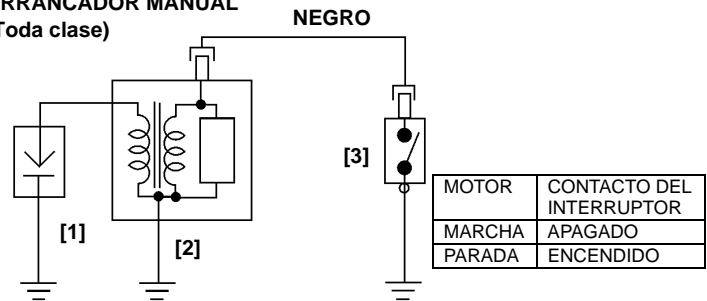


Si el motor no está equipado con una bobina de carga, ésta sólo perderá carga durante el funcionamiento del motor de arranque. No hay pérdida en la batería una vez que el motor está funcionando.

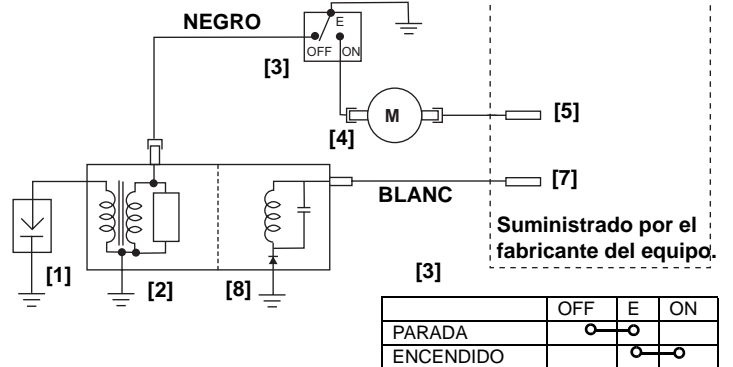
Un sistema externo debe cargar la batería, si el motor no está equipado con una bobina de carga. Consulte las instrucciones del fabricante del equipo o de la batería para obtener recomendaciones específicas para la carga externa de ésta.

Diagrama del cableado

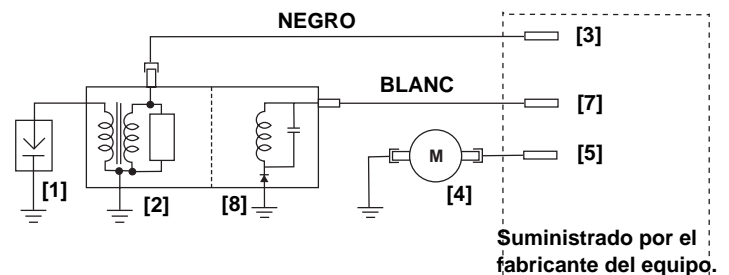
ARRANCADOR MANUAL (Toda clase)



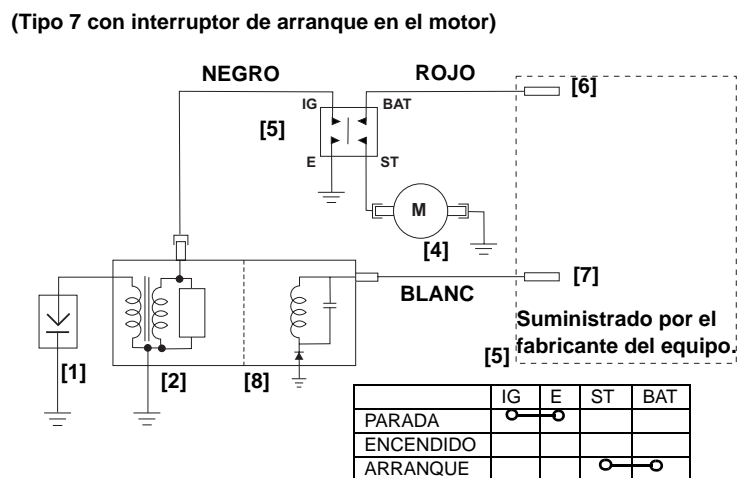
ARRANCADOR ELÉCTRICO (Tipo 4 con freno de volante)



ARRANCADOR ELÉCTRICO (Tipo 6 con freno de cuchillas)



ARRANCADOR ELÉCTRICO (Tipo 7 con interruptor de arranque en el motor)



[1] BUJÍA	[5] INTERRUPTOR DE ARRANQUE
[2] BOBINA DE ENCENDIDO	[6] FUSIBLE DE (40 A)
[3] INTERRUPTOR DE PARO DEL MOTOR	[7] BATERIA
[4] MOTOR DE ARRANQUE	[8] BOBINA DE CARGA (SI SE DISPONE DE ELLA)

INFORMACIÓN DEL CONSUMIDOR

Garantía e información para encontrar distribuidores/ concesionarios

Estados Unidos, Puerto Rico, e Islas Virgenes Estadounidenses:

Visite nuestro sitio en la Web: www.honda-engines.com

Canadá:

Llame al (888) 9HONDA9

o visite nuestro sitio en la Web: www.honda.ca

Publicaciones Honda

Estas publicaciones le entregarán información adicional para el mantenimiento y la reparación del motor. Puede pedirlos al servicio técnico de un concesionario Honda autorizado.

Manual del taller	Este manual cubre todos los procedimientos de mantenimiento y examinación. El objetivo es que los use un técnico adiestrado.
Catálogo de piezas	Este manual proporciona listas completas e ilustradas de las piezas.

Información de servicio de clientes

El personal de los concesionarios de servicio son profesionales entrenados Ellos podrán contestar a cualquier pregunta que usted les haga. Si se encuentra con un problema que su concesionario no puede resolver para dejarle satisfecho, comuníquese al jefe del concesionario. El jefe de servicio, el director general, o el propietario podrán ayudarle. Casi todos los problemas se resuelven de este modo.

Si no queda satisfecho con la decisión tomada por los jefes del concesionario, póngase en contacto con el distribuidor regional de motores Honda de su localidad.

Si todavía no está satisfecho después de hablar con el distribuidor de motor regional, podrá ponerse en contacto con la Oficina de Honda como se muestra.

<Oficinas Honda>

Cuando escriba o llame, tenga la amabilidad de incluir la información siguiente:

- Nombre del fabricante y número de modelo del equipo al que se ha montado el motor
- Modelo, número de serie, y tipo del motor
- Nombre del concesionario que le vendió el motor
- Nombre, dirección, y persona de contacto del concesionario que realiza el servicio de su motor
- Fecha de adquisición
- Su nombre, dirección y número de teléfono
- Una descripción detallada del problema

Estados Unidos, Puerto Rico, e Islas Virgenes Estadounidenses:

American Honda Motor Co., Inc.

Power Equipment Division

Customer Relations Dept.

4900 Marconi Drive

Alpharetta, GA 30005-8847

O llamar por teléfono: (770) 497-6400, 8:30 am - 7:00 pm ET

Canada:

Honda Canada, Inc.

Para información sobre la dirección visite el sitio www.honda.ca

Teléfono: (888) 9HONDA9 Llamada sin cargo

(888) 946-6329

Facsimil: (877) 939-0909 Llamada sin cargo

INFORMACIÓN DE SERVICIO AL CLIENTE DE MEXICO, LA AMÉRICA CENTRAL Y AMÉRICA DEL SUR

Argentina

Honda Motor De Argentina (HAR)
Avda. Lope de Vega 2799 (C1417 COL)
Capital Federal, Buenos Aires, Argentina
Phone:54-11-4630-3500
Fax:54-11-4630-3501
54-11-4630-3502 (parts)
www.hondamotor.com.ar

Bolivia

Agencias Generales
Avenida San Martin S-0253, Casilla Correo
530 Cochabamba, Bolivia
Phone:591-4-425-1062
Fax:591-4-425-1061
www.agsa.com

Brasil

Moto Honda da Amazonia
Estrada Municipal Valencio Calegari,777
Av. Interna 6-Predio A- Nova Veneza
Cep 13186-524, Sumare, Sp, Brasil CGC
04.337.168/006-52
Phone: 55-11-5576-5090
Fax:55-11-5574-1299
www.honda.com.br

Chile

Honda Motor de Chile S.A.
Estrada Municipal Valencio Calegari,777
Av. Interna 6-Predio A- Nova Veneza
Cep 13186-524, Sumare, Sp, Brasil CGC
04.337.168/006-52
Phone:56-2-270-9800
Fax:56-2-738-6511
www.hondamotor.cl

Colombia

Energia & Potencia Ltda.
Carrera 45 A #66A-100
Itagui, Antioquia, Colombia
Phone:574-374-1717
Fax:574-374-0411
FANALCA
P.O. Box 8066, Arroyohonda Autopista,
Cali-Yumbo, Cali, Colombia
Phone:572-651-5300
Fax:572-651-5370

Costa Rica

Franz Amrhein & Co., S.A. (FACO)
La Uruca, San Jose Calle 5/7,
P.O. Box 1766-1000, San Jose, Costa Rica
Phone:506-2576911
Fax:50-62-33-5584
Sociedad Anonima Autos (S.A.V.A.)
Apartado 10042-1000, La Uruca
San Jose, Costa Rica
Phone:50-62-56-8600
Fax:50-62-21-5570

Ecuador

Almacenes Juan Eljuri Cia. Ltda.
Av. Gil Ramirez Davalos 5-32
P.O. Box "F", Cuenca, Ecuador
Phone:011-593-786-2111
Fax:593-286-2303

El Salvador

Ensambladora Salvadoreno (ESSA)
Aptdo. 06-974 Blvd. Venezuela 1155
San Salvador, El Salvador ACEITE PARA
MOTORES
Phone:50-32-71-3777
Fax:50-32-71-5463

Sagrisa Industrial Servicio Agricola
Km 3 Blvd. del Ejercito Nacional, Apdo
Postal 394, San Salvador, El Salvador
Phone:503-293-2233
Fax:503-293-1577
www.sagrisa.com

Guatemala

Agencia Y Fabrica Honda, S.A. (FAHonda S.A.)
Boxes, Section 0315/ GUA
7801 NW 37th Street
Miami, Fl. 33166-6559, U.S.A.
Via 8 (Calle Mariscal Cruz),
5-34 Zona 4 01004
Guatemala City, Guatemala
Documents, Section 0315
P.O. Box 02-5289
Miami, Florida 33102-5289, U.S.A.
Phone:502-334-4195
Fax:502-334-4197
www.honda.com.gt

Honduras

BOMOHS A-
San Pedro Sula Ave.
Nueva Orleans 230, Honduras
Phone:504-556-6611
Fax:504-556-6617
www.bomohsa.net
Central Automatriz, S.A. de C.V. (Honduras)-
Apartado Postal No. 376
Tegucigalpa, D. C., Honduras
Phone:50-43-7-0710
Fax:50-43-7-2424

Mexico

Honda de Mexico
Carretera a el Castillo No. 7250
El Salto, Jalisco, Mexico 45680
Phone: 523-332-8400
Fax 523-332-84 01 70
www.honda.com.mx

Nicaragua

Ensambladora Nicaraguense (ENIMOSA)
Apartado 1949, Managua, Nicaragua
Phone:50-52-66-1232
Fax:50-52-66-1670

Panama

Comercial Forza (Packages go to E & P address)
c/o Panalpina S.A. Lote 4 Manzana 40
Edificio Z-40 Free Zone, Colon
Phone:57-4/313-30-38
Fax:507-214-8979
www.comforza.com

Paraguay

Diesa S.A.
Avda. Dr. Eusebio Ayala Km.
4,5 (Casilla De Correos No. 2523)
Asuncion, Paraguay
Phone:595-21-503-7921
Fax:595-21-503-721

Peru

Honda Del Peru (Hopesa)
Apartado Postal 1880, Av.
Republica De Panama 3490
San Isidro, Lima, Peru
Phone:5114-221-0407
Fax:5114-414-1141
www.honda.com.pe

República Dominicana

Agencia Bella C por A.
Av. John F. Kennedy, Z.6, Apartado
Postal 1206 Santo Domingo,
Dominican Republic
Phone:(809)5-42-6578
Fax:91/(809)565-0984
www.agenciabella.com

Uruguay

IWE S.A.
Dr. J. Barrios Amorin 1785
11.800 Montevideo, Uruguay
Phone:598-2-924-1012
Fax:598-2-924-1082
Nanvel S.A.-
Uruguayana 3402/08
Montevideo 11700, Uruguay
Phone:598-2-308-0279
Fax:598-2-308-0279

Venezuela

Honda De Venezuela C.A.
Av. Roosevelt, Galpon N 1 Prado de Maria
(Al lado de Sanchez & Cia.) Caracas,
Venezuela
Phone:58-2-239-8438
Fax:58-2-237-7780
www.hondadevenezuela.com.ve

INFORMASI GARANSI INTERNASIONAL UNTUK MESIN SERBA GUNA Honda

Mesin Serba Guna Honda yang dipasang pada produk buatan manufaktur lain (OEM) ini dijamin oleh garansi Honda, berdasarkan persyaratan berikut:

- Syarat garansi ini berlaku bagi mesin serba guna yang ditetapkan Honda untuk masing-masing negara.
- Garansi ini berlaku untuk kerusakan mesin yang disebabkan oleh masalah produksi atau spesifikasi.
- Garansi ini tidak berlaku bagi negara-negara yang tidak memiliki distributor Honda.

Cara memperbaiki produk yang memiliki garansi:

Bawalah produk Anda ke dealer yang berkaitan dengan produk-produk mesin Honda atau dealer tempat Anda membeli produk tersebut, dengan membawa nota pembelian yang Anda terima saat Anda membeli produk tersebut sebagai bukti bahwa produk Anda masih memiliki garansi. Apabila dealer tersebut menilai bahwa mesin Anda perlu diperbaiki, maka perbaikan akan diberikan.

KETERANGAN JAMINAN ANTARABANGSA UNTUK Honda GENERAL PURPOSE ENGINES

The Honda General Purpose Engine yang diinstal dalam produk OEM dilindungi oleh jaminan Honda, dalam penerimaan berikut:

- Syarat jaminan menurut kepada general-purpose engine yang dikeluarkan oleh Honda di setiap negara.
- Syarat jaminan berlaku untuk kerusakan enjin yang disebabkan sebarang pembuatan atau spesifikasi tertentu.
- Jaminan ini tidak berlaku untuk negara dimana yang tidak ada pengedar honda.

Bagaimana hendak membetulkan/membaliki produk anda dibawah jaminan:

Hantarkan produk OEM anda kepada pengedar yang mengedar produk Honda Power atau pengedar yang, anda beli produk anda dari padanya, dengan resit dimasa pembelian sebagai bukti yang produk anda masih dibawah jaminan kerosakan. Sekiranya pengedar mengutarakan supaya produk anda perlu dibaliki, jaminan pembalihan akan dijanjikan.

INTERNATIONAL WARRANTY INFORMATION FOR Honda GENERAL PURPOSE ENGINES

The Honda General Purpose Engine installed on this OEM product is covered by a Honda warranty, on the following assumptions.

- The warranty conditions conform to those for the general purpose engine established by Honda for each country.
- The warranty conditions apply to engine failures caused by any manufacturing or specification problem.
- The warranty does not apply to countries where there is no Honda distributor.

How to have your product repaired under warranty:

Bring your OEM product to the dealer who deals with Honda power products or the dealer who you purchased your product from, with the receipt you received at the time of purchase as evidence that your product is still under warranty. If the dealer judges that the engine needs to be repaired, warranty repair will be performed.

معلومات عن الضمانة الدولية لمحركات هوندا للأغراض العامة

محركات هوندا للأغراض العامة التي تم تركيبها على المنتجات التي تم صنعها بواسطة شركات أخرى تكون مشمولة بضمانة هوندا، وتخضع الضمانة الأساسية لما يلي:

- حالات الضمانة المطابقة لهذه المحركات للأغراض العامة تم وضعها من قبل هوندا لكل بلد.
- يتم تطبيق شروط الضمانة إلى أعمال المحرك التي سببها من أي خلل بالتصنيع أو مشاكل بالمواد.
- لا يتم تطبيق الضمانة على البلدان التي لا يوجد فيها موزع هوندا.

كيفية إصلاح جهازك تحت هذه الضمانة

خذ جهازك إلى الوكيل الذي يتعامل بمنتجات الطاقنة من قبل هوندا أو الوكيل الذي اشتريته منه مع مستند الشراء الذي استلمته عند وقت الشراء. كبرهان أن جهازك لا زال مشمول بالضمانة. إذا قرر الوكيل أن المحرك، في حاجة إلى إصلاح، يتم تنفيذ التصليح حسب الضمانة.

本田通用引擎國際保固通知

該OEM產品 中安裝的本田通用引擎包含有下列前提下的保固承諾。

- 保固條件應符合本田針對各國制定的通用引擎的保固條件。
- 保固條件適用於任何製造或規格問題所造成的引擎故障。
- 該保固不適用於無本田經銷商的國家。

如何使您的產品得到保固修理:

將您的OEM產品送到辦理本田動力產品的經銷商或您購買該產品的經銷商, 出示購買時所得到的發票, 以證明您的產品仍在保固期內. 若經銷商斷定該引擎需要修理時, 就會得到保固修理。

혼다 범용엔진에 대한 보증수리 안내

이 OEM제품에 장착된 혼다 범용엔진은 혼다 보증수리 기준에 따라 다음과 같이 적용됩니다.

- 각 나라별 혼다가 정한 범용엔진 보증조건을 따릅니다.
- 엔진결함의 원인이 제조상 또는 재원상일 경우에 보증조건을 따릅니다.
- 보증수리는 혼다 디스트리뷰터가 없는 나라에서는 적용되지 않습니다.

보증수리방법

OEM 제품이 보증수리기간 내에 있다는 증명서인 품질 보증서와 영수증을 지참하고 혼다범용엔진 딜러 또는 OEM제품을 구매한 딜러에게 방문하면 됩니다. 만일 그 딜러가 판단하여 엔진 수리가 필요할 경우 보증수리가 진행될 것입니다.

Honda 汎用エンジン 保証のご案内

このOEM製品 (相手先ブランド製品) に搭載されたHonda汎用エンジンはHondaの保証が適用されます。基本的な考え方は、以下の通りです。

- 保証条件は、その国においてHondaが定めている汎用エンジンの保証条件に従います。
- エンジン修理の原因が製造上、仕様のトラブルによるものである場合に保証が適用されます。
- その国にHondaディストリビューターが無い場合は、保証は受けられません。

保証修理の受け方

保証期間内であることの確認のため、製品購入時の領収書と共に、Honda汎用製品を扱っているディーラー又はOEM製品をお買い上げになったディーラーに製品をお持ちください。Hondaエンジンを修理する必要があるとそのディーラーが判断した場合は、保証修理が行われます。

INFORMATIONS SUR LA GARANTIE INTERNATIONALE DES MOTEURS A USAGE GENERAL Honda

Le moteur à usage général Honda installé sur ce matériel OEM est couvert par une garantie Honda dans les conditions suivantes:

- Les conditions de garantie sont conformes à celles pour le moteur à usage général établies par Honda pour chaque pays.
- Les conditions de garantie s'appliquent aux pannes de moteur causées par un problème de fabrication ou de spécification.
- La garantie ne s'applique pas aux pays où il n'existe pas de distributeur Honda.

Comment faire réparer votre matériel sous la garantie:

Amenez votre matériel OEM chez le revendeur s'occupant de matériels de puissance Honda ou chez le revendeur où vous avez acheté votre matériel, avec le reçu d'achat en main comme preuve que votre matériel est encore sous garantie. Si le revendeur estime que le moteur a besoin d'être réparé, la réparation aura lieu sous garantie.

INFORMATIONEN ZUR INTERNATIONALEN GARANTIE FÜR Honda-INDUSTRIEMOTOREN

Der in diesem Erstausrüster-Produkt installierte Honda-Industriemotor ist unter den nachfolgend aufgeführten Voraussetzungen von der Honda-Garantie abgedeckt.

- Die für Industriemotoren geltenden Garantiebestimmungen wurden von Honda für jedes Land festgelegt.
- Die Garantie gilt für Motordefekte, die durch einen Fabrikationsfehler oder inkorrekte Spezifikationen verursacht wurden.
- Die Garantie gilt nicht in Ländern, in denen kein Honda-Großhändler vorhanden ist.

Vorgehensweise bei einem Garantiefall:

Bringen Sie Ihr Erstausrüster-Produkt zu einem Honda-Händler für motorgetriebene Geräte oder zu Ihrem Verkaufshändler. Zum Beweis, daß das Produkt noch durch die Garantie abgedeckt ist, muß zu dieser Zeit der Verkaufsbeleg vorgelegt werden. Nachdem der Händler bestätigt, daß eine Reparatur des Motors erforderlich ist, werden die nötigen Garantiearbeiten ausgeführt.

INTERNATIONALE GARANTIE INFORMATIE VOOR Honda ALGEMEEN-GEbruik MOTOREN

De Honda algemeen-gebruik motor die op dit EOM product is gemonteerd, is gedekt door een Honda garantie, waarbij het volgende in acht moet worden genomen:

- De garantievoorwaarden voldoen aan die voor de algemeen-gebruik motoren opgesteld door Honda voor ieder land.
- De garantievoorwaarden zijn van toepassing op motordefecten die veroorzaakt zijn door fabricage- of specificatiefouten.
- De garantie geldt niet in landen waar geen Honda distributeur is.

Repareren van het product onder de garantie:

Breng uw OEM product naar een dealer die Honda algemeen-gebruik producten verkoopt of naar de dealer waarvan u het product heeft gekocht, tezamen met het bewijs van aankoop zodat de dealer kan zien dat het product nog onder de garantie is. Indien de dealer van oordeel is dat de motor gerepareerd moet worden, zal deze onder de garantie worden gerepareerd.

INFORMAZIONI SULLA GARANZIA INTERNAZIONALE PER I MOTORI Honda PER USO GENERICO

La garanzia Honda è applicabile sui motori Honda per uso generico che equipaggiano macchine prodotte da altri costruttori ed è assoggettata alle seguenti regole:

- Le condizioni di garanzia sono conformi a quelle per i motori per uso generico stabilite da Honda per ogni nazione.
- Le condizioni di garanzia si applicano da problemi del motore causati da qualsiasi problema di produzione o specifico.
- La garanzia non si applica alle nazioni nelle quali non è presente nessun rivenditore Honda.

Procedere per ottenere interventi in garanzia:

Portare il prodotto di altro costruttore dal rivenditore che tratta prodotti motorizzati Honda o dal rivenditore dal quale si è acquistato il prodotto, con la ricevuta fornita nel momento dell'acquisto, come prova che il prodotto è ancora in garanzia. Se il rivenditore ritiene che il motore necessita di riparazioni, verranno eseguite le riparazioni in garanzia.

INFORMACION SOBRE LA GARANTÍA INTERNACIONAL DE LOS MOTORES Honda DE USO GENERAL

El motor Honda de uso general instalado en este producto de fabricante de equipo original (OEM) está cubierto por una garantía de Honda, bajo las condiciones siguientes:

- Las condiciones de garantía conforman las de los motores de uso general establecidas por Honda para cada país.
- Las condiciones de garantía se aplican a las averías de motores causadas por un problema de fabricación o de especificaciones.
- La garantía no se aplica en los países en los que no haya ningún distribuidor de Honda.

Cómo hacer para que le reparen su producto en garantía:

Lleve su producto OEM al concesionario que comercializa productos motorizados Honda o al concesionario donde usted compró su producto, llevando el recibo que le entregaron en el momento de la compra como prueba de que su producto está todavía en garantía. Si el concesionario cree que hay que reparar el motor, se le realizará la reparación aplicando la garantía.

INFORMAÇÃO SOBRE A GARANTIA INTERNACIONAL PARA MOTORES Honda PARA USO GERAL

O motor Honda para uso geral neste produto OEM é coberto pela garantia Honda de acordo com os seguintes princípios:

- As condições da garantia conformam as condições de garantia para motores de uso geral estabelecidas pela Honda no país em questão.
- As condições da garantia são para falhas do motor causadas por qualquer problema de fabricação ou especificação.
- A garantia não é válida em países onde não há um distribuidor Honda.

Para obter o serviço sob a garantia:

Lleve o seu produto OEM para um revendedor que venda produtos montados com motor Honda ou ao revendedor onde comprou o produto, com o recibo que recebeu no ato da compra como uma evidência que o produto ainda está na garantia. Se o revendedor julgar que o motor precisa ser reparado, o reparo será realizado através da garantia.

本田通用发动机国际保修通知

该OEM产品中安装的本田通用发动机包含有下列前提下的本田保修承诺。

- 保修条件应符合本田针对各国制定的通用发动机的保修条件。
- 保修条件适用于因任何制造或规格问题所造成的发动机故障。
- 该保修不适用于无本田经销商的國家。

如何使您的产品得到保修修理:

將您的OEM產品送到辦理本田動力產品的經銷商或您購買該產品的經銷商, 出示購買時所得到的發票, 以證明您的產品仍在保修期內. 若經銷商斷定該發動機需要修理時, 就會得到保修修理。

ข้อมูลเกี่ยวกับประกันระหว่างประเทศ สำหรับเครื่องยนต์เบนประจําชนิดอื่น

เครื่องเบนประจําชนิดอื่นที่ได้รับการติดตั้งอยู่ในผลิตภัณฑ์ OEM นี้ ได้ถูกครอบคลุมอยู่ในการรับประกันของฮอนด้า ตามเงื่อนไขดังต่อไปนี้

- เงื่อนไขในการรับประกันนี้ให้สำหรับเครื่องยนต์เบนประจําชนิดอื่นที่ผลิตโดยฮอนด้าในแต่ละประเทศ
- เงื่อนไขในการรับประกันนี้จะรับประกันการเสียหายของเครื่องยนต์ที่มีสาเหตุใด ๆ ที่เกิดจากการผลิตหรือบริการปกติที่มีการระบุเฉพาะ
- การรับประกันนี้จะไม่ครอบคลุมถึงประเทศที่ไม่มีตัวแทนจำหน่ายฮอนด้า

การเข้ารับการซ่อมภายใต้เงื่อนไขการรับประกัน

นำผลิตภัณฑ์ OEM ของท่านไปยังผู้จำหน่ายผลิตภัณฑ์ที่มีการจัดตั้งหน่วยงานผลิตชิ้นส่วนเครื่องยนต์ฮอนด้าที่ท่านได้ทำการซื้อผลิตภัณฑ์นั้นพร้อมด้วยใบเสร็จรับเงินที่ท่านได้รับโดยหนังสือเป็นหลักฐานว่าผลิตภัณฑ์ของท่านอยู่ในช่วงระยะเวลาการรับประกันที่หาผู้จำหน่ายฮอนด้าท่านนั้นแล้วหรือหากไม่มีก็ไปที่การซ่อมเครื่องยนต์ที่ได้รับอนุญาตภายใต้เงื่อนไขการรับประกัน

INTERNATIONAL GARANTINFORMATION FOR Honda UNIVERSALMOTOREN

Honda universalmotoren, der er monteret på dette OEM-produkt, dækkes af en Honda-garanti under følgende forudsætninger.

- Garantibetingelserne er i overensstemmelse med dem, Honda har fastlagt for universalmotorer i hvert enkelt land.
- Garantibetingelserne gælder for motorer/forårsaget af fremstillinger- eller specifikationsproblemer.
- Garantien gælder ikke for lande, hvor der ikke findes en Honda-distributør.

Hvordan produktet kan repareret under garanti:

Indlevet OEM-produktet til forhandleren, der tager sig af eldrevne Honda-produkter eller forhandleren, som du købte produktet af, med kvitteringen som bevis på, at produktet stadig er under garanti. Hvis forhandleren vurderer, at motoren skal repareres, vil der blive udført en garantireparation.

ΠΛΗΡΟΦΟΡΙΕΣ ΠΟΥ ΑΦΟΡΟΥΝ ΤΗ ΔΙΕΘΝΗ ΕΓΓΥΗΣΗ ΓΙΑ ΤΟΥΣ ΚΙΝΗΤΡΕΣ ΓΕΝΙΚΗΣ ΧΡΗΣΗΣ της Honda

Ο Κινητήρας Γενικής Χρήσης της Honda που έχει τοποθετηθεί σε αυτό το προϊόν OEM (Original Equipment Manufacturer – Κατασκευαστής Πρωτότυπου Εξοπλισμού) καλύπτεται από εγγύηση της Honda, με τις παρακάτω προϋποθέσεις.

- Οι προϋποθέσεις της εγγύησης πηρούν εκκείνες που καλύπτουν τον κινητήρα γενικής χρήσης που διατίθεται από τη Honda σε κάθε χώρα.
- Οι προϋποθέσεις της εγγύησης ισχύουν για αστοχίες των κινητήρων που θα προκληθούν από οποιοδήποτε πρόβλημα προδιαγραφών κατασκευής.
- Η εγγύηση δεν ισχύει για τις χώρες όπου δεν υπάρχει διανομέας της Honda.

Πώς θα επισκευάσετε το προϊόν σας που καλύπτεται από εγγύηση:

Φέρτε το προϊόν OEM στην αντιπροσωπεία που διαθέτει τέτοιου είδους προϊόντα της Honda ή στο κατάστημα από όπου αγοράσατε το προϊόν, μαζί με την αποδείξει αγοράς, η οποία αποδεικνύει ότι το προϊόν σας παραμένει εντός εγγύησης. Εάν η αντιπροσωπεία κρίνει ότι ο κινητήρας χρειάζεται επισκευή, η επισκευή θα καλυφθεί από την εγγύηση.

INTERNASJONAL GARANTIINFORMASJON FOR Honda GENERAL PURPOSE ENGINES

Honda General Purpose Engine som er installert på dette OEM-produktet, er dekket av en Honda-garanti, på følgende antakelser.

- Garantibetingelsene oppfyller de for motorene til generell formål som er fastlagt av Honda for hvert land.
- Garantibetingelsene gjelder for motorsvikt forårsaket av ethvert produksjons- eller spesifikasjonsproblem.
- Garantien gjelder ikke i land der det ikke finnes noen Honda-distributør.

Hvordan du får produktet reparert på garanti:

Bring ditt OEM-produkt til forhandleren som forhandler Honda kraftprodukt eller forhandleren der du kjøpte produktet, med kvitteringen du mottok ved kjøpetidspunktet som bevis på at produktet ditt fortsatt er dekket av garantien. Hvis forhandleren mener at motoren har behov for å reparerer, vil det utføres garantireparasjon.

INFORMATION OM INTERNATIONELL GARANTI FÖR Honda-MOTORER FÖR ALLMÄNNA ÄNDAMÅL

Honda-motorn för allmänna ändamål som är monterad på denna OEM-produkt, täcks av en Honda-garanti under följande förutsättningar.

- Garantien kräver att man rättar sig efter de villkor för motorn för allmänna ändamål som fastslagits av Honda för respektive land.
- Garantivillkoren gäller för motorfel som orsakats av tillverknings- eller specifikationsproblem.
- Garantin gäller inte i länder där Honda inte har någon distributör.

Så här får du din produkt reparerad enligt garantin:

Ta din OEM-produkt till återförsäljaren som handlar med Honda-drivna produkter, eller återförsäljaren som du köpte din produkt av, tillsammans med kvittot som du fick vid köpet som ett bevis på att garantin fortfarande gäller för din produkt. Om återförsäljaren gör bedömningen att motorn måste reparaseras, kommer garantireparation att utföras.

INFORMAȚII DE GARANȚIE INTERNAȚIONALĂ PENTRU MOTORELE DE UZ GENERAL Honda

Motorul de uz general Honda montat pe acest produs OEM se află sub acoperirea garanției Honda, în baza următoarelor premise.

- Condițiile de garanție sunt conforme cu acelea pentru motorul de uz general stabilite de Honda pentru fiecare țară.
- Condițiile de garanție se aplică defectiunilor motorului cauzate de orice problemă de producție sau conceptie.
- Garanția nu se aplică în țările în care nu există distribuitor Honda.

Cum să procedați pentru repararea produsului aflat în garanție:

Aduceți produsul OEM la dealerul care se ocupă cu produsele electrice Honda sau la cel de la care ați achiziționat produsul, împreună cu chitanța pe care ați primit-o în momentul achiziției, ca dovadă că produsul se află încă în garanție. Dacă dealerul apreciază că motorul trebuie reparat, vor fi efectuate reparații sub efectul garanției.

Hondan YLEISMOOTTORREITA KOSKEVIA KANSAINVÄLISIÄ TAKUUITIETOJA

Tähän OEM-tuotteeseen asennettu Hondan yleismoottori kuuluu Hondan takuu piiriin seuraavin ehdoin:

- Takuehdot ovat yhdenmukaiset yleismoottorin takuehtojen kanssa, jotka Honda on laatinut kullekin maalle.
- Takuehdot koskevat valmistusvirheistä tai laatuviasta johtuvia moottorivikoja.
- Takuu ei ole voimassa maissa, joissa ei ole Honda-jälleenmyyjää.

Kuinka tuote korjautetaan takuu pulteissa

Tuo OEM-tuote jälleenmyyjälle, joka hoitaa Hondan-moottorilla varustettuja tuotteita tai jolta ositt tuotteita, sekä ostokuitit todisteeksi tuotteen takuun voimaasalosta. Jos jälleenmyyjän mukaan moottori täytyy korjata, se tehdään takuukorjauksena.

INFORMACE O MEZINÁRODNÍ ZÁRUCĚ PRO UNIVERZÁLNÍ MOTORY Honda

Univerzální motor Honda namontovaný na tento výrobek typu OEM je krytý zárukou společnosti Honda za následujících předpokladů.

- Záruční podmínky jsou v souladu se záručními podmínkami univerzálního motoru stanovenými společností Honda pro každou zemi.
- Záruční podmínky se vztahují na závady motoru způsobené výrobní nebo technickou vadou.
- Zárka se nevztahuje na země, ve kterých není žádný distributor Honda.

Jak si nechat opravit výrobek krytý zárukou:

Odvezte váš OEM výrobek k prodejci, který prodává motorové stroje Honda nebo k prodejci, od kterého jste výrobek koupili, s sebou vezměte doklad, který jste obdrželi při koupi, na důkaz toho, že výrobek je stále krytý zárukou. Pokud prodejce usoudí, že motor je nutné opravit, bude provedena záruční oprava.

INFORMACJE NA TEMAT MIĘDZYNARODOWEJ GWARANCJI NA UNIWERSALNE SILNIKI Honda

Uniwersalny silnik Honda zamontowany w tym produkcie OEM jest objany gwarancją firmy Honda zgodnie z poniższymi założeniami.

- Warunki gwarancji odpowiadają warunkom dla uniwersalnego silnika Honda ustalonym przez firmę Honda dla poszczególnych krajów.
- Warunki gwarancji odnoszą się do usterek silnika spowodowanych nieodpowiednim wykonaniem lub danymi technicznymi.
- Gwarancja nie obowiązuje w krajach, w których nie ma dystrybutorów firmy Honda.

Oddanie produktu do naprawy gwarancyjnej:

Należy dostarczyć produkt OEM do dealera zajmującego się rozprawdaniem podzespołów napędowych Honda, u którego został zakupiony produkt oraz okazać pokwitowanie otrzymane w chwili zakupu na poświadczanie faktu, że jest on objany gwarancją. Jeśli dealer uzna, że silnik wymaga naprawy, zostanie przeprowadzona naprawa gwarancyjna.

Honda ÁLTALÁNOS CÉLŰ MOTOROKRA VONATKOZÓ NEMZETKÖZI JÓTÁLLÁSI INFORMÁCIÓK

Az erre az OEM terméket szerelt Honda általános célú motorra a Honda jótállása vonatkozik, a következő feltételek teljesülése mellett:

- A jótállási feltételek összhangban vannak a Honda által adott országában alkalmazott általános célú motorokra vonatkozó jótállási feltételekkel.
- A jótállási feltételek oylan motorhibára vonatkoznak, melyet gyártási hiba vagy a műszaki specifikációból adódó hiba okozott.
- A jótállás nem érvényes azokban az országokban, ahol nincs hivatalos Honda viszonteladó.

Hogyan járjon el, ha jótállás alatt lévő terméké garanciális javításra szorul:

Vigye az OEM terméket egy olyan viszonteladóhoz, aki Honda gépek forgalmazásával foglalkozik vagy, ahhoz a viszonteladóhoz, akitől a termékét megvásárolta, és vigye magával a számlát, melyet a termék vásárlásakor kapott. Ezzel a számlával igazolja, hogy a termék a jótállási időn belül van. Ha a viszonteladó úgy ítéli meg, hogy a motorot javítani kell, a javítás a garanciális feltételek szerint történik.

INFORMACIJA PAR Honda UNIVERSÁLO DZINĚJU STARPTAUTISKO GARANTĪJU

Uz Honda universálo dzinēju, kas uzstādīts uz šī OEM produkta, attiecas Honda garantija, nemot vērā sekojošos pieņēmumus.

- Garantijas nosacījumi atbilst nosacījumiem, kurus Honda ir noteikusi universālajiem dzinējiem katrā valstī.
- Garantijas noteikumi attiecas uz dzinēja attiecī, kas radusies ražošanas vai specifikāciju problēmas rezultātā.
- Šī garantija neattiecas uz valstīm, kurās nav Honda izplatītāju.

Kā salabot jūsu produktu garantijas ietvaros:

Nogādājiet savu OEM produktu piegādātājam, kas atbild par Honda jaudas ierīcēm, vai piegādātājam, no kura jūs iegādājāties produktu, ar precīzi iegādās čeku kā pierādījumu tam, ka uz jūsu produktu attiecas garantijas apkalpošana. Ja izplatītājs nolemj, ka dzinējs ir jāsalabo, tiks veikts garantijas remonts.

INFORMÁCIE O MEDZINÁRODNEJ ZÁRUCĚ NA UNIVERZÁLNÉ MOTORY Honda

Na univerzálny motor Honda použitý v tomto OEM výrobku sa vzťahujú záruka poskytovaná spoločnosťou Honda, ak sú splnené nasledujúce podmienky:

- Záručné podmienky sú v súlade so záručnými podmienkami pre univerzálny motor stanovenými spoločnosťou Honda pre konkrétne krajiny.
- Záručné podmienky sa vzťahujú na poruchy motora spôsobené výrobnou chybou alebo nedosiahovaním stanovených technických parametrov.
- Zárka sa nevztahuje na krajiny, v ktorých nepôsobí žiaden predajca značky Honda.

Ako postupovať pri uplatňovaní záručnej opravy:

Priveďte svoj OEM výrobok predajcovi motorových výrobkov Honda alebo predajcovi, ktorý vám výrobok predal. Ako dôkaz, že na výrobok sa stále vzťahuje záruka, si so sebou prineste doklad o kúpe, ktorý vám bol vystavený v čase kúpy. Ak predajca rozhodne, že motor vyžaduje opravu, vykoná sa záručná oprava.

MEDNARODNE GARANCIJSKE INFORMACIJE ZA VEČNAMENSKE MOTORJE Honda

Večnamenski motor Honda, ki je vgrajen v tem izdelku OEM, krije garancija Honda pod naslednjimi pogoji:

- Garancijski pogoji so skladni s pogoji za večnamenske motorje, ki jih je družba Honda določila za vsako državo.
- Garancijski pogoji veljajo za odgovodi motorja, ki so nastale zaradi napak v proizvodnji ali načrtovanju.
- Garancija ne velja za države, kjer ni distributorja Honda.

Kako uveljavite garancijsko popravilo izdelka:

Svoj izdelek OEM prinesite prodajalcu motornih izdelkov Honda ali prodajalcu, pri katerem ste kupili svoj izdelek, in predložite potrdilo o nakupu kot dokazilo, da je izdelek še v garancijskem roku. Če prodajalec presodi, da je treba motor popraviti, bo opravljen garancijsko popravilo.

ИНФОРМАЦИЯ ЗА МЕЖДУНАРОДНАТА ГАРАНЦИЯ НА ДВИГАТЕЛИТЕ Honda С ОБЩО ПРЕДНАЗНАЧЕНИЕ

Двигателят Honda с общо предназначение, монтиран на този продукт, е покрит под гаранцията, се покрива от гаранцията на Honda при следните условия.

- Гаранционните условия съответстват на установените от Honda за двигателите с общо предназначение за всяка държава.
- Гаранцията покрива всички повреди на двигателя, причинени от проблеми при производството или проблеми с техническите характеристики.
- Гаранцията е невалидна в държави, в които няма официален дистрибутор на Honda.

Как да ремонтирате Вашия продукт в рамките на гаранцията:

Занесете Вашия продукт на дилъра, който търгува с двигатели Honda или на дилъра, от който сте закупили продукта, заедно с квитанцията, получена при покупката, като доказателство, че той все още е в гаранция. Ако дилърът прецени, че двигателят се нуждае от ремонт, на същия цвят ще бъде извършен гаранционен ремонт.

INFORMATSIOON Honda ÜLDOTSTAR-BELISTE MOOTORITE RAHVUSVAHELISE GARANTII KOHTA

Sellele lõpptootjale tootele (OEM-tootele) on paigaldatud Honda üldotstarbeline mootor, millele kehtib Honda garantii järgmistel eeldustel.

- Garantitingimused vastavad üldotstarbeliste mootorite nendele garantiidele, mis on kehtestatud Honda poolt iga riigi jaoks.
- Garantiairngimusi rakendatakse mootoririkele, mis on põhjustatud mistahes tootmisvea või nõuete mittevastavusest.
- Garantii ei kehti riikides, kus Honda maaletooja puudub.

Garantii ajal tehke oma rikkis tootega järgmist.

Tooge oma OEM-toode Honda mootorite edasimüüjale või edasimüüjale, kellelt te oma toote ostsite, lisades ostmise ajal saadud kvitungi, millega on tõestatud, et tootele kehtib garantii. Garantiremont tehakse siis, kui edasimüüja otsustab, et remont on vajalik.

TARPTAUTINĖS GARANTIJOS INFORMACIJA „HONDA“ BENDROSIOS PASKIRTIES VARKLIAMS

„Honda“ bendrosios paskirties variklams, įdiegtiems šiame OEM išdelyje, taikoma „Honda“ garantija, jei yra laikomasi šių sąlygų:

- Bendrosios paskirties variklio garantijos sąlygos atitinka tas, kurias „Honda“ nustatė kiekvienai šaliai.
- Garantinis sąlygos taikomos variklio gedimams, kurie kilo dėl gamybinio ar specifikacijos klaidų.
- Garantija netaikoma tose šalyse, kuriose nėra „Honda“ platintojo.

Gaminio garantinis taisymas:

Pristatykite savo OEM gaminį „Honda“ gaminijų platintojui arba pardavėjui, iš kurio pirkeite savo gaminį, kartu su pirkinio metu įteiktu čekiu, kuris yra pirkinio ir garantijos taikymo įrodymas. Pardavėjui nusprendus, kad variklį reikia remontuoti, atliekamas garantinis remontas.

ИНФОРМАЦИЯ ПО МЕЖДУНАРОДНЫМ ГАРАНТИЙНЫМ ОБЯЗАТЕЛЬСТВАМ, ОТНОСЯЩИМСЯ К ДВИГАТЕЛЯМ Honda ОБЩЕГО НАЗНАЧЕНИЯ

Двигатель Honda общего назначения, установленный на данном OEM-изделии, подпадает под гарантийные обязательства компании Honda при соблюдении указанных ниже условий.

- Условия гарантийного обслуживания соответствуют условиям, принятым для двигателей Honda общего назначения в каждой из стран.
- Условия гарантийного обслуживания распространяются на все неисправности двигателей, связанные с ненадлежащим качеством изготовления или комплектацией.
- Гарантийные обязательства не распространяются на страны, где нет дистрибьюторов компании Honda.

КАК ОСУЩЕСТВИТЬ ГАРАНТИЙНЫЙ РЕМОНТ ВАШЕГО ИЗДЕЛИЯ

Доставьте ваше OEM-изделие в сервисный центр компании Honda, который авторизован для работы с двигателями общего назначения, или к дилеру, который продал вам это изделие, вместе с собой документы, подтверждающие, что срок его гарантийного обслуживания не истек. Если представитель дилера установит, что изделие нуждается в ремонте, он будет осуществлен в рамках гарантийного обслуживания.

HONDA

The Power of Dreams



Printed on
Recycled Paper